



Chipsmall Limited consists of a professional team with an average of over 10 year of expertise in the distribution of electronic components. Based in Hongkong, we have already established firm and mutual-benefit business relationships with customers from,Europe,America and south Asia,supplying obsolete and hard-to-find components to meet their specific needs.

With the principle of “Quality Parts,Customers Priority,Honest Operation,and Considerate Service”,our business mainly focus on the distribution of electronic components. Line cards we deal with include Microchip,ALPS,ROHM,Xilinx,Pulse,ON,Everlight and Freescale. Main products comprise IC,Modules,Potentiometer,IC Socket,Relay,Connector.Our parts cover such applications as commercial,industrial, and automotives areas.

We are looking forward to setting up business relationship with you and hope to provide you with the best service and solution. Let us make a better world for our industry!



Contact us

Tel: +86-755-8981 8866 Fax: +86-755-8427 6832

Email & Skype: info@chipsmall.com Web: www.chipsmall.com

Address: A1208, Overseas Decoration Building, #122 Zhenhua RD., Futian, Shenzhen, China



THIS DRAWING IS UNPUBLISHED.

RELEASED FOR PUBLICATION

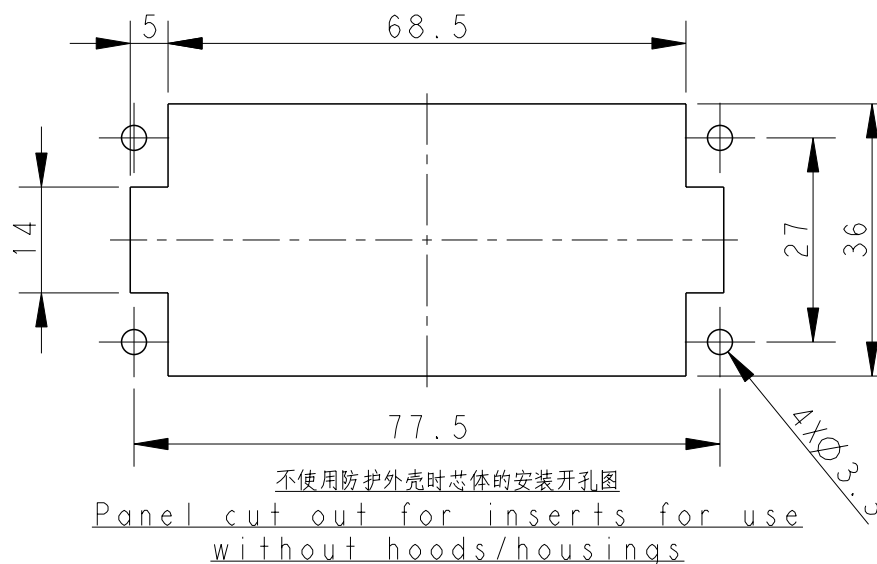
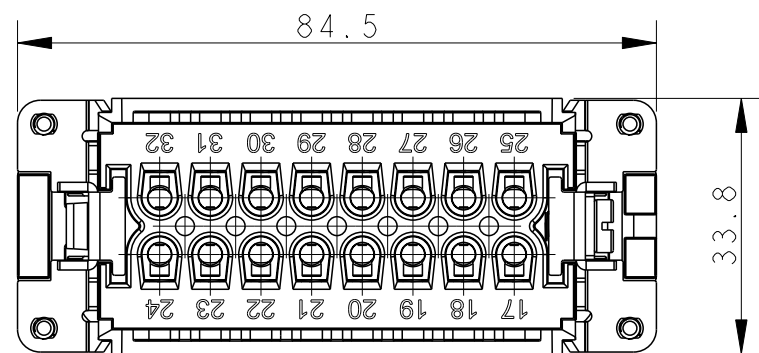
20

© COPYRIGHT 20 BY -

ALL RIGHTS RESERVED.

REVISIONS

| P | LTR | DESCRIPTION | DATE | DWN | APVD |
|---|-----|-----------------|-----------|-----|------|
| A | | INITIAL RELEASE | 20APR2015 | GY | CW |
| B | | ECR-15-013759 | 28SEP2015 | DW | CW |

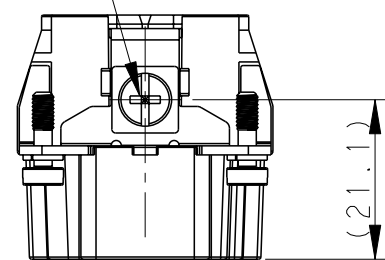
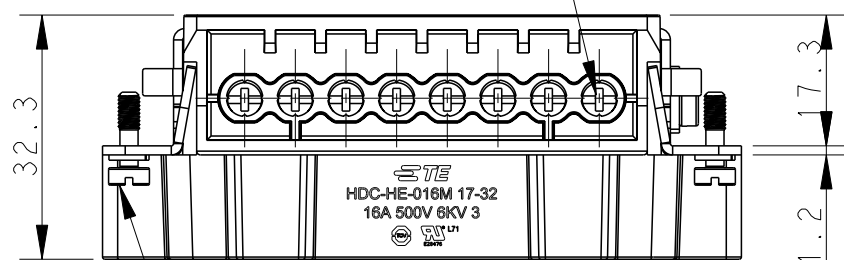


NOTES:

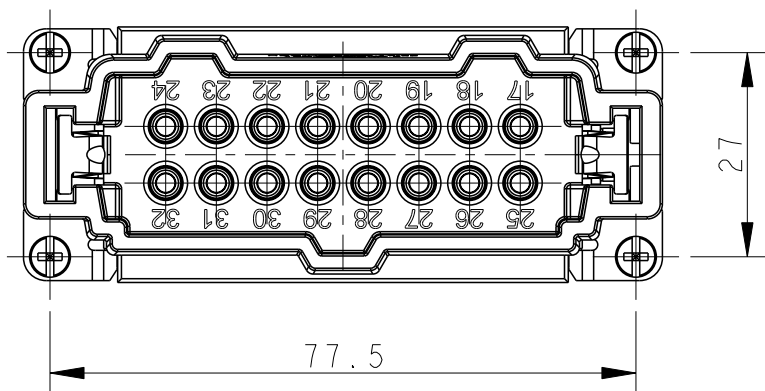
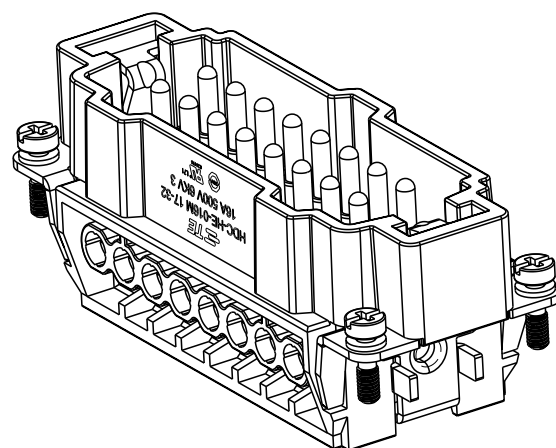
- 1. TECHNICAL CHARACTERISTICS:
 - INSULATION MATERIAL: PC
 - RATED VOLTAGE: 500V
 - RATED CURRENT: 16A
 - INSULATION RESISTANCE: $\geq 400M\Omega$
 - RATED IMPULSE VOLTAGE: 6KV
 - POLLUTION DEGREE: 3
 - FLAMMABILITY: UL94V-0
 - MATING CYCLES: 500 CYCLES
 - OPERATION TEMPERATURE: $-40^{\circ}C \sim +125^{\circ}C$
 - WIRE RANGE: $0.5mm^2 \sim 2.5mm^2$ (AWG20-AWG14)
 - CONTACT TYPE: SCREW CLAMP (M3)

16 X M3 screw,
recommended tightening
torque 0.5Nm

M4 screw, recommended
tightening torque 1.2Nm



4 X M3 screw, recommended
tightening torque 0.5Nm



注释:

- 1. 技术参数:
 - 绝缘材料: PC
 - 额定电压: 500V
 - 额定电流: 16A
 - 绝缘电阻: $\geq 400M\Omega$
 - 脉冲电压: 6KV
 - 污染等级: 3
 - 阻燃等级: UL94V-0
 - 插拔次数: 500 次
 - 工作温度: $-40^{\circ}C \sim +125^{\circ}C$
 - 接线范围: $0.5mm^2 \sim 2.5mm^2$ (AWG20-AWG14)
 - 接线类型: 螺丝压接 (M3)

| | |
|----------------|-----------------|
| HE-016-M 17-32 | T2040322101-000 |
| DESCRIPTION | PART NUMBER |

| | | | | | | | | | | | | | | | |
|--|--------|------------------|------------|-------------------------------|------------------------|------------------|---------------|-------|----|-------|----|-------|----|--------|----|
| THIS DRAWING IS A CONTROLLED DOCUMENT. | | DWN | 21APR2015 | STE TE Connectivity | NAME HE-016-M 17-32 | | | | | | | | | | |
| DIMENSIONS: mm | | CHK | 21APR2015 | | | | | | | | | | | | |
| TOLERANCES UNLESS OTHERWISE SPECIFIED: | | APVD | 21APR2015 | | | | | | | | | | | | |
| <table border="0"> <tr><td>0 PLC</td><td>±-</td></tr> <tr><td>1 PLC</td><td>±-</td></tr> <tr><td>2 PLC</td><td>±-</td></tr> <tr><td>3 PLC</td><td>±-</td></tr> <tr><td>4 PLC</td><td>±-</td></tr> <tr><td>ANGLES</td><td>±-</td></tr> </table> | | 0 PLC | ±- | | | 1 PLC | ±- | 2 PLC | ±- | 3 PLC | ±- | 4 PLC | ±- | ANGLES | ±- |
| 0 PLC | ±- | | | | | | | | | | | | | | |
| 1 PLC | ±- | | | | | | | | | | | | | | |
| 2 PLC | ±- | | | | | | | | | | | | | | |
| 3 PLC | ±- | | | | | | | | | | | | | | |
| 4 PLC | ±- | | | | | | | | | | | | | | |
| ANGLES | ±- | | | | | | | | | | | | | | |
| MATERIAL | FINISH | APPLICATION SPEC | 114-137044 | SIZE | CAGE CODE | DRAWING NO | RESTRICTED TO | | | | | | | | |
| - | - | WEIGHT | - | A3 | 00779 | C-T2040322101000 | - | | | | | | | | |
| Customer Drawing | | | | SCALE | 1:1 | SHEET | 1 OF 1 | REV | B | | | | | | |