



Chipsmall Limited consists of a professional team with an average of over 10 year of expertise in the distribution of electronic components. Based in Hongkong, we have already established firm and mutual-benefit business relationships with customers from,Europe,America and south Asia,supplying obsolete and hard-to-find components to meet their specific needs.

With the principle of “Quality Parts,Customers Priority,Honest Operation,and Considerate Service”,our business mainly focus on the distribution of electronic components. Line cards we deal with include Microchip,ALPS,ROHM,Xilinx,Pulse,ON,Everlight and Freescale. Main products comprise IC,Modules,Potentiometer,IC Socket,Relay,Connector.Our parts cover such applications as commercial,industrial, and automotives areas.

We are looking forward to setting up business relationship with you and hope to provide you with the best service and solution. Let us make a better world for our industry!



Contact us

Tel: +86-755-8981 8866 Fax: +86-755-8427 6832

Email & Skype: info@chipsmall.com Web: www.chipsmall.com

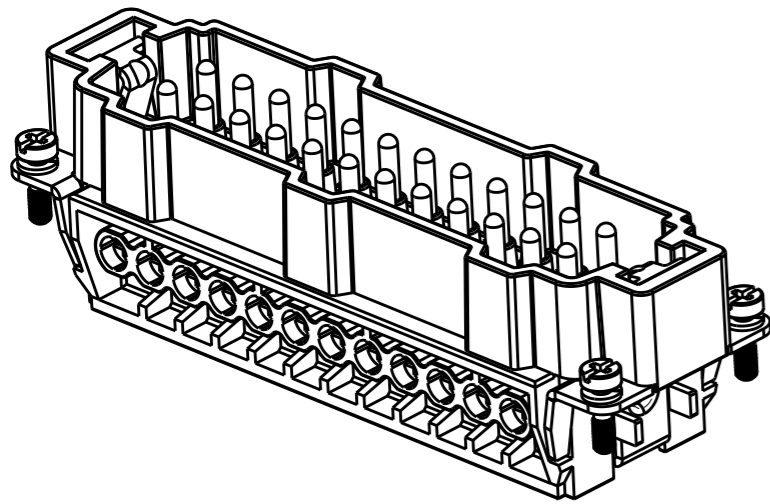
Address: A1208, Overseas Decoration Building, #122 Zhenhua RD., Futian, Shenzhen, China



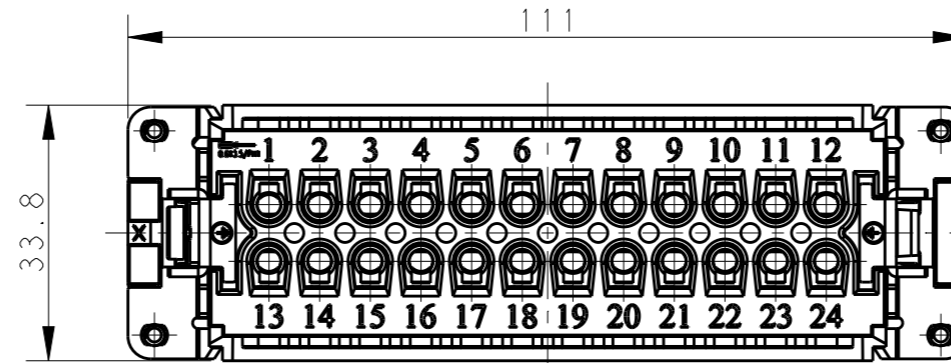
THIS DRAWING IS UNPUBLISHED. RELEASED FOR PUBLICATION 20
 © COPYRIGHT 20 BY - ALL RIGHTS RESERVED.

REVISIONS

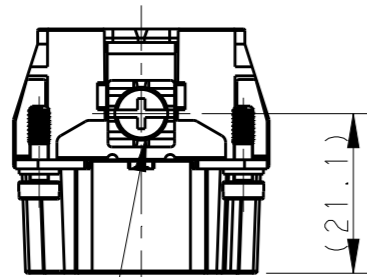
P	LTR	DESCRIPTION	DATE	DWN	APVD
A		INITIAL	05JAN2015	GY	CW
A1		ECR-15-004309	24MAR2015	GY	CW
B		ECR-15-013759	26SEP2015	DW	CW
B1		ECR-16-011988	27AUG2016	YC	CW



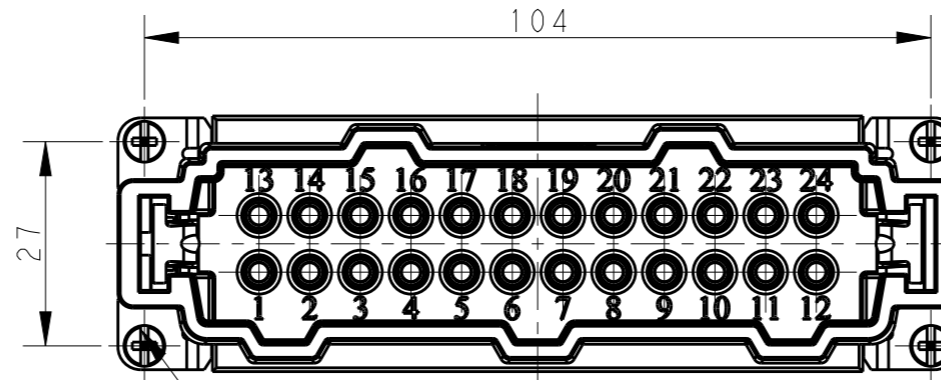
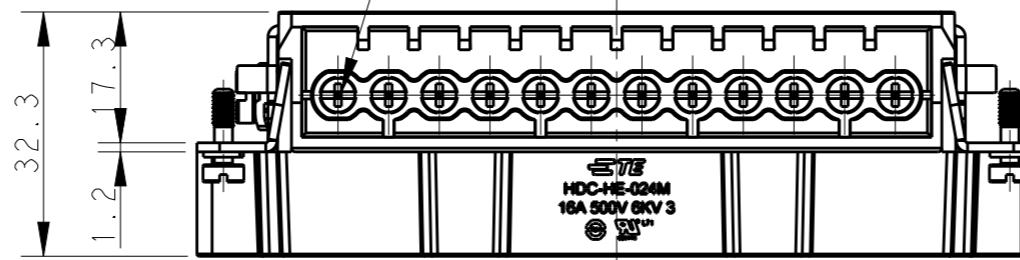
TYPE 1, T2040242101-000, WITH LOGO
 类型 1, T2040242101-000, 带LOGO



24X M3 SCREW, RECOMMENDED
 TIGHTENING TORQUE 0.5Nm
 24X M3螺丝, 推荐锁紧力矩0.5Nm



M4 SCREW, RECOMMENDED
 TIGHTENING TORQUE 1.2Nm
 M4螺丝, 推荐锁紧力矩1.2Nm



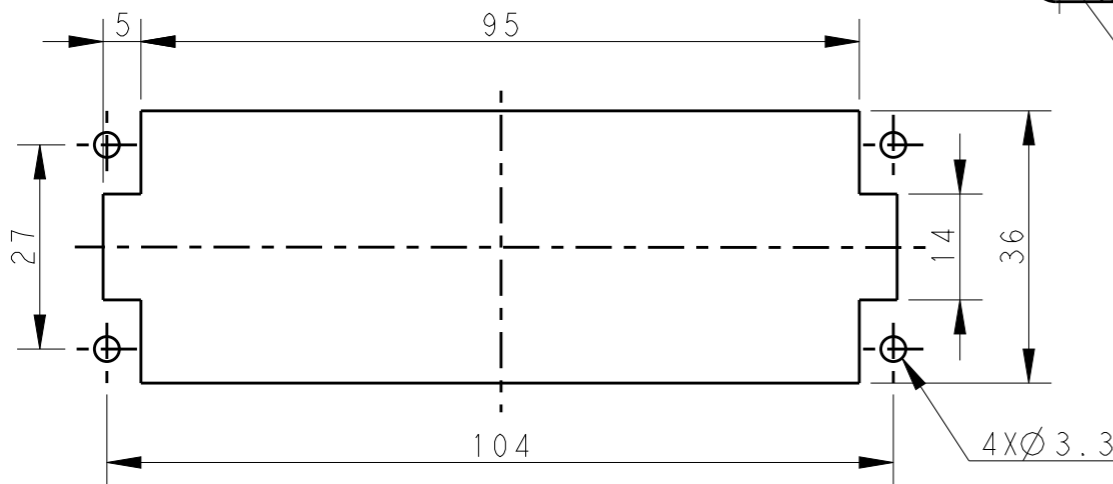
4X M3 SCREW, RECOMMENDED
 TIGHTENING TORQUE 0.5Nm
 4X M3螺丝, 推荐锁紧力矩0.5Nm

NOTES:

- TECHNICAL CHARACTERISTICS:
 INSULATION MATERIAL: PC
 RATED VOLTAGE: 500V
 RATED CURRENT: 16A
 INSULATION RESISTANCE: $\geq 400M\Omega$
 RATED IMPULSE VOLTAGE: 6KV
 POLLUTION DEGREE: 3
 FLAMMABILITY: UL94V-0
 MATING CYCLES: 500 CYCLES
 WIRE RANGE: $0.5mm^2 \sim 2.5mm^2$ (AWG20-AWG14)
 CONTACT TYPE: SCREW CLAMP (M3)

注释:

- 技术参数:
 绝缘材料: PC
 额定电压: 500V
 额定电流: 16A
 绝缘电阻: $\geq 400M\Omega$
 脉冲电压: 6KV
 污染等级: 3
 阻燃等级: UL94V-0
 插拔次数: 500 次
 接线范围: $0.5mm^2 \sim 2.5mm^2$ (AWG20-AWG14)
 接线类型: 螺丝压接 (M3)



PANEL CUT FOR INSERTS FOR USE
 WITHOUT HOODS/ HOUSINGS
 不使用防护外壳时芯件的安装开孔图

THIS DRAWING IS A CONTROLLED DOCUMENT.		DWN GINO YAO 12AUG2014	TE Connectivity	
DIMENSIONS: mm		CHK CHRIS WANG 12AUG2014		
TOLERANCES UNLESS OTHERWISE SPECIFIED:		APVD XIANG XU 12AUG2014	NAME HE-024-M	
0 PLC ±-		PRODUCT SPEC 108-137044	SIZE A3	
1 PLC ±-		APPLICATION SPEC 114-137044	CAGE CODE 00779	DRAWING NO. T2040242101000
2 PLC ±-		WEIGHT -	RESTRICTED TO -	
3 PLC ±-		CUSTOMER DRAWING	SCALE 1:1	SHEET 1 OF 2
4 PLC ANGLES ±-				REV B1
FINISH -				

4

3

2

1

THIS DRAWING IS UNPUBLISHED.

RELEASED FOR PUBLICATION

20

© COPYRIGHT 20 BY -

ALL RIGHTS RESERVED.

REVISIONS

P	LTR	DESCRIPTION	DATE	DWN	APVD
		SEE SHEET 1			

NOTE:
ALL SPEC REFER TO TYPE 1

注释:
所有产品规范参照 TYPE 1

TYPE 2, T2040242101-001, WITHOUT LOGO
类型 2, T2040242101-001, 不带LOGO

T2040242101-000	HE-024-M	HE-024 MALE INSERT HE-024 公插	TYPE 1
T2040242101-001	HE-024-M	HE-024 MALE INSERT, WITHOUT LOGO HE-024 公插, 无LOGO	TYPE 2
PART NUMBER 料号	PART DESCRIPTION 描述		TYPE 类型

THIS DRAWING IS A CONTROLLED DOCUMENT.

DIMENSIONS:

mm

TOLERANCES UNLESS OTHERWISE SPECIFIED:

0 PLC	±-
1 PLC	±-
2 PLC	±-
3 PLC	±-
4 PLC	±-
ANGLES	±-
FINISH	-

MATERIAL

-

FINISH

-

DWN 12AUG2014

GINO YAO

CHK 12AUG2014

CHRIS WANG

APVD 12AUG2014

XIANG XU

PRODUCT SPEC

108-137044

APPLICATION SPEC

114-137044

WEIGHT

-

CUSTOMER DRAWING

TE Connectivity

NAME

HE-024-M

SIZE

A3

CAGE CODE

00779

DRAWING NO

T2040242101000

RESTRICTED TO

-

SCALE 1:1

SHEET 2 OF 2

REV B1

1470-19 (3/13)