



Chipsmall Limited consists of a professional team with an average of over 10 year of expertise in the distribution of electronic components. Based in Hongkong, we have already established firm and mutual-benefit business relationships with customers from,Europe,America and south Asia,supplying obsolete and hard-to-find components to meet their specific needs.

With the principle of “Quality Parts,Customers Priority,Honest Operation,and Considerate Service”,our business mainly focus on the distribution of electronic components. Line cards we deal with include Microchip,ALPS,ROHM,Xilinx,Pulse,ON,Everlight and Freescale. Main products comprise IC,Modules,Potentiometer,IC Socket,Relay,Connector.Our parts cover such applications as commercial,industrial, and automotives areas.

We are looking forward to setting up business relationship with you and hope to provide you with the best service and solution. Let us make a better world for our industry!



Contact us

Tel: +86-755-8981 8866 Fax: +86-755-8427 6832

Email & Skype: info@chipsmall.com Web: www.chipsmall.com

Address: A1208, Overseas Decoration Building, #122 Zhenhua RD., Futian, Shenzhen, China



AMPHENOL P/N:

AMPHENOL P/N	PCB THICKNESS DIM "T"	DIM 'A'	DIM 'B'
HE11-RDA-101-3	.062"[1.57]	.053"[1.35]	.053±.010"[1.35±0.25mm]
HE11-RDA-101-3-C	.062"[1.57]	.053"[1.35]	.053±.010"[1.35±0.25mm]
HE11-RDA-101-3-CT	.062"[1.57]	.053"[1.35]	.053±.010"[1.35±0.25mm]
HE11-RDA-101-4	.093"[2.36]	.081"[2.05]	.064±.010"[1.62±0.25mm]
HE11-RDA-101-4-C	.093"[2.36]	.081"[2.05]	.064±.010"[1.62±0.25mm]
HE11-RDA-101-4-CT	.093"[2.36]	.081"[2.05]	.064±.010"[1.62±0.25mm]

PART NUMBER SYSTEM:

HE1 1 - R D A - 1 0 1 - X - X X

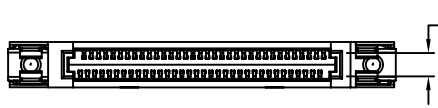
OPTIONS:
1= WITH SCREWLOCKS

BLANK= WITHOUT PLUG & WITH TUBE PACKAGING;
C = WITH PLUG & TUBE PACKAGING;
CT= WITH PLUG & TAPE & REEL PACKAGING

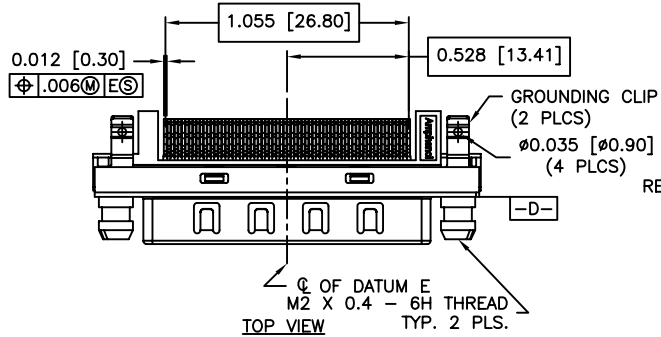
OPTIONS:
3= FOR 0.062" THICK PCB
4= FOR 0.093" THICK PCB



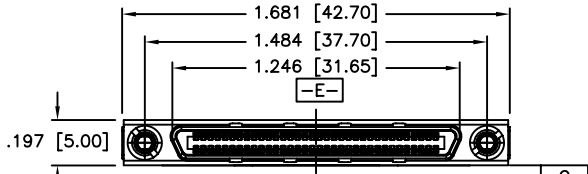
REVISIONS			
REV.	DESCRIPTION	DATE	APPROVED
A	PROPOSAL DRAWING	MAY31-07	LCHAM
B	ECN E07376	OCT22/07	LCHAM
C	PROPOSAL DRAWING	JAN 18	LC
D	CHANGE DIM FROM 0.031(0.80) TO 0.0315(0.80)	MAY 18/09	AG



BACK VIEW

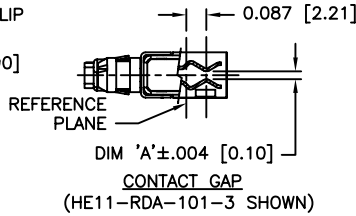


TOP VIEW

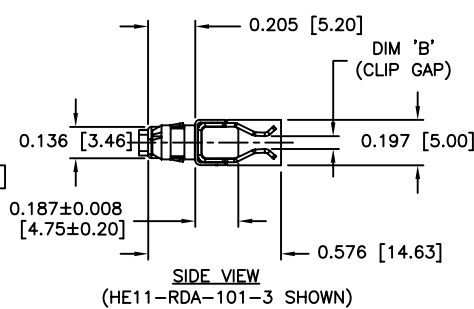


FRONT VIEW
(HE11-RDA-101-3 SHOWN)

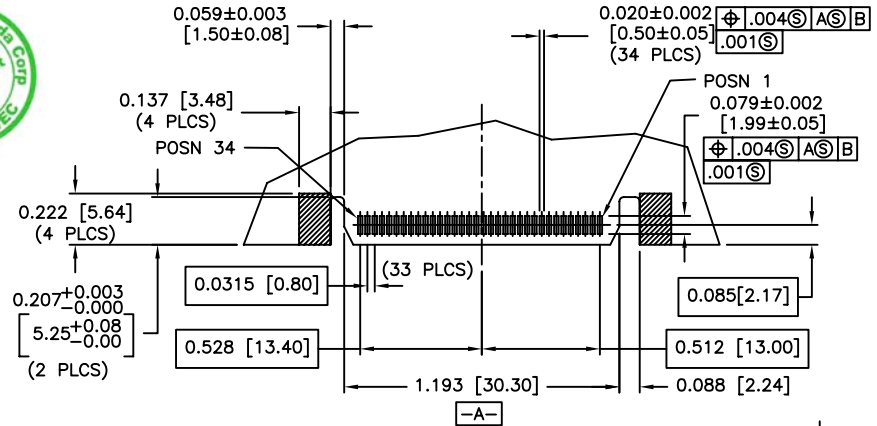
NOTE:
PLASTIC HOUSING: GLASS FILLED THERMOPLASTIC, FLAMMABILITY RATING UL 94V-0, COLOUR: BLACK
CONTACTS: PHOSPHOR BRONZE
30 u" [0.76 MICRONS] GOLD OVER
50 u" [1.27 MICRONS] NICKEL.
150 u"~ 300u" [3.75~7.50 MICRONS]
MATTE TIN OVER NICKEL IN SOLDER TAIL AREA.
SHELL: STEEL, NICKEL PLATED.
SCRAWLOCK: STEEL, NICKEL PLATED.
GROUNDING CLIP: COPPER ALLOY , 150u" (3.75 MICRONS)
MATTE TIN OVER 50u" (1.27 MICRONS) NICKEL
REFLOW: 6u" (0.15 MICRONS) MIN. SOLDER PASTE ON
P.C. BOARD REQUIRED FOR REFLOW PROCESS.



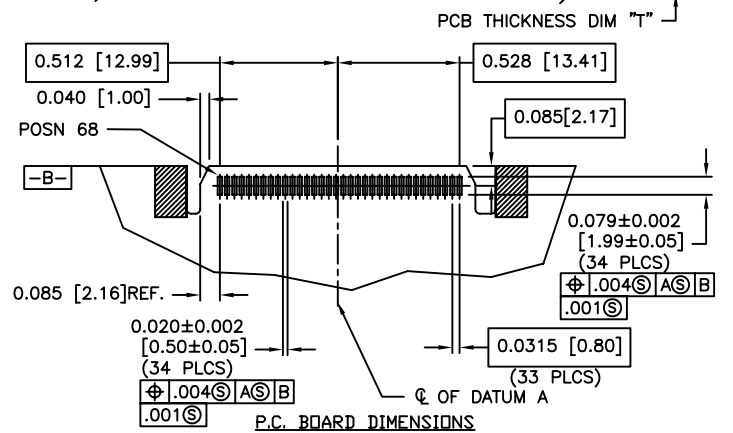
SIDE VIEW
(HE11-RDA-101-3 SHOWN)



PANEL CUTOUT DIMENSIONS



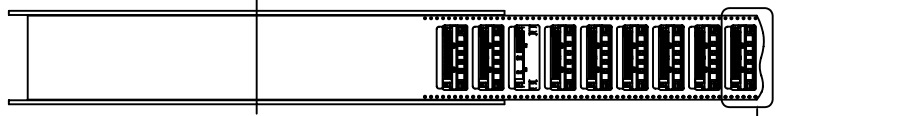
P.C. BOARD DIMENSIONS



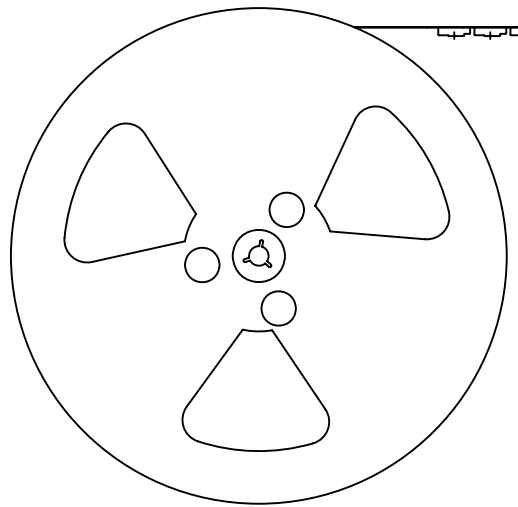
UNLESS OTHERWISE SPECIFIED DIMENSIONS ARE IN INCHES		APPROVALS	DATE	Amphenol Canada Corp.	
DRAWN	LUO.WW	REVISION	MAY31-07	TITLE	
CHECKED	MT.chen	BY APPS	MAY31-07	VHDCI STRADDLE MOUNT RECEPTACLE, RoHS COMPLIANT	
NATERIAL AND FINISH	SEE NOTES	DATE	MAY31-07	SIZE	
REF.		BY APPS		DWG. NO.	P-HE11-RDA-101-X-XX
CODE IDENT. NO.	03554	DWG APPS		SCALE	2 = 1
				PROJECT	RDA
				SHEET	1 OF 2

DO NOT SCALE DRAWING OR USED FOR MANUFACTURING PURPOSES WITHOUT PERMISSION FROM AMPHENOL CANADA CORP.

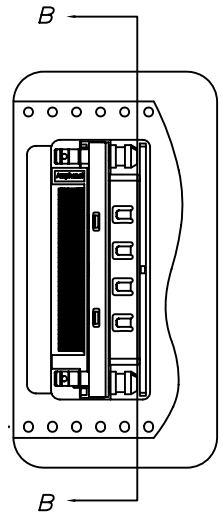
REVISIONS			
REV.	DESCRIPTION	DATE	APPROVED
A	PROPOSAL DRAWING	MAY31-07	LCHN
B	EON E07376	OCT28/07	LCHN
C	PROPOSAL DRAWING	JAN 18/08	LC
D	CHANGE DIM FROM 0.230(0.80) TO 0.235(0.80)	MAY 18/09	AG



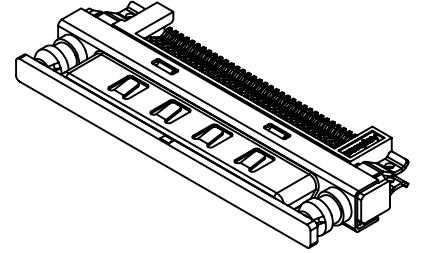
SEE DETAIL 'A'



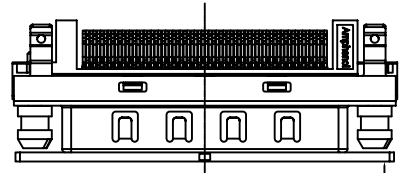
TAPE AND REEL PACKAGING DETAIL
REEL WITH CARRIER TAPE & COVER
REEL NOT EXACTLY AS SHOWN



SECTION 'B-B'



FINISHED CONNECTOR
(HE11-RDA-101-X-CX SHOWN)



PLUG COVER TO BE
REMOVED AFTER
CONNECTOR SOLDERED
INTO THE PCB



PACKAGING NOTES:

- REEL DETAILS:
 - O.D.: 330.00 [12.992].
 - THICKNESS: 56.8 [2.236].
 - CONNECTORS PER REEL: 496.
- TAPE & REEL PACKAGING IS IN COMPLIANCE WITH EIA 481.

DO NOT SCALE DRAWING
OR USED FOR MANUFACTURING PURPOSES WITHOUT PERMISSION FROM AMPHENOL CANADA CORP.

UNLESS OTHERWISE SPECIFIED DIMENSIONS ARE IN INCHES		APPROVALS	DATE	Amphenol Canada Corp.	
DESIGNED	LUO WW		MAY31-07	TITLE	
CHECKED	MT.chen		MAY31-07	VHDCI STRADDLE MOUNT RECEPTACLE, RoHS COMPLIANT	
MATERIAL AND FINISH	L.C	IN APP'D	MAY31-07	SIZE	
SEE NOTES				B	INS. NO.
REF.		ENG APP'D		P-HE11-RDA-101-X-XX	REV. D
CORE IDENT. NO.	03554	ENG APP'D		SCALE	N.T.S.
				PROJECT	RDA
				SHEET	2 OF 2