



Chipsmall Limited consists of a professional team with an average of over 10 year of expertise in the distribution of electronic components. Based in Hongkong, we have already established firm and mutual-benefit business relationships with customers from,Europe,America and south Asia,supplying obsolete and hard-to-find components to meet their specific needs.

With the principle of "Quality Parts,Customers Priority,Honest Operation,and Considerate Service",our business mainly focus on the distribution of electronic components. Line cards we deal with include Microchip,ALPS,ROHM,Xilinx,Pulse,ON,Everlight and Freescale. Main products comprise IC,Modules,Potentiometer,IC Socket,Relay,Connector.Our parts cover such applications as commercial,industrial, and automotives areas.

We are looking forward to setting up business relationship with you and hope to provide you with the best service and solution. Let us make a better world for our industry!



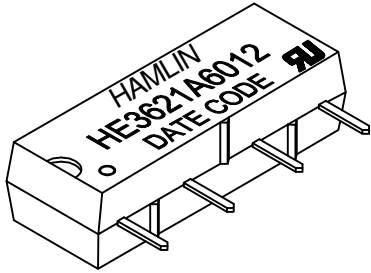
## Contact us

Tel: +86-755-8981 8866 Fax: +86-755-8427 6832

Email & Skype: info@chipsmall.com Web: www.chipsmall.com

Address: A1208, Overseas Decoration Building, #122 Zhenhua RD., Futian, Shenzhen, China

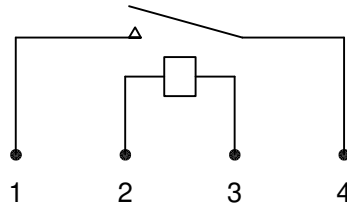




**ULTRA MINIATURE REED RELAY**

Single Pole, Form A  
P.C.B. Mounting  
Single-In-Line Style,  
Transfer Molded Body.

SCHEMATIC (TOP VIEW)



**CHARACTERISTICS**

**OPERATING TEMPERATURE** -40 TO +85°C  
**STORAGE TEMPERATURE** -40 TO +105°C  
**VIBRATION RESISTANCE, 10-2000 Hz** 20 G'S MAXIMUM  
**SHOCK RESISTANCE, 11 ms, 1/2 SINE** 50 G'S MAXIMUM

**INSULATION RESISTANCE**  
 ACROSS OPEN CONTACTS 10<sup>10</sup> Ω MINIMUM  
 BETWEEN ISOLATED PINS 10<sup>10</sup> Ω MINIMUM

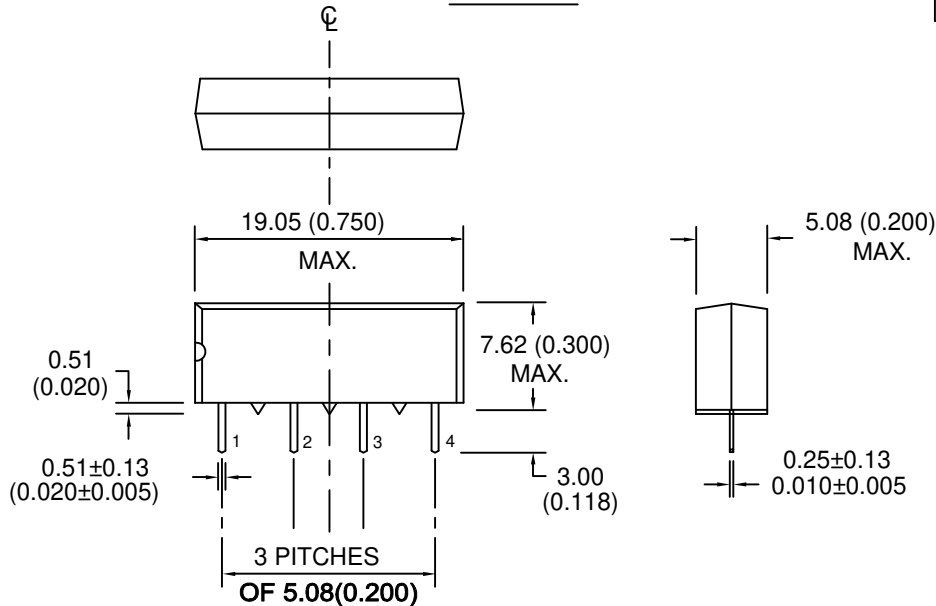
**VOLTAGE HOLD-OFF**  
 ACROSS OPEN CONTACTS 250 Vdc MINIMUM  
 COIL TO CONTACTS 1500 Vac MINIMUM  
 BETWEEN ISOLATED PINS --- Vac MINIMUM  
 COIL TO E.S. --- Vac MINIMUM

**CONTACT**  
 POWER, SWITCHING 10 WATTS MAXIMUM  
 VOLTAGE, SWITCHING 200 Vdc MAXIMUM  
 CURRENT, SWITCHING 0.5 AMPERES MAXIMUM  
 CURRENT, CARRY 1.0 AMPERES MAXIMUM  
 CONTACT RESISTANCE 0.200 Ω MAXIMUM  
 OPERATE TIME, INCLUDING BOUNCE 1.0 ms MAXIMUM  
 RELEASE TIME, DIODE SUPPRESSED 1.0 ms MAXIMUM

**COIL CHARACTERISTICS AT 25°C**  
 NOMINAL COIL VOLTAGE 12 Vdc  
 COIL RESISTANCE ±10% 2000 Ω  
 MUST OPERATE VOLTAGE 8.0 Vdc  
 MUST RELEASE VOLTAGE 1.0 Vdc  
 MAXIMUM COIL VOLTAGE 44 Vdc

DATE CODE: 4 DIGITS  
 XXXX  
 FIRST TWO ARE: THE TWO LAST DIGITS OF THE YEAR  
 SECOND TWO ARE: THE TWO DIGITS OF THE WEEK OF THE CURRENT YEAR.

DIMENSIONS



**ALL DIMENSIONS ±0.38 (0.015) UNLESS OTHERWISE STATED**

ORIGINAL DCR NO. L0293	DATE: 3/31/04
DRAWN BY: CRJ	DATE: 4/1/04
APP'D BY: CRJ	DATE: 4/1/04

<b>HAMLIN</b>	PROPRIETARY NOTE: THE INFORMATION ON THIS DRAWING IS THE CONFIDENTIAL PROPERTY OF HAMLIN. THIS DRAWING MUST NOT BE MADE PUBLIC OR COPIED UNLESS AUTHORIZED IN WRITING BY HAMLIN. THIS DRAWING IS SUBJECT TO RETURN UPON DEMAND.
	DESCRIPTION OF REVISION: NEW DRAWING

SHEET 1 of 1	DCR NO. L0293	REV. AA
DRAWN BY:	DATE:	
APP'D BY:	DATE:	