



Chipsmall Limited consists of a professional team with an average of over 10 year of expertise in the distribution of electronic components. Based in Hongkong, we have already established firm and mutual-benefit business relationships with customers from,Europe,America and south Asia,supplying obsolete and hard-to-find components to meet their specific needs.

With the principle of "Quality Parts,Customers Priority,Honest Operation,and Considerate Service",our business mainly focus on the distribution of electronic components. Line cards we deal with include Microchip,ALPS,ROHM,Xilinx,Pulse,ON,Everlight and Freescale. Main products comprise IC,Modules,Potentiometer,IC Socket,Relay,Connector.Our parts cover such applications as commercial,industrial, and automotives areas.

We are looking forward to setting up business relationship with you and hope to provide you with the best service and solution. Let us make a better world for our industry!



## Contact us

Tel: +86-755-8981 8866 Fax: +86-755-8427 6832

Email & Skype: info@chipsmall.com Web: www.chipsmall.com

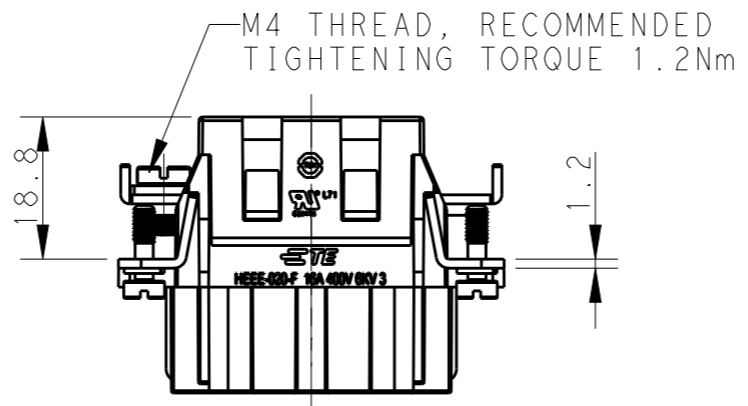
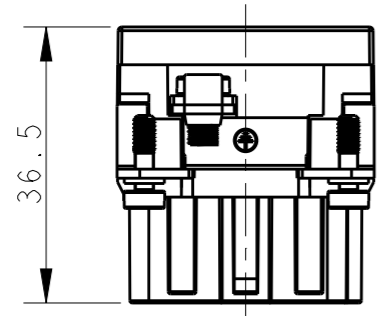
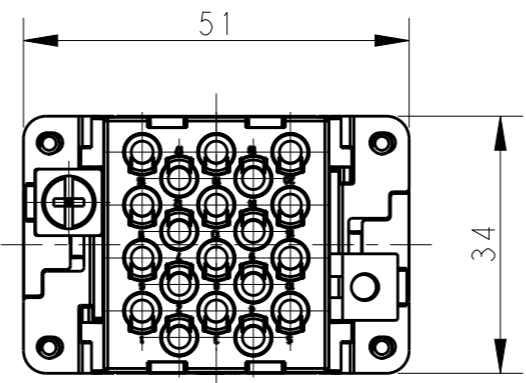
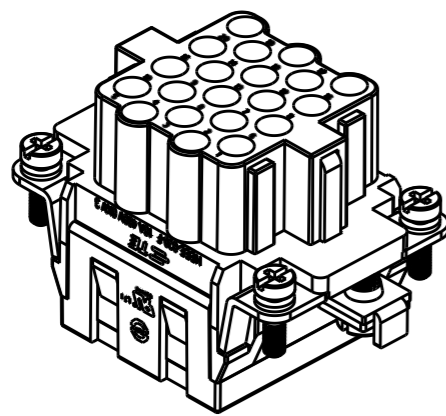
Address: A1208, Overseas Decoration Building, #122 Zhenhua RD., Futian, Shenzhen, China



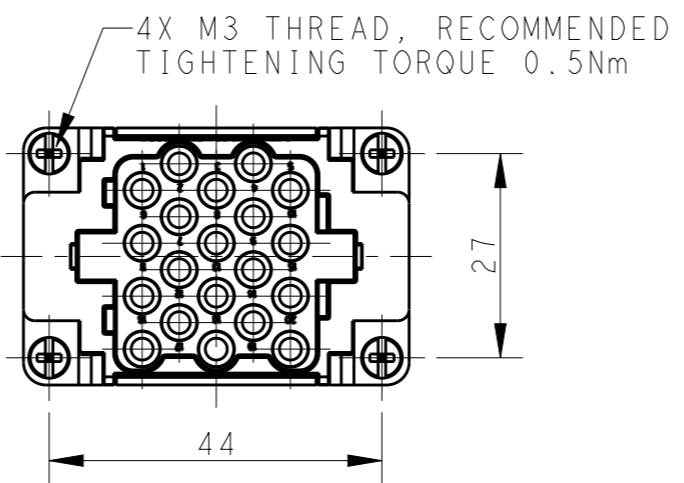
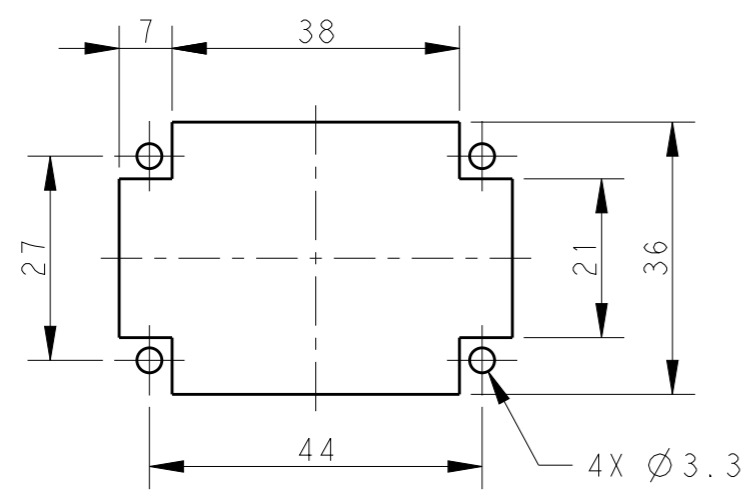
THIS DRAWING IS UNPUBLISHED. RELEASED FOR PUBLICATION 20  
 © COPYRIGHT 20 BY - ALL RIGHTS RESERVED.

REVISIONS

P	LTR	DESCRIPTION	DATE	DWN	APVD
A		INITIAL RELEASE	18DEC2014	HMR	CW
B		ECR-15-015267	19OCT2015	DW	CW



NOTES:  
 1. TECHNICAL CHARACTERISTICS:  
 INSULATION MATERIAL: PC  
 RATED VOLTAGE: 400V  
 RATED CURRENT: 16A  
 INSULATION RESISTANCE: >=400MΩ  
 RATED IMPULSE VOLTAGE: 6KV  
 POLLUTION DEGREE: 3  
 FLAMMABILITY: UL94V-0  
 MATING CYCLES: 500 CYCLES  
 OPERATION TEMPERATURE: -40°C~+125°C  
 WIRE RANGE: 0.14mm<sup>2</sup>~4mm<sup>2</sup> (AWG26-AWG12)  
 CONTACT TYPE: CRIMP CONTACT  
 2. CONTACTS NEED TO BE ORDERED SEPARATELY.  
 (ORDER No. REFER TO DRAWING:T20300X20XX000)



注释:  
 1. 技术参数:  
 绝缘材料: PC  
 额定电压: 400V  
 额定电流: 16A  
 绝缘电阻: >=400MΩ  
 脉冲电压: 6KV  
 污染等级: 3  
 阻燃等级: UL94V-0  
 插拔次数: 500次  
 工作温度: -40°C~+125°C  
 接线范围: 0.14mm<sup>2</sup>~4mm<sup>2</sup> (AWG26-AWG12)  
 接线类型: 冷压接  
 2. 端子需要单独订购.  
 (订货号参考图面: T20300X20XX000)

PANEL CUT FOR INSERTS FOR USE WITHOUT HOODS/ HOUSINGS

HEEE-020-F	T2050202201-000
DESCRIPTION	PART NUMBER

THIS DRAWING IS A CONTROLLED DOCUMENT.		DWN 18DEC2014 RAGHAVENDRA H M		TE Connectivity	
CHK 18DEC2014 CHRIS WANG		APVD 18DEC2014 XU XIANG			
NAME HEEE-020-F		PRODUCT SPEC 108-137068		RESTRICTED TO -	
APPLICATION SPEC 114-137068		WEIGHT -		SIZE A3	
MATERIAL -		FINISH -		CAGE CODE 00779	
DIMENSIONS: mm		TOLERANCES UNLESS OTHERWISE SPECIFIED:		DRAWING NO T2050202201000	
0 PLC ±-		1 PLC ±-		SCALE 1:1	
1 PLC ±-		2 PLC ±-		SHEET 1 OF 1	
2 PLC ±-		3 PLC ±-		REV B	
3 PLC ±-		4 PLC ±-			
4 PLC ±-		ANGLES ±-			
MATERIAL -		FINISH -			
Customer Drawing					