



Chipsmall Limited consists of a professional team with an average of over 10 year of expertise in the distribution of electronic components. Based in Hongkong, we have already established firm and mutual-benefit business relationships with customers from,Europe,America and south Asia,supplying obsolete and hard-to-find components to meet their specific needs.

With the principle of "Quality Parts,Customers Priority,Honest Operation,and Considerate Service",our business mainly focus on the distribution of electronic components. Line cards we deal with include Microchip,ALPS,ROHM,Xilinx,Pulse,ON,Everlight and Freescale. Main products comprise IC,Modules,Potentiometer,IC Socket,Relay,Connector.Our parts cover such applications as commercial,industrial, and automotives areas.

We are looking forward to setting up business relationship with you and hope to provide you with the best service and solution. Let us make a better world for our industry!



## Contact us

Tel: +86-755-8981 8866 Fax: +86-755-8427 6832

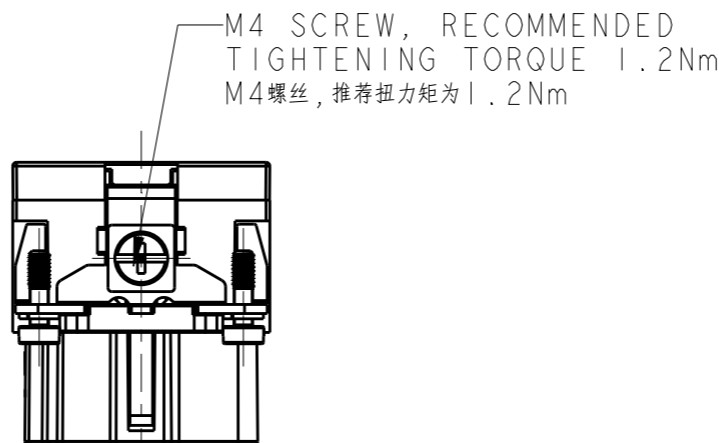
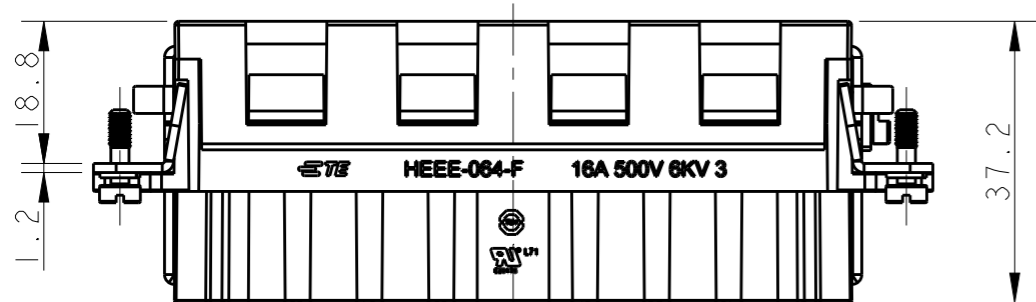
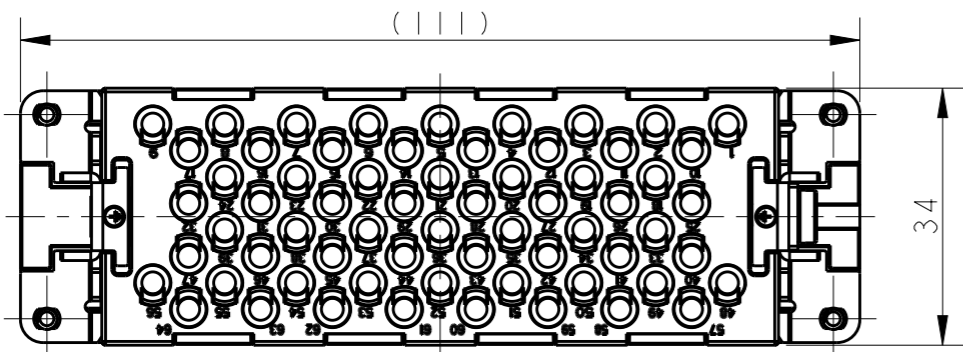
Email & Skype: info@chipsmall.com Web: www.chipsmall.com

Address: A1208, Overseas Decoration Building, #122 Zhenhua RD., Futian, Shenzhen, China



REVISIONS

P	LTR	DESCRIPTION	DATE	DWN	APVD
	A	INITIAL	05MAR2015	DW	CW
	B	ECR-15-015267	20OCT2015	DW	CW
	B1	ECR-16-017313	07DEC2016	DW	CW

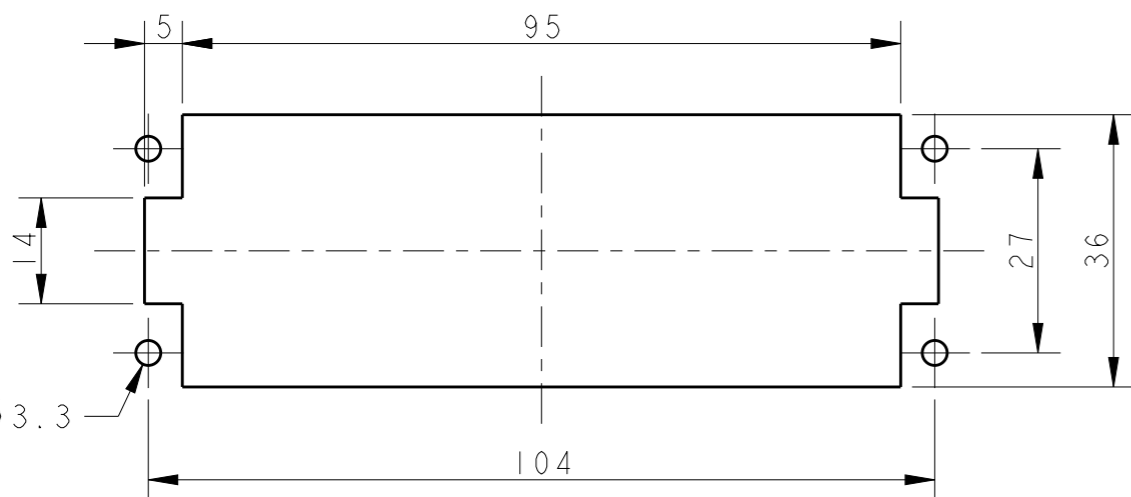
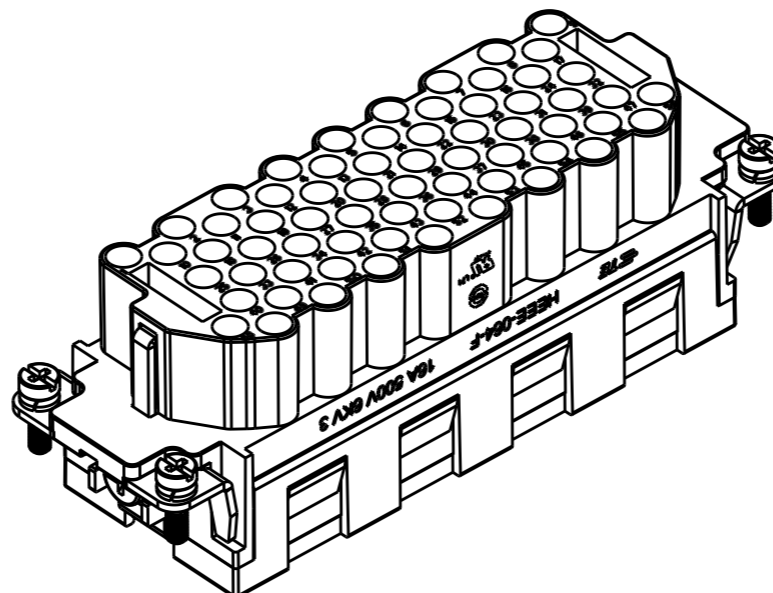
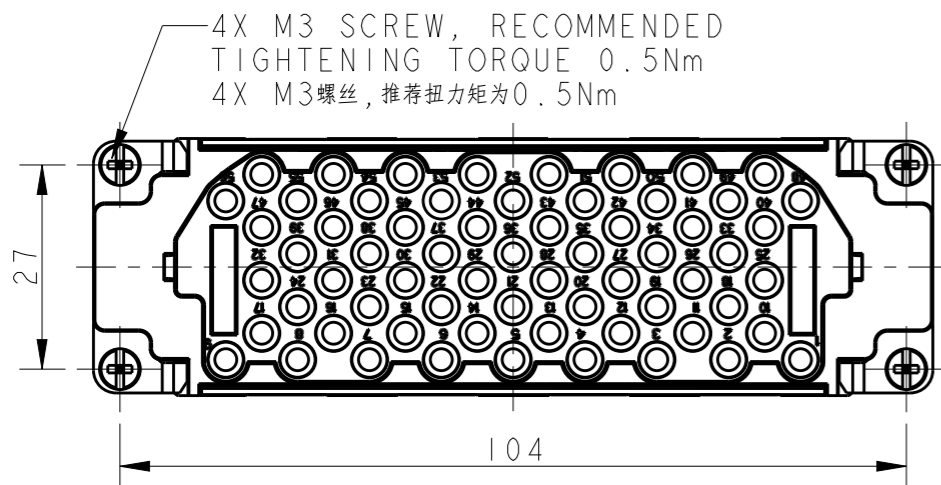


NOTES:

- TECHNICAL CHARACTERISTICS:  
INSULATION MATERIAL: PC  
RATED VOLTAGE: 500V  
RATED CURRENT: 16A  
INSULATION RESISTANCE:  $\geq 400M\Omega$   
RATED IMPULSE VOLTAGE: 6KV  
POLLUTION DEGREE: 3  
FLAMMABILITY: UL94V-0  
MATING CYCLES: 500 CYCLES  
WIRE RANGE:  $0.14mm^2 \sim 4mm^2$  (AWG26-AWG12)  
CONTACT TYPE: CRIMP CONTACT
- CONTACTS NEED TO BE ORDERED SEPARATELY.  
(ORDER No. REFER TO DRAWING: T20300X20XX000)

注释:

- 技术参数:  
绝缘材料: PC  
额定电压: 500V  
额定电流: 16A  
绝缘电阻:  $\geq 400M\Omega$   
脉冲电压: 6KV  
污染等级: 3  
阻燃等级: UL94V-0  
插拔次数: 500次  
接线范围:  $0.14mm^2 \sim 4mm^2$  (AWG26-AWG12)  
接线类型: 冷压接
- 端子需要单独订购。  
(订货号参考图面: T20300X20XX000)



PANEL CUT OUT DIMENSION FOR INSERT  
WITHOUT HOOD/HOUSING, ONLY FOR REFERENCE  
不使用防护外壳时芯件的开孔安装尺寸, 仅供参考

T2050643201-000	HEEE-064-F	HEEE-064 FEMALE INSERT HEEE-064 母插
PART NUMBER 料号	PART DESCRIPTION 描述	

THIS DRAWING IS A CONTROLLED DOCUMENT.		DWN 05MAR2015 David Wang		
DIMENSIONS: mm		CHK 05MAR2015 Chris Wang		
TOLERANCES UNLESS OTHERWISE SPECIFIED:		APVD 05MAR2015 Xiang Xu	NAME HEEE-064-F	
0 PLC $\pm$ -		PRODUCT SPEC 108-137068	SIZE CAGE CODE DRAWING NO RESTRICTED TO	
1 PLC $\pm$ -		APPLICATION SPEC 114-137068	A300779 C-T2050643201000 -	
2 PLC $\pm$ -		MATERIAL	WEIGHT	
3 PLC $\pm$ -		FINISH	SCALE 1:1 SHEET 1 OF 1 REV B1	
4 PLC $\pm$ -			Customer Drawing	
ANGLES $\pm$ -				