



Chipsmall Limited consists of a professional team with an average of over 10 year of expertise in the distribution of electronic components. Based in Hongkong, we have already established firm and mutual-benefit business relationships with customers from,Europe,America and south Asia,supplying obsolete and hard-to-find components to meet their specific needs.

With the principle of “Quality Parts,Customers Priority,Honest Operation,and Considerate Service”,our business mainly focus on the distribution of electronic components. Line cards we deal with include Microchip,ALPS,ROHM,Xilinx,Pulse,ON,Everlight and Freescale. Main products comprise IC,Modules,Potentiometer,IC Socket,Relay,Connector.Our parts cover such applications as commercial,industrial, and automotives areas.

We are looking forward to setting up business relationship with you and hope to provide you with the best service and solution. Let us make a better world for our industry!



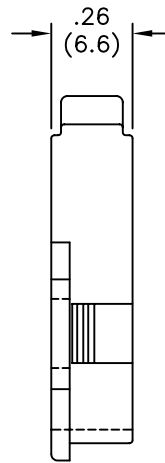
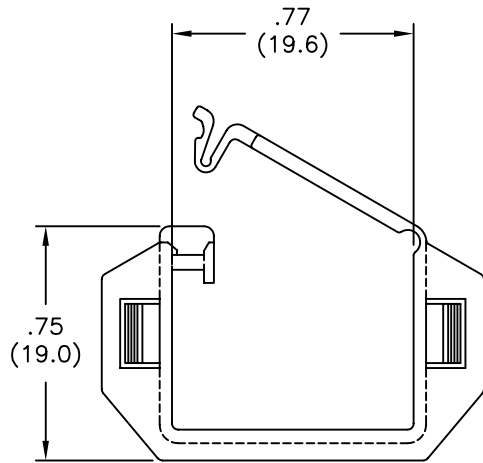
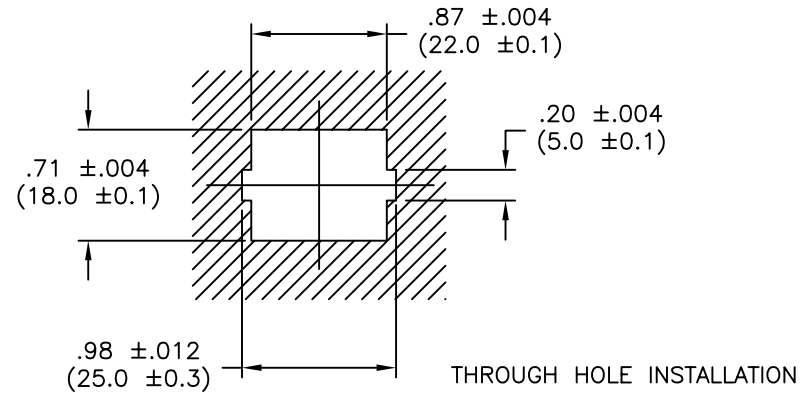
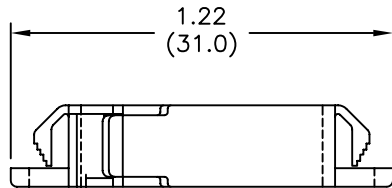
Contact us

Tel: +86-755-8981 8866 Fax: +86-755-8427 6832

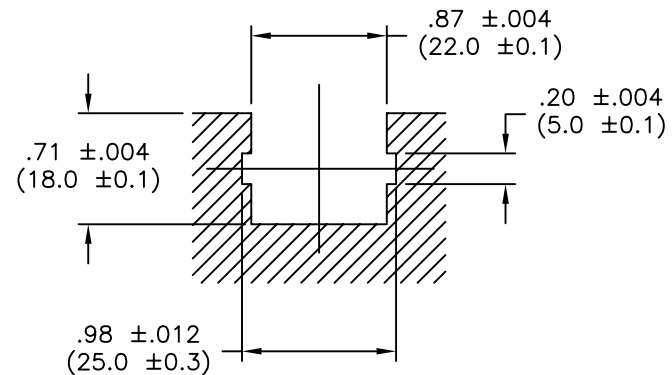
Email & Skype: info@chipsmall.com Web: www.chipsmall.com

Address: A1208, Overseas Decoration Building, #122 Zhenhua RD., Futian, Shenzhen, China





CHASSIS CUT-OUT
 PANEL THICKNESS: .020 TO .063 (0.5 TO 1.6)



NOTES:

- MATERIAL: NYLON 66 (RMS-01).
 FLAME RETARDANT NYLON (RMS-19)
 AVAILABLE BY SPECIAL ORDER.
- COLOR: NATURAL.

TITLE: EDGE WIRE SADDLE			⊕	≡	DWG IN IN(MM)	QR	
B	CHANGED NOTE 1, ADDED NOTE 2 ADDED THROUGH AND EDGE NOTE	SJ 03.27.02	TOLERANCES UNLESS NOTED .XX=±.010 .XXX=±.005 FRAC=1/64 ANG=1°	FILE # HEWSE	DWN: J.B.	APP:	FINAL
A	ADDED 3 SIDED CHASSIS CUT-OUT; CHANGED FILE NO.	SM 04.16.01	MAT'L: SEE NOTES	RE: RICHCO, INC.	DT: 01-17-97	DT:	PART #
REV	DESCRIPTION	ENGR DATE					HEWSE-22-01
							PRINT TYPE CA

RICHCO INC.
 PO BOX 804238, CHICAGO, 60680
 (773) 539-4060