



Chipsmall Limited consists of a professional team with an average of over 10 year of expertise in the distribution of electronic components. Based in Hongkong, we have already established firm and mutual-benefit business relationships with customers from,Europe,America and south Asia,supplying obsolete and hard-to-find components to meet their specific needs.

With the principle of "Quality Parts,Customers Priority,Honest Operation,and Considerate Service",our business mainly focus on the distribution of electronic components. Line cards we deal with include Microchip,ALPS,ROHM,Xilinx,Pulse,ON,Everlight and Freescale. Main products comprise IC,Modules,Potentiometer,IC Socket,Relay,Connector.Our parts cover such applications as commercial,industrial, and automotives areas.

We are looking forward to setting up business relationship with you and hope to provide you with the best service and solution. Let us make a better world for our industry!



## Contact us

Tel: +86-755-8981 8866 Fax: +86-755-8427 6832

Email & Skype: info@chipsmall.com Web: www.chipsmall.com

Address: A1208, Overseas Decoration Building, #122 Zhenhua RD., Futian, Shenzhen, China



# General Accessories

## Mounting Material

### Types FRS, HF, SM, FMD, PL



**Front mounting bezel type FRS 2**  
For front panel mounting of S-housing timers. Front mounting bezel and S-housing snap together.

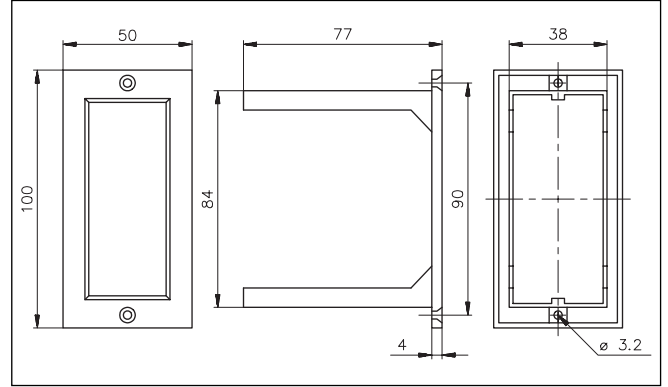
**Material**  
**Colour**  
**Panel cutout**

Glassfilled Noryl SE1  
Light grey  
84 x 38 mm

**FRS 2**



**FRS 2 on a relay**



**Hold down spring type HF**  
For additional fixing of Scantimer- and S-housings in places with strong vibrations.

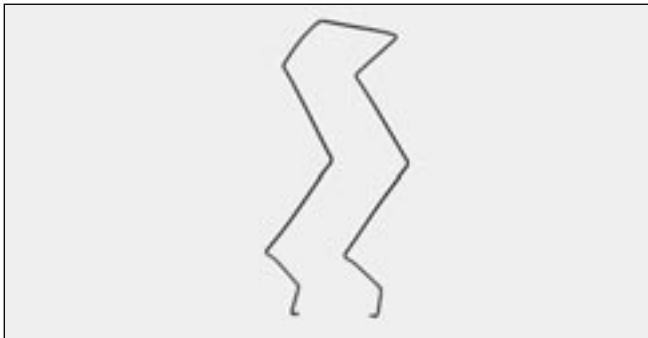
**Material**

Stainless steel spring wire

**HF**

To be used with socket type S 411 or D 411 B.

**HF mounted on relay**

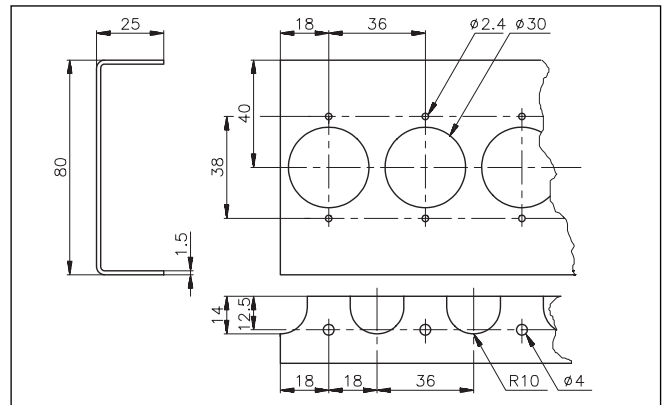


**Mounting rack type SM 13**  
Mounting rack for 27 relays (S 108 and S 111).

**Material**  
**Length, standard**

1.5 mm electroplated iron  
970 mm

**SM 13**



## Mounting Material (cont.)

### DIN-rail type FMD 411

Mounting rail for socket type D 411 B, which is snapped on FMD 411. For surface fixing by means of two screws.

### Material Dimensions

Electroplated steel  
35 x 35 mm

### FMD 411



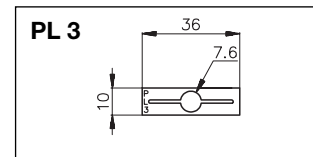
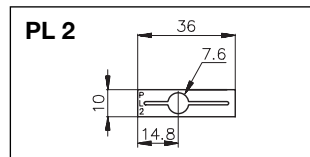
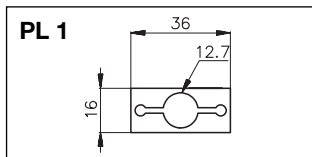
### Potentiometer lock, types PL 1, PL 2, PL 3

For locking of potentiometer on Scantimer and S-housing timer. The potentiometer lock snaps to front of housing. Fitting potentiometer into the aperture of the lock secures the time set on knob-adjustable timers.

### Material

Transparent polycarbonate

### PL 1, PL 2, PL 3



**PL 1** For timers with  $\varnothing$  13 mm knobs.

**PL 2** For timers with  $\varnothing$  8 mm knobs.

**PL 3** For timers with  $\varnothing$  8 mm knobs.