



Chipsmall Limited consists of a professional team with an average of over 10 year of expertise in the distribution of electronic components. Based in Hongkong, we have already established firm and mutual-benefit business relationships with customers from,Europe,America and south Asia,supplying obsolete and hard-to-find components to meet their specific needs.

With the principle of “Quality Parts,Customers Priority,Honest Operation,and Considerate Service”,our business mainly focus on the distribution of electronic components. Line cards we deal with include Microchip,ALPS,ROHM,Xilinx,Pulse,ON,Everlight and Freescale. Main products comprise IC,Modules,Potentiometer,IC Socket,Relay,Connector.Our parts cover such applications as commercial,industrial, and automotives areas.

We are looking forward to setting up business relationship with you and hope to provide you with the best service and solution. Let us make a better world for our industry!



Contact us

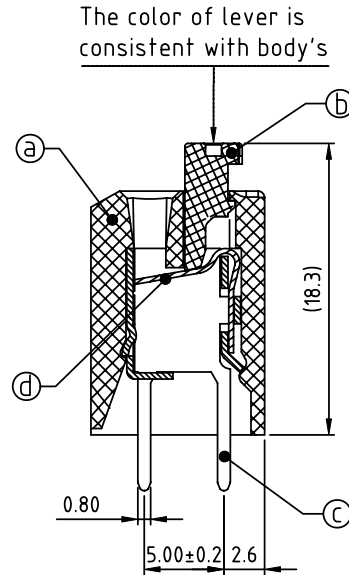
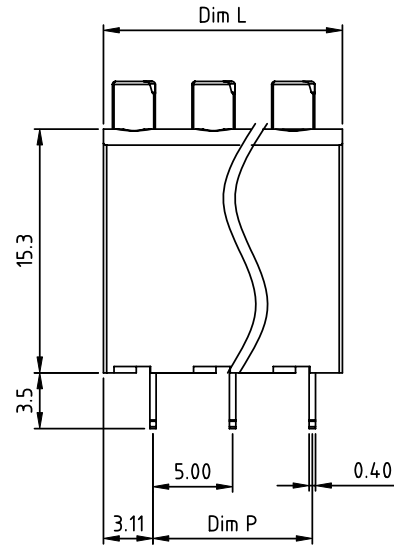
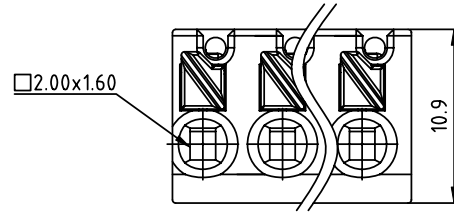
Tel: +86-755-8981 8866 Fax: +86-755-8427 6832

Email & Skype: info@chipsmall.com Web: www.chipsmall.com

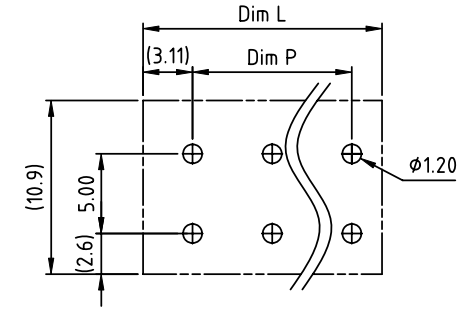
Address: A1208, Overseas Decoration Building, #122 Zhenhua RD., Futian, Shenzhen, China



PRODUCT NUMBER	PITCH
HFxx70x100J0G	5.00mm



The color of lever is consistent with body's



RECOMMENDED P.C.B LAYOUT
TOP VIEW

Material:

- Item (a) Insulating body: Thermoplastic (UL94V-0)
- Item (b) Insulating lever: Thermoplastic (UL94V-0)
- Item (c) Solder pin: Brass, Tin plated
- Item (d) Spring clamp: Stainless steel

Electrical cULus/VDE

- Voltage rating: 300VAC/450VAC
- Current rating: 10A/10A
- Wire range: 0.5-1.0mm²
- Solid wire(AWG): 16-20
- Stranded wire(AWG): 16-20
- Wire strip length: 8-9mm
- Withstanding Voltage: 1.6KV/2.5KV
- Operating temperature: -40°C to +115°C
- Soldering temperature: 260°C±5°C/5 Sec
- Safety Approval:

N=Number of poles
Dim L=N×5.0
Dim P=(N-1)×5.0

Poles	Tolerance
2-6p	±0.15
7-12p	±0.20
13-18p	±0.25
19-24p	±0.30

PART NO.: HF xx 70 x 100J0 G

No. of poles	Color	RoHS compliant
Solid block	0 Black (RAL9005)	(lead<4%) In copper Alloy
02 2 poles	2 Red (RAL3001/D)	
03 3 poles	3 Orange(RAL2011/P)	
...	4 Yellow(RAL1018/A)	
...	5 Green(RAL6018/T)	
24 24 poles	6 Blue (RAL5015/A)	
	8 Grey(RAL7004/P)	
	9 White(RAL1102)	

mat'l. code		surface ASME Y14.5	tolerance ASME Y14.5	projection	product family TERMINAL BLOCK
ltr	ecn no	dr	date		title TERMINAL BLOCK
tolerances unless otherwise specified				MM	SPRING CLAMP,90D WIRE INLET,HIGH PROFILE TYPE
angles				scale	dwg no
X±1°					sheet 1 of 1 size
dr					HFxx70x100J0G
enr					A4
chr					type
appd					CUSTOMER Drawing
sheet index	revision	A			
	sheet	1			