



Chipsmall Limited consists of a professional team with an average of over 10 year of expertise in the distribution of electronic components. Based in Hongkong, we have already established firm and mutual-benefit business relationships with customers from,Europe,America and south Asia,supplying obsolete and hard-to-find components to meet their specific needs.

With the principle of “Quality Parts,Customers Priority,Honest Operation,and Considerate Service”,our business mainly focus on the distribution of electronic components. Line cards we deal with include Microchip,ALPS,ROHM,Xilinx,Pulse,ON,Everlight and Freescale. Main products comprise IC,Modules,Potentiometer,IC Socket,Relay,Connector.Our parts cover such applications as commercial,industrial, and automotives areas.

We are looking forward to setting up business relationship with you and hope to provide you with the best service and solution. Let us make a better world for our industry!



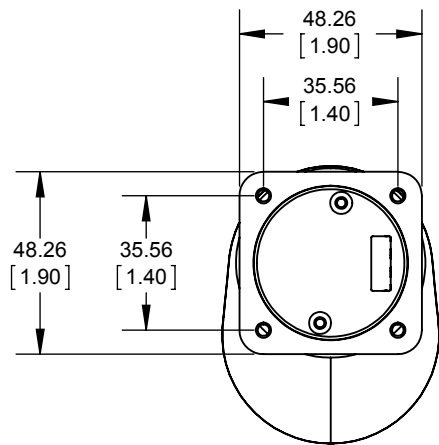
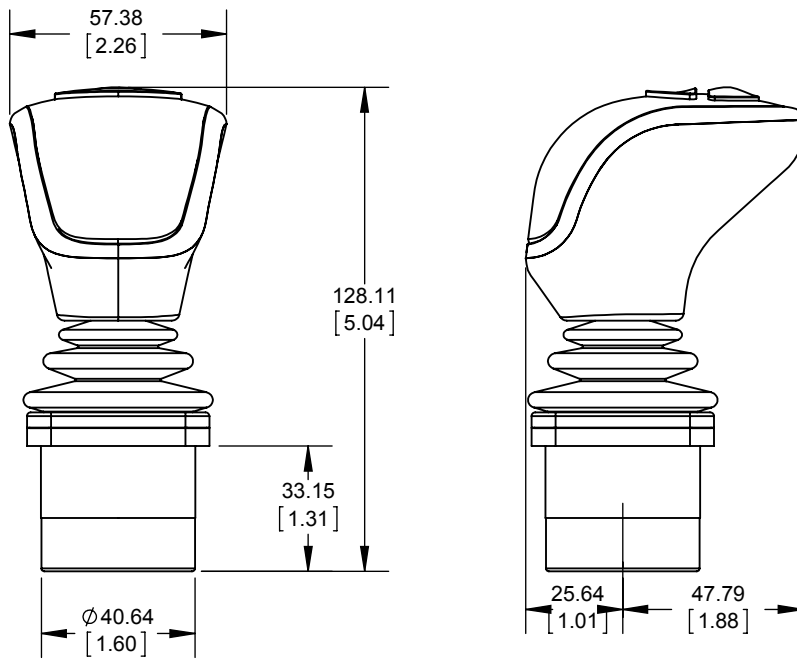
Contact us

Tel: +86-755-8981 8866 Fax: +86-755-8427 6832

Email & Skype: info@chipsmall.com Web: www.chipsmall.com

Address: A1208, Overseas Decoration Building, #122 Zhenhua RD., Futian, Shenzhen, China





HF3397



HF:
55:
S:
1:
2-C:

(HF55S12C)

HF series
Three axis & two pushbuttons, IP67 sealing
Square limiter plate
Drop-in mounting
CANbus J1939

Operating voltage: 6V to 35VDC
 Operating temperature: -40° to +85°C (-40°F to 185°F)
 Storage temperature: -40° to +85°C (-40°F to 185°F)
 Wiring specifications: 22AWG, PTFE, 22" ±.125"

Red: Supply power
 Black: Ground
 Green: CAN High data
 White: CAN Low data
 Blue: Identifier Select LSB
 Orange: Identifier Select MSB

UNLESS OTHERWISE SPECIFIED: DIMENSIONS ARE IN INCHES TOLERANCES: .X ± .030 .XX ± .010 .XXX ± .005 .XXXX ± .0005 ANGLES ± 1° FRACTIONS ± 1/32 <input checked="" type="checkbox"/> CRITICAL DIMENSIONS MATERIAL FINISH FORM NO.: EF-300	NAME	DATE	 MANUFACTURERS OF MAN-MACHINE INTERFACE PRODUCTS 970 PARK CENTER DR. VISTA, CA 92081 TEL: (760) 598-2518 FAX: (760) 598-2524 THIS DOCUMENT CONTAINS PROPRIETARY INFORMATION OF APEM, INC. AND IS TENTED SUBJECT TO THE CONDITIONS THAT THE INFORMATION (A) BE RETAINED IN CONFIDENCE (B) NOT BE REPRODUCED OR COPIED IN WHOLE OR PART (C) NOT BE LEASED TO THIRD PARTY AND (D) NOT BE USED OR INCORPORATED IN ANY PRODUCT EXCEPT UNDER EXPRESSED WRITTEN AGREEMENT WITH APEM, INC.		
	DRAWN	ET			7/16/2015
	CHECKED				
	ENG APPR.				
	COMMENTS:	For Catalog			
TITLE:			 HF3397		
SIZE	PROJECT/ACCT. NO.	DWG. NO.	REV		
A	FILE NO. 12/22/2015				
SCALE: 1:2	DO NOT SCALE DRAWING		SHEET 1 OF 1		

CAN CONFIGURATION GUIDE

CUSTOMER: _____

Firmware : 520-416 Rev A

PART#: _____ HF3397

		<input type="checkbox"/> Check mark as required <input type="checkbox"/> Fill in as required										CAN ID Select		ID Selection																																					
												MSB	LSB																																						
												Orange WIRE	Blue WIRE																																						
11 BIT IDENTIFIER (CAN2.0A)	#1	TX											FILL IN 1 TX AND 1 RX IDENTIFIER FOR EACH WIRE COMBINATION AT RIGHT				Address 0	G	G																																
		RX											TX is from Joystick to bus RX is from bus to Joystick																																						
	#2	TX															Address 1		G																																
		RX																																																	
	#3	TX															Address 2	G																																	
		RX																																																	
	#4	TX															Address 3																																		
		RX																																																	
29 BIT IDENTIFIER (CAN2.0B)	#1	TX		0	0		F	D	D	7	0	0	FILL IN 1 TX AND 1 RX IDENTIFIER FOR EACH WIRE COMBINATION AT RIGHT				Address 0	G	G																																
		RX											TX is from Joystick to bus RX is from bus to Joystick																																						
	#2	TX		0	0		F	D	D	7	0	1					Address 1		G																																
		RX																																																	
	#3	TX		0	0		F	D	D	7	0	2					Address2	G																																	
		RX																																																	
	#4	TX		0	0		F	D	D	7	0	3					Address 3																																		
		RX																																																	
8 BYTE TX DATA FRAME		8	7	6	5	4	3	2	1	8	7	6	5	4	3	2	1	8	7	6	5	4	3	2	1	8	7	6	5	4	3	2	1	8	7	6	5	4	3	2	1	8	7	6	5	4	3	2	1	-< Byte positions	
8 BYTE RX DATA FRAME		8	7	6	5	4	3	2	1	8	7	6	5	4	3	2	1	8	7	6	5	4	3	2	1	8	7	6	5	4	3	2	1	8	7	6	5	4	3	2	1	8	7	6	5	4	3	2	1		

Identifier Remark (J1939)	5 bit Priority	8 bit PDU Format	8 bit PDU Specific	8 bit Source Address
---------------------------	----------------	------------------	--------------------	----------------------

Baud Rate:	100K	250K	500K	1Mbits
Data format:	8bits signed	8bits unsigned	10bits unsigned	10bits signed
	10bits signed	12bits unsigned	12bits signed	

CAN Message options:		<input type="checkbox"/> Check mark as required <input type="checkbox"/> Fill in as required									
Option	Bit position	Byte	Description	Y	Option	Bit position	Byte	Description	Y		
Center			All axis centered		Error X			Error on X Axis 00: 01: 10: 11:			
Center X	1,2	1	X axis centered	X	Error Y			Error on Y Axis 00: 01: 10: 11:			
Center Y	1,2	3	Y axis centered	X	Error Z			Error on Z Axis 00: 01: 10: 11:			
Center Z	1,2	5	Z axis centered	X	Error SW			Invalid Switch combination			
X Left	3,4	1	X axis Left	X	Z CW	3,4	5	Z axis Counter Clockwise	X		
X Right	5,6	1	X axis Right	X	Z CCW	5,6	5	Z axis Counter Counter Clockwise	X		
Y Up	5,6	3	Y axis Up (North)	X	Y Down	3,4	3	Y axis Down (South)	X		

11: on the status bits indicate an error on the axis.

L in the receive frame stands for LEDs