



Chipsmall Limited consists of a professional team with an average of over 10 year of expertise in the distribution of electronic components. Based in Hongkong, we have already established firm and mutual-benefit business relationships with customers from,Europe,America and south Asia,supplying obsolete and hard-to-find components to meet their specific needs.

With the principle of “Quality Parts,Customers Priority,Honest Operation,and Considerate Service”,our business mainly focus on the distribution of electronic components. Line cards we deal with include Microchip,ALPS,ROHM,Xilinx,Pulse,ON,Everlight and Freescale. Main products comprise IC,Modules,Potentiometer,IC Socket,Relay,Connector.Our parts cover such applications as commercial,industrial, and automotives areas.

We are looking forward to setting up business relationship with you and hope to provide you with the best service and solution. Let us make a better world for our industry!



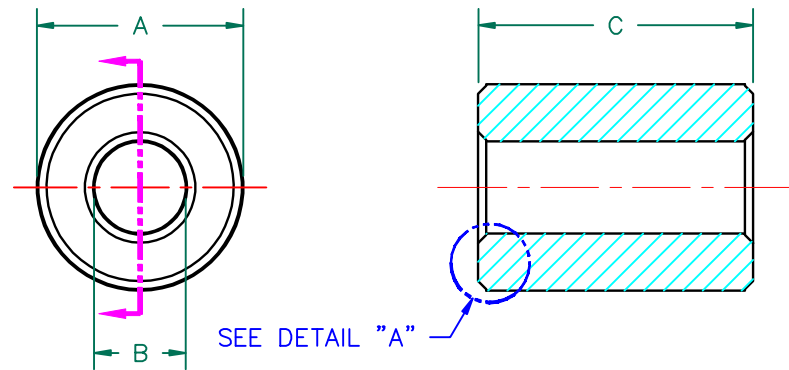
Contact us

Tel: +86-755-8981 8866 Fax: +86-755-8427 6832

Email & Skype: info@chipsmall.com Web: www.chipsmall.com

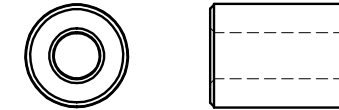
Address: A1208, Overseas Decoration Building, #122 Zhenhua RD., Futian, Shenzhen, China



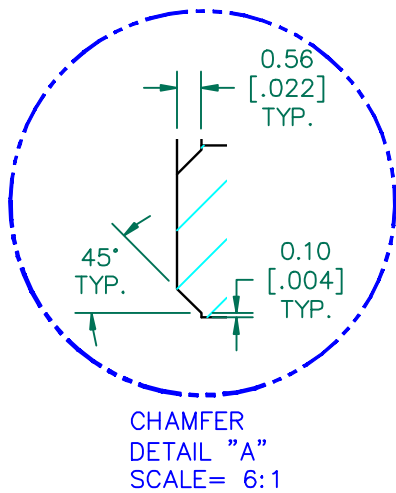


UNCONTROLLED DOCUMENT

SCALE DRAWING 1:1



HFB143064-200



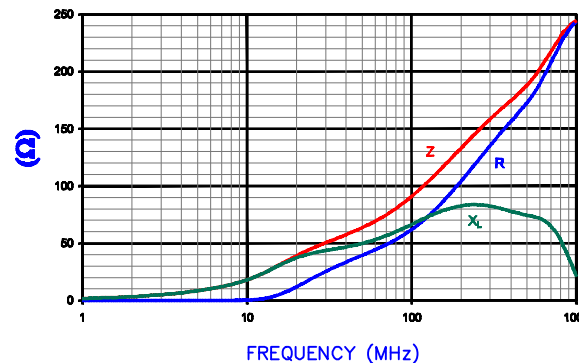
IMPEDANCE (Z) NET ^{SEE NOTE 1}

FREQUENCY	300 MHz	500 MHz	1 GHz
# TURNS	1	1	1
NOMINAL (REF.)	158 Ω	187 Ω	243 Ω
MINIMUM (SPEC.)	- Ω	150 Ω	- Ω

TEST CRITERIA

METER	AGILENT E4991A
FIXTURE	HP16192A-CNZ
WIRE	N/A
PROCEDURE #	CQA - SOP 1391 "CNZ IMPEDANCE TESTING"

Z , R, AND X vs. FREQUENCY
(REF. ONLY)



AGILENT E4991A RF Impedance/Material Analyzer
HP 16192A-CNZ Test Fixture

NOTES:

- NET IMPEDANCE IS IMPEDANCE OF THE FERRITE CORE ONLY. ALL IMPEDANCE CONTRIBUTION FROM TEST WIRE AND FIXTURES HAS BEEN REMOVED.

FERRITE CORE DIMENSIONS (SPEC):

A	14.27 [.562]	±	0.29 [.011]
B	6.35 [.250]	±	0.13 [.005]
C	19.00 [.748]	±	0.38 [.015]

WEIGHT/1000 11.94 kgs [26.32 Lbs]

DIMENSIONS ARE IN mm [INCHES].				THIS DOCUMENT CONTAINS INFORMATION WHICH IS PROPRIETARY AND CONFIDENTIAL TO STEWARD. NO PRODUCTION OR PUBLICATION OF THIS DOCUMENT IN WHOLE OR IN PART SHALL BE MADE WITHOUT WRITTEN AUTHORIZATION FROM STEWARD.			
						PROJECT/PART NUMBER:	
						HFB143064-200	
				REV B FERRITE CORE		DRAWN BY:	
						TMB	
B RE--ACTIVATE PRINT, UPDATE COMPANY LOGO AND Z SPEC@500 MHZ MIN. 09/26/07 JRK				DATE:		SCALE:	
				08/20/02		2 : 1	
A ORIGINAL DRAFT 08/20/02 TMB REV DESCRIPTION DATE INT				MATERIAL:		TOOL #	
				HF		B0562	
CAD # HFB143064-200-B							