



Chipsmall Limited consists of a professional team with an average of over 10 year of expertise in the distribution of electronic components. Based in Hongkong, we have already established firm and mutual-benefit business relationships with customers from,Europe,America and south Asia,supplying obsolete and hard-to-find components to meet their specific needs.

With the principle of “Quality Parts,Customers Priority,Honest Operation,and Considerate Service”,our business mainly focus on the distribution of electronic components. Line cards we deal with include Microchip,ALPS,ROHM,Xilinx,Pulse,ON,Everlight and Freescale. Main products comprise IC,Modules,Potentiometer,IC Socket,Relay,Connector.Our parts cover such applications as commercial,industrial, and automotives areas.

We are looking forward to setting up business relationship with you and hope to provide you with the best service and solution. Let us make a better world for our industry!



## Contact us

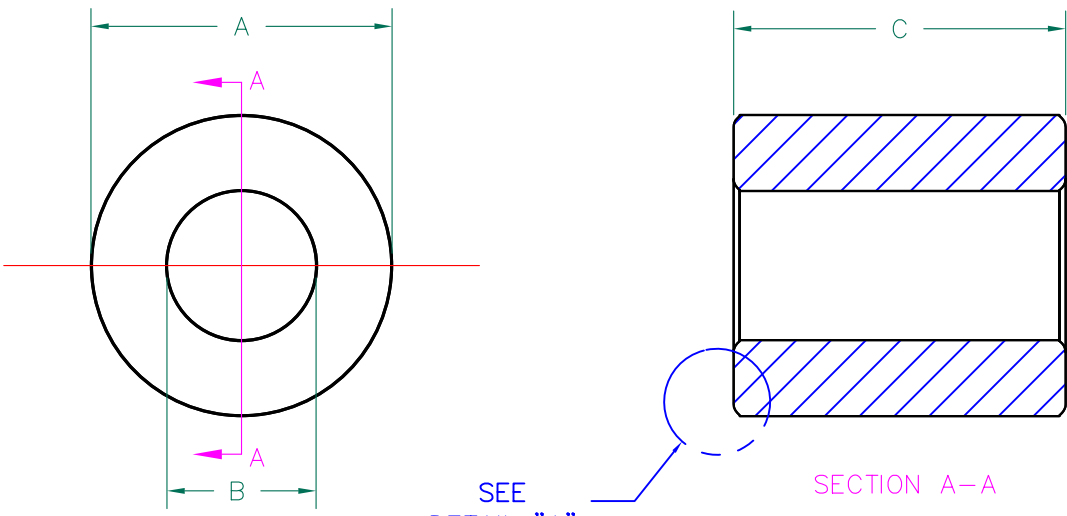
Tel: +86-755-8981 8866 Fax: +86-755-8427 6832

Email & Skype: info@chipsmall.com Web: www.chipsmall.com

Address: A1208, Overseas Decoration Building, #122 Zhenhua RD., Futian, Shenzhen, China

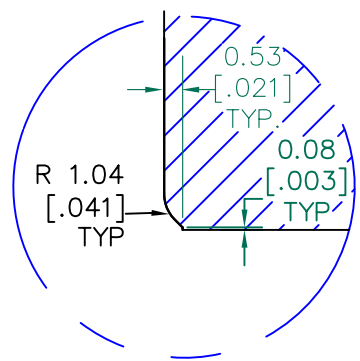


NET IMPEDANCE ( Z )			
Frequency	300 MHz	500 MHz	1 GHz
Nominal (REF)	175 Ω	210 Ω	250 Ω
Minimum	- Ω	168 Ω	- Ω



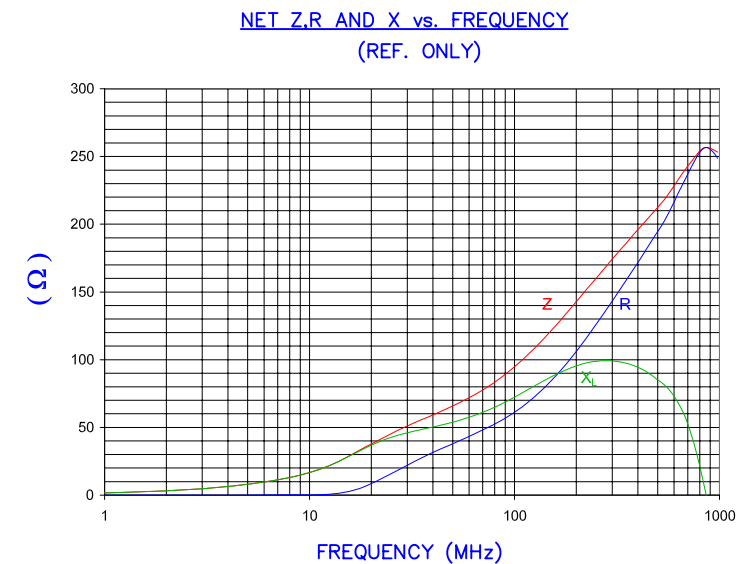
SEE  
DETAIL "A"

SECTION A-A



DETAIL "A"  
CHAMFER  
SCALE=5:1

**UNCONTROLLED  
DOCUMENT**

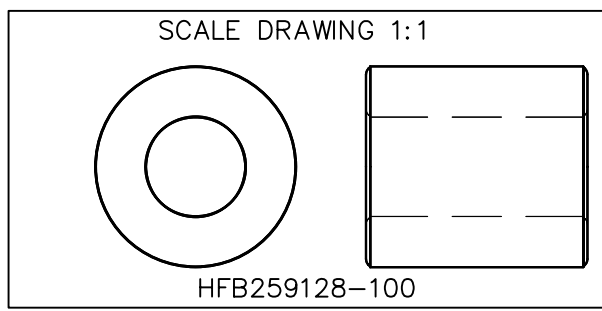


AGILENT E4991A Impedance/Material Analyzer  
HP 16092A-Test Fixture

FERRITE CORE DIMENSIONS (SPEC) MM [Inches]:

A	25.91 [1.020]	±	0.46 [.018]
B	12.83 [.505]	±	0.25 [.010]
C	28.58 [1.125]	±	0.57 [.023]

WEIGHT/1000 56.05 kgs [123.56 Lbs]



DIMENSIONS ARE IN mm [INCHES].				This print is the property of Laird Tech. and is loaned in confidence subject to return upon request and with the understanding that no copies shall be made without the written consent of Laird Tech. All rights to design or invention are reserved.		Laird TECHNOLOGIES®	
PROJECT/PART NUMBER:				REV	PART TYPE:	DRAWN BY:	
HFB259128-100				B	FERRITE CORE	JRK	
B	UPDATE COMPANY LOGO	06/11/10	JUN	DATE:	03/31/03	SCALE:	1.5:1
A	ORIGINAL DRAFT	03/31/03	JRK	CAD #	HFB259128-100-B	TOOL #	B1020
REV	DESCRIPTION	DATE	INT			MATERIAL: HF	