



Chipsmall Limited consists of a professional team with an average of over 10 year of expertise in the distribution of electronic components. Based in Hongkong, we have already established firm and mutual-benefit business relationships with customers from,Europe,America and south Asia,supplying obsolete and hard-to-find components to meet their specific needs.

With the principle of “Quality Parts,Customers Priority,Honest Operation,and Considerate Service”,our business mainly focus on the distribution of electronic components. Line cards we deal with include Microchip,ALPS,ROHM,Xilinx,Pulse,ON,Everlight and Freescale. Main products comprise IC,Modules,Potentiometer,IC Socket,Relay,Connector.Our parts cover such applications as commercial,industrial, and automotives areas.

We are looking forward to setting up business relationship with you and hope to provide you with the best service and solution. Let us make a better world for our industry!



## Contact us

Tel: +86-755-8981 8866 Fax: +86-755-8427 6832

Email & Skype: info@chipsmall.com Web: www.chipsmall.com

Address: A1208, Overseas Decoration Building, #122 Zhenhua RD., Futian, Shenzhen, China



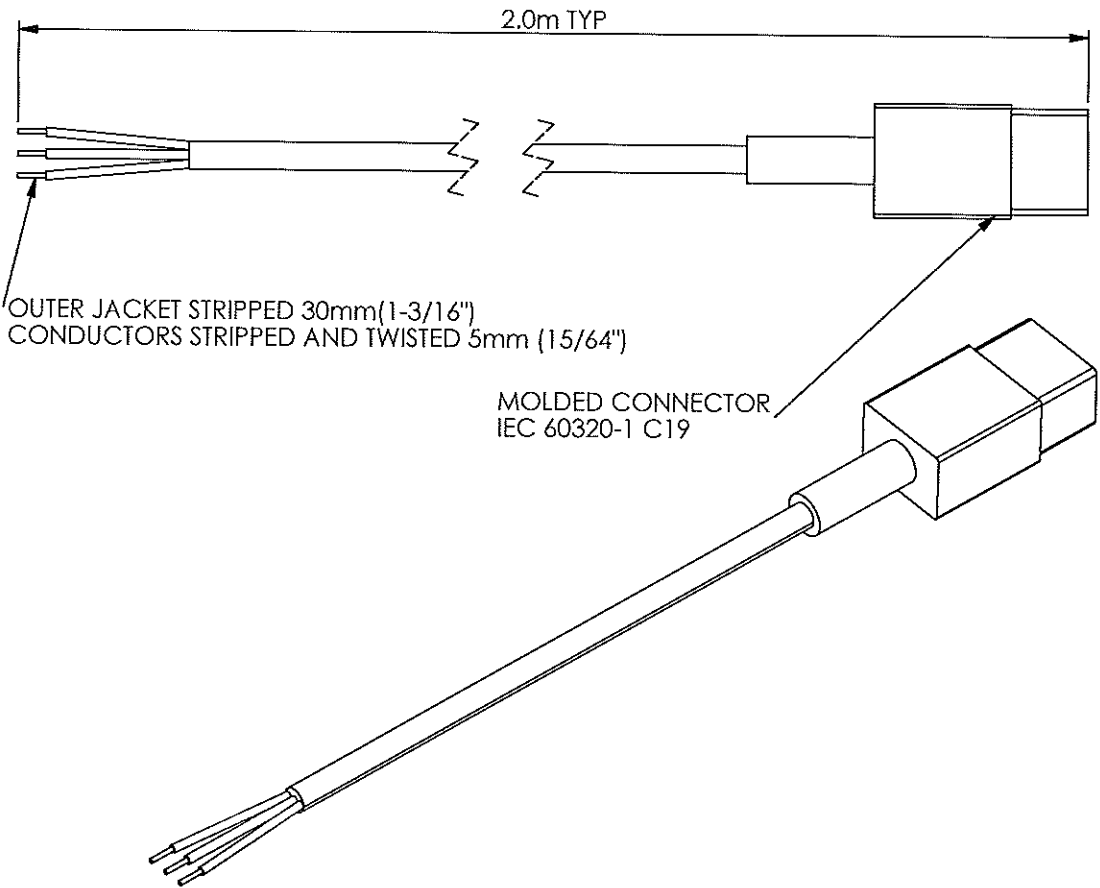
**ROHS COMPLIANCE**

CONTROLLED COPY  
15.03.12  
N.L.I. R&D

**20A 125V OPEN CORD SET (USA)**

1. UNSHIELDED, 3 CONDUCTORS
2. RATING MIN.: 20A, 125V
3. POWER CORD LENGTH: 2m TYP.
4. JACKET COLOR: BLACK.
5. TEMPERATURE RATING MIN.: 75°C.  $\triangle 3$
6. COMPONENTS DESCRIPTION:
  1. CABLE:
    - TYPE: SJT, SJTO
    - CONDUCTORS CROSS-SECTION AREA MIN.: 2.5mm<sup>2</sup>/12AWG
    - RATED MIN.: 20A, 125V;
    - SAFETY MARKING: UL MARK/CSA
  - $\triangle 1$  2. CONNECTOR:
    - IEC 60320-1 CERTIFIED, UL/CSA APPROVED, TYPE C19;
    - RATED MIN.: 20A, 125V;
    - SAFETY MARKING: CERTIFICATION AGENCY MARK(S), UL/CSA MARKS, RATING, TYPE

$\triangle 2$



NOTE:  
ROHS COMPLIANCE  
REFER TO D-L GROUP  
GREEN PROCUREMENT  
GUIDELINE : DL-EMS-010\_

C	$\triangle 2$ - $\triangle 3$	REV. B3	28.FEB.2012				
B	$\triangle 1$	REV. B2	26.JAN.2012				
A	NEW DRAWING		17.JAN.2012				
D	CONTENTS		DATE	ENGR	CHK	APPD	

DWG	S.MIKI	28.1.2012	SHEET OF	
ENGR	S.MIKI	28.2.2012	1	1
CHK		28.02.12	SCALE	NONE
APPD	Kami's.	Feb-28-12	UNITS	mm
ISSUED		Feb-28-12		

MATERIALS	TITLE	20A 125V OPEN CORD SET (USA)
FINISH	DRAWING No.	IA706-81-12 - $\square C$
<b>TDK-Lambda</b>		