



Chipsmall Limited consists of a professional team with an average of over 10 year of expertise in the distribution of electronic components. Based in Hongkong, we have already established firm and mutual-benefit business relationships with customers from,Europe,America and south Asia,supplying obsolete and hard-to-find components to meet their specific needs.

With the principle of "Quality Parts,Customers Priority,Honest Operation,and Considerate Service",our business mainly focus on the distribution of electronic components. Line cards we deal with include Microchip,ALPS,ROHM,Xilinx,Pulse,ON,Everlight and Freescale. Main products comprise IC,Modules,Potentiometer,IC Socket,Relay,Connector.Our parts cover such applications as commercial,industrial, and automotives areas.

We are looking forward to setting up business relationship with you and hope to provide you with the best service and solution. Let us make a better world for our industry!



Contact us

Tel: +86-755-8981 8866 Fax: +86-755-8427 6832

Email & Skype: info@chipsmall.com Web: www.chipsmall.com

Address: A1208, Overseas Decoration Building, #122 Zhenhua RD., Futian, Shenzhen, China



Fiber Optic Components

50 Mbps 650 nm LED

HFE7000-210

FEATURES

- Super bright LED for optical fiber communication
- Integrated lens provides maximum coupling into plastic fibers
- High power output at 650 nm
- High speed (50 Mbps)
- High reliability
- Designed to meet SERCOS requirements



WARNING

PERSONAL INJURY

DO NOT USE these products as safety or emergency stop devices, or in any other application where failure of the product could result in personal injury.

Failure to comply with these instructions could result in death or serious injury.



WARNING

MISUSE OF DOCUMENTATION

- The information presented in this product sheet is for reference only. Do not use this document as a product installation guide.
- Complete installation, operation, and maintenance information is provided with each product.

Failure to comply with these instructions could result in death or serious injury.

NOTICE

Stress greater than those listed under "Absolute Maximum Ratings" may cause permanent damage to the device. This is a stress rating only and functional operation of the device at these or any other conditions above those indicated in the operational section of this specification is not implied. Exposure to absolute maximum rating conditions for extended periods of time may affect reliability.



HFE7000-210

DESCRIPTION

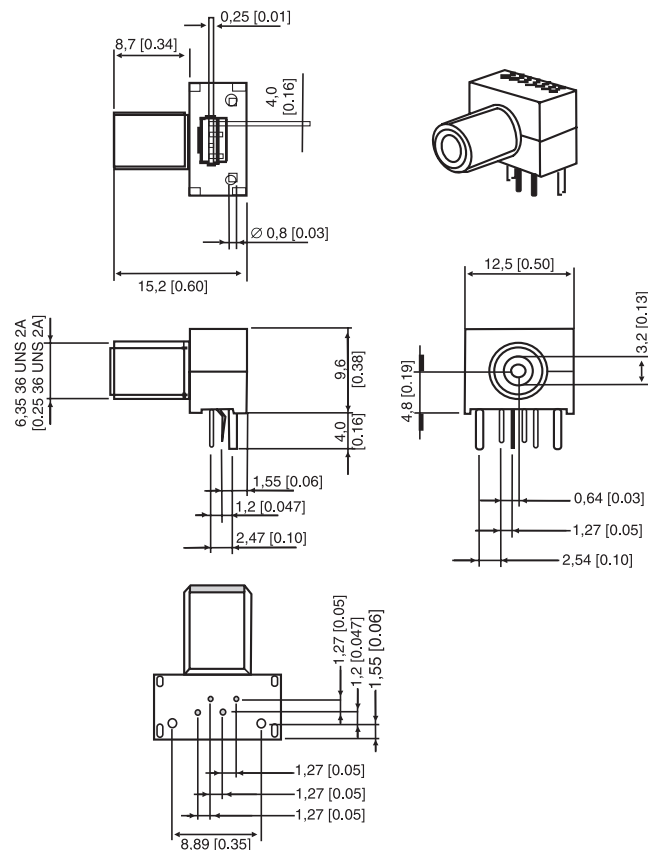
The HFE7000-210 is a 50 Mbps LED designed to meet the data transmission requirements needed in factory and office automation. The 650 nm wavelength provides operation for the low attenuation area of PMMA (Polymethylmethacrylat) fibers. The plastic SMA housing delivers a cost-effective module that can be easily mounted on a PCB. The HFE7000-210 is designed to work with Honeywell's high-speed receivers, HFD7000-XXX and HFD7500-XXX.

APPLICATIONS

Designed for data transmission in factory automation and office settings. The HFE7000-210 delivers high speed and short distance links.

FIGURE 1. PACKAGE INFORMATION

Outline dimensions mm [in] (for reference only)



Fiber Optic Components

50 Mbps 650 nm LED

HFE7000-210

ABSOLUTE MAXIMUM RATINGS ($T_A = 25\text{ }^\circ\text{C}$ [77 °F])

Parameter	Symbol	Rating
Forward current	I_f	40 mA
Reverse voltage	V_R	5 V
Power dissipation ¹	P_{Max}	250 mW
Soldering temperature	T_{Sold}	230 °C [446 °F] for 5 sec
Operating temperature	T_{Op}	0 °C to 70 °C [32 °F to 338 °F]
Storage temperature	T_{Stor}	-40 °C to 85 °C [-40 °F to 185 °F]

¹ Derate power dissipation at a rate of 1.7 mW/°C above $T_A = 25\text{ }^\circ\text{C}$ [77 °F].

ELECTRO-OPTICAL CHARACTERISTICS ($T_A = 25\text{ }^\circ\text{C}$ [77 °F])

Parameters	Test Condition	Symbol	Min.	Typ.	Max.	Unit
Data rate	Driven by recommended circuit	f_D	dc		50	Mbps
Forward voltage	$I_f = 20\text{ mA}$	V_f		1.9	2.3	V
Reverse current	$V_r = 5\text{ V}$	I_r			10	μA
Output power	$I_f = 10\text{ mA}$	P_o	-10			dBm
	$I_f = 20\text{ mA}$	P_o	-7			dBm
Peak wavelength	$I_f = 20\text{ mA}$	λ_p		650		nm
Spectral halfwidth ¹	$I_f = 20\text{ mA}$	$\Delta\lambda$		20		nm
Rise time ²	$I_f = 20\text{ mA}$	t_r			8	ns
Fall time ²	$I_f = 20\text{ mA}$	t_f			8	ns

¹ Output from a 1,0 m [39.37 in] long, 1,0 mm [0.04 in] diameter plastic fiber (GH4001 made by Mitsubishi Rayon). Measured with recommended drive circuit.

² Time required for change in the output as shown below. Measured with recommended drive circuit (Figure 7).

FIGURE 2. TYPICAL OUTPUT WAVEFORM

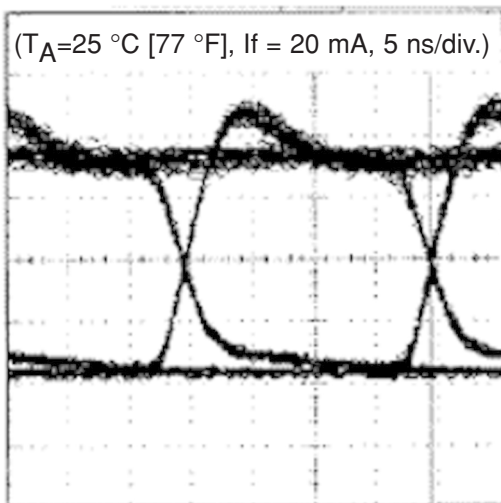
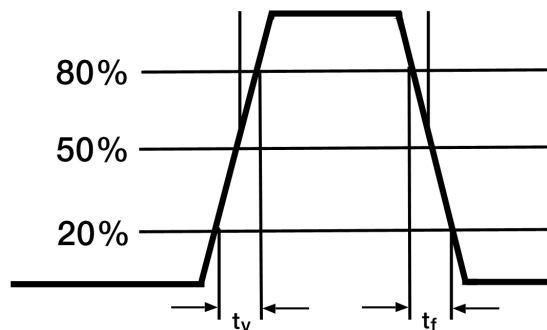


FIGURE 3. RISE/FALL TIME



ORDER GUIDE

Catalog Listing	Description
HFE7000-210	650 nm LED in plastic SMA housing

Fiber Optic Components

50 Mbps 650 nm LED

HFE7000-210

FIGURE 4. TYPICAL LIGHT OUTPUT VS. LED CURRENT

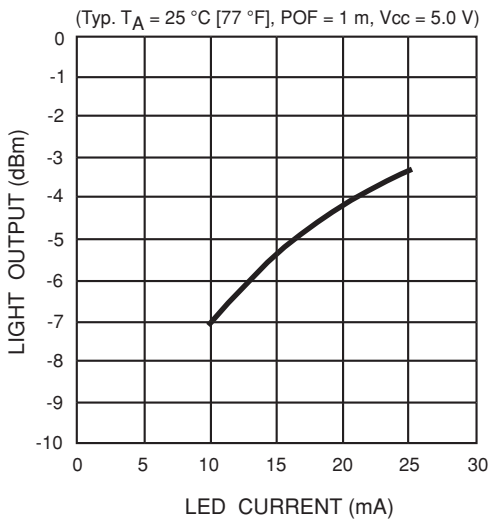


FIGURE 5. TYPICAL EMISSION SPECTRUM

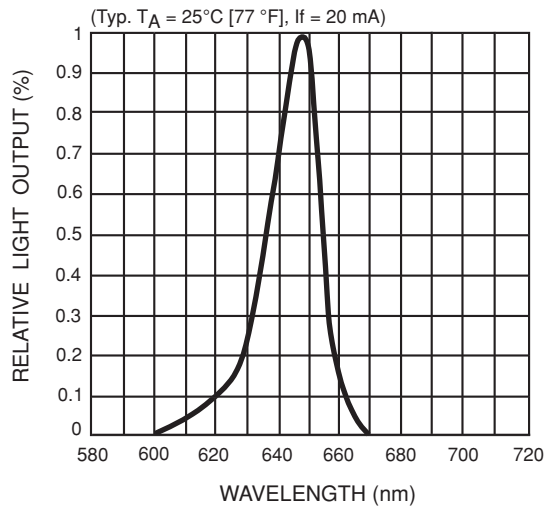


FIGURE 6. TYPICAL LIGHT OUTPUT VS. TEMP.

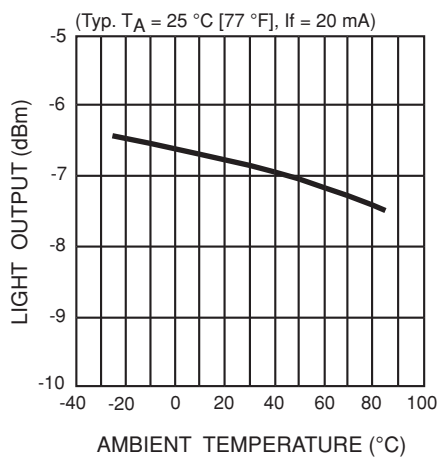
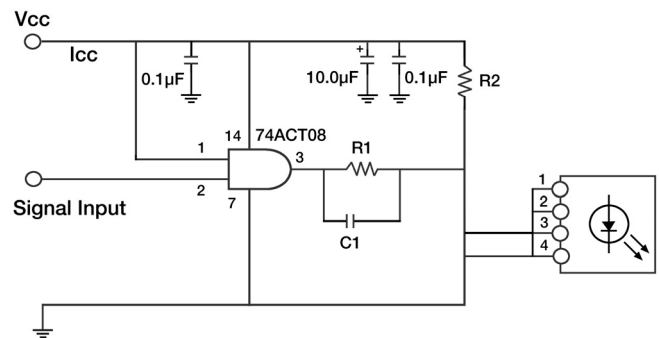


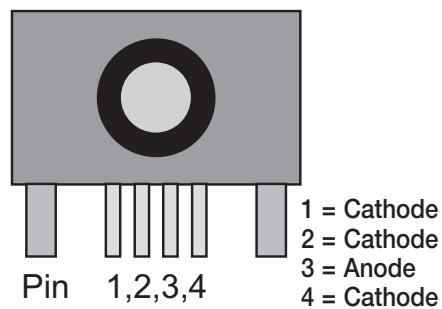
FIGURE 7. RECOMMENDED DRIVE CIRCUIT
($R_1 = 300\ \Omega$, $R_2 = 750\ \Omega$, $C_1 = 77\text{ pF}$)



NOTICE

The inherent design of this component causes it to be sensitive to electrostatic discharge (ESD). To prevent ESD-induced damage and/or degradation to equipment, take normal ESD precautions when handling this product.

FIGURE 8. PINOUT



Fiber Optic Components

50 Mbps 650 nm LED

HFE7000-210

WARRANTY/REMEDY

Honeywell warrants goods of its manufacture as being free of defective material and faulty workmanship. Contact your local sales office for warranty information. If warranted goods are returned to Honeywell during that period of coverage, Honeywell will repair or replace without charge those items it finds defective. **The foregoing is Buyer's sole remedy and is in lieu of all other warranties, expressed or implied, including those of merchantability and fitness for a particular purpose.**

While we provide application assistance, personally, through our literature and the Honeywell web site, it is up to the customer to determine the suitability of the product in the application.

Specifications may change at any time without notice. The information we supply is believed to be accurate and reliable as of this printing. However, we assume no responsibility for its use.

SALES AND SERVICE

Honeywell serves its customers through a world-wide network of sales offices and distributors.

For application assistance, current specifications, pricing, or name of the nearest Authorized Distributor, contact a nearby sales office or call:

TELEPHONE

Germany	+49(0)89 3581 3310
UK	+44(0) 1698 481 481
USA & Canada	1-800-537-6945
International	1-815-235-6847

INTERNET

<http://www.honeywell.com/sensing>
e-mail: info.sc@honeywell.com

Honeywell

Sensing and Control
Honeywell
11 West Spring Street
Freeport, Illinois 61032

www.honeywell.com/sensing

100102-1-EN IL50 GLO 0104
Copyright 2003-2004 Honeywell International Inc. All Rights Reserved.