



Chipsmall Limited consists of a professional team with an average of over 10 year of expertise in the distribution of electronic components. Based in Hongkong, we have already established firm and mutual-benefit business relationships with customers from,Europe,America and south Asia,supplying obsolete and hard-to-find components to meet their specific needs.

With the principle of “Quality Parts,Customers Priority,Honest Operation,and Considerate Service”,our business mainly focus on the distribution of electronic components. Line cards we deal with include Microchip,ALPS,ROHM,Xilinx,Pulse,ON,Everlight and Freescale. Main products comprise IC,Modules,Potentiometer,IC Socket,Relay,Connector.Our parts cover such applications as commercial,industrial, and automotives areas.

We are looking forward to setting up business relationship with you and hope to provide you with the best service and solution. Let us make a better world for our industry!



Contact us

Tel: +86-755-8981 8866 Fax: +86-755-8427 6832

Email & Skype: info@chipsmall.com Web: www.chipsmall.com

Address: A1208, Overseas Decoration Building, #122 Zhenhua RD., Futian, Shenzhen, China



SPECIFICATIONS

ELECTRICAL

SUPPLY VOLTAGE	5.0V DC
CENTER VOLTAGE	2.5V DC
SUPPLY CURRENT	10mA max/axis
OUTPUT CURRENT	2mA max/axis
EFFECTIVE OUTPUT	0V – 5V DC
OUTPUT TOLERANCE	±2%

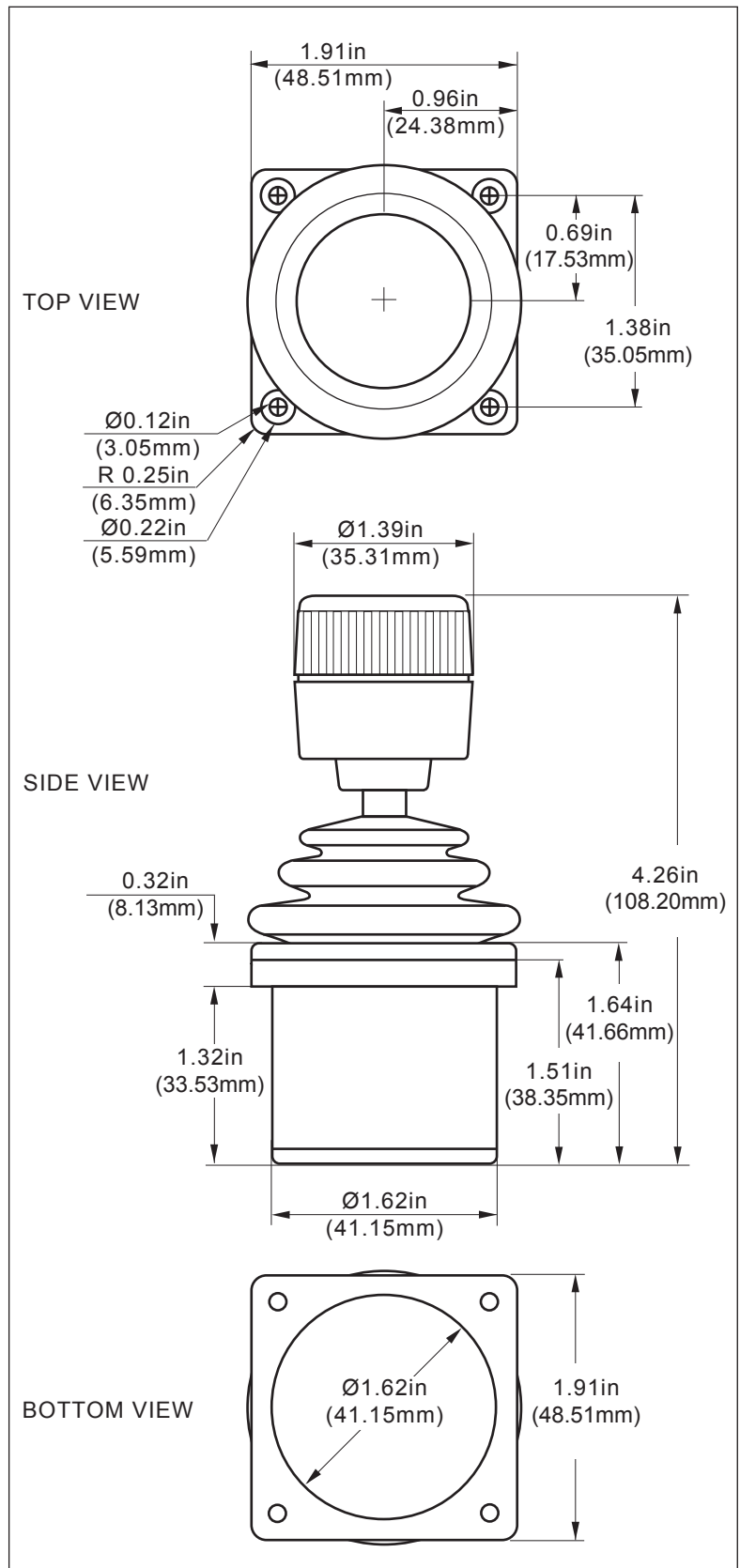
MECHANICAL

OPERATING TRAVEL	36° (18° from center)
CENTERING	Single spring, omnidirectional
BREAKOUT FORCE	0.109Nm
OPERATING FORCE	0.151Nm
MAXIMUM FORCE	0.169Nm
OPERATING TEMP	-40°C to +85°C
LIFE EXPECTANCY	10 million operations

WIRING

RED	Supply voltage
BLACK	Ground
BLUE	X-Axis
YELLOW	Y-Axis
GREEN	Z-Axis

RoHS compliant



CH
Products

P/N

HFX-33S10

REV
A

DESCRIPTION

Series I – 3 Axes, no Button

PROPRIETARY AND CONFIDENTIAL

THE INFORMATION CONTAINED IN THIS DRAWING IS THE SOLE PROPERTY OF CH PRODUCTS. ANY REPRODUCTION IN PART OR AS WHOLE WITHOUT THE WRITTEN PERMISSION OF CH PRODUCTS IS PROHIBITED.