



Chipsmall Limited consists of a professional team with an average of over 10 year of expertise in the distribution of electronic components. Based in Hongkong, we have already established firm and mutual-benefit business relationships with customers from,Europe,America and south Asia,supplying obsolete and hard-to-find components to meet their specific needs.

With the principle of "Quality Parts,Customers Priority,Honest Operation,and Considerate Service",our business mainly focus on the distribution of electronic components. Line cards we deal with include Microchip,ALPS,ROHM,Xilinx,Pulse,ON,Everlight and Freescale. Main products comprise IC,Modules,Potentiometer,IC Socket,Relay,Connector.Our parts cover such applications as commercial,industrial, and automotives areas.

We are looking forward to setting up business relationship with you and hope to provide you with the best service and solution. Let us make a better world for our industry!



Contact us

Tel: +86-755-8981 8866 Fax: +86-755-8427 6832

Email & Skype: info@chipsmall.com Web: www.chipsmall.com

Address: A1208, Overseas Decoration Building, #122 Zhenhua RD., Futian, Shenzhen, China



SPECIFICATIONS

ELECTRICAL

| | |
|------------------|---------------|
| SUPPLY VOLTAGE | 5.0V DC |
| CENTER VOLTAGE | 2.5V DC |
| SUPPLY CURRENT | 10mA max/axis |
| OUTPUT CURRENT | 2mA max/axis |
| EFFECTIVE OUTPUT | 0V – 5V DC |
| OUTPUT TOLERANCE | ±2% |

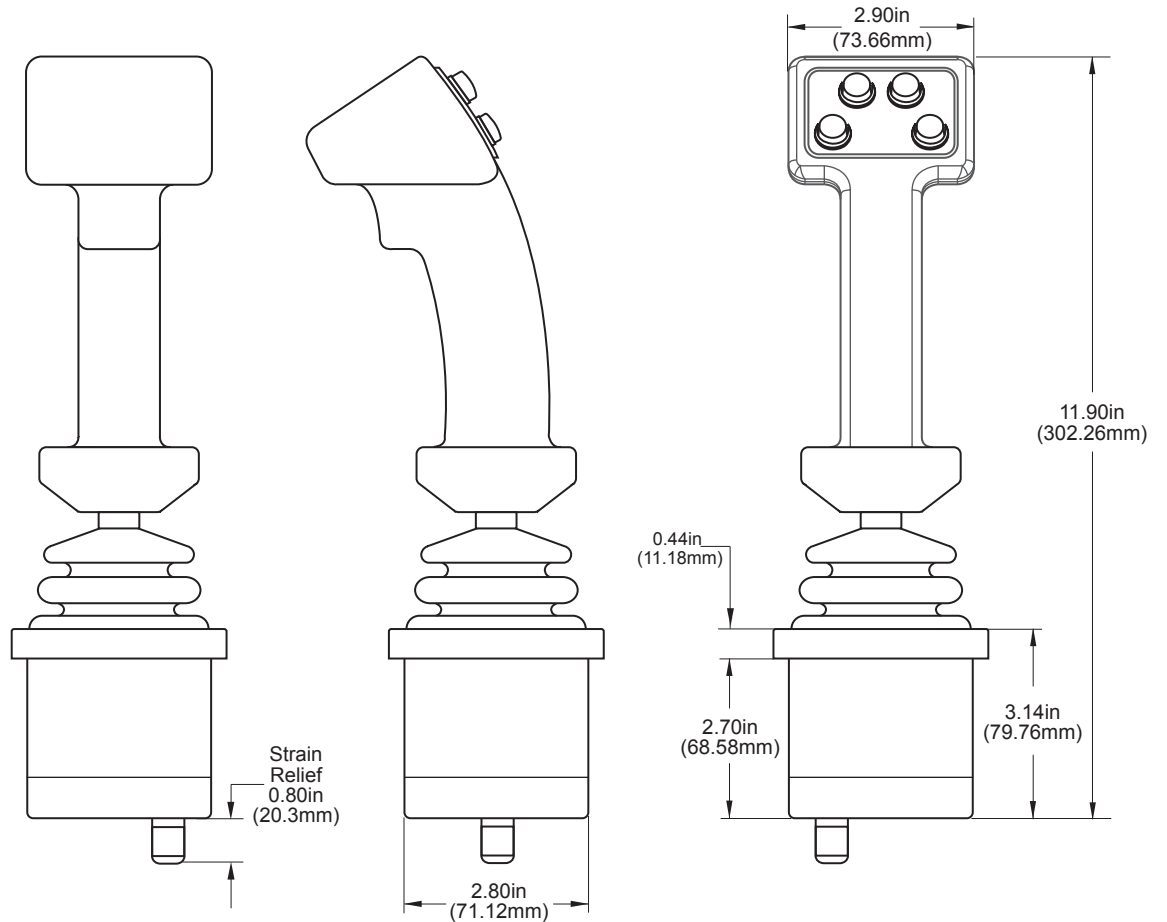
MECHANICAL

| | |
|------------------|--------------------------------|
| OPERATING TRAVEL | 38° (19° from center) |
| CENTERING | Single spring, omnidirectional |
| BREAKOUT FORCE | 1.3Nm |
| OPERATING FORCE | 1.5Nm |
| MAXIMUM FORCE | 1.7Nm |
| OPERATING TEMP | -40°C to +85°C |
| LIFE EXPECTANCY | 10 million operations |

WIRING

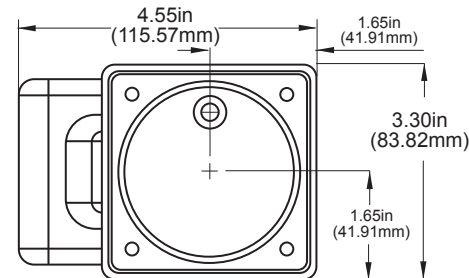
| | |
|--------|----------------|
| RED | Supply voltage |
| BLACK | Ground |
| BLUE | X-Axis |
| YELLOW | Y-Axis |
| ORANGE | Switch 1 |
| VIOLET | Switch 2 |
| GRAY | Switch 3 |
| BROWN | Switch 4 |
| WHITE | Switch common |

RoHS compliant

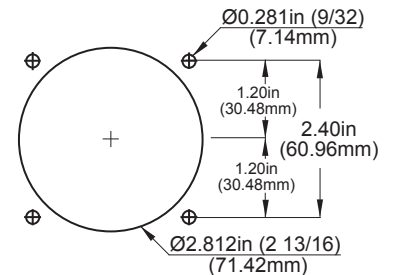


Notes:

- Drop-in mounting only
- Standard HG joysticks are assembled with Strain Relief (.80in)
- Lower profile housings are also available (contact Sales for details)



Mounting Cutout Dimensions



CH
Products

P/N

HG-3340S000

REV
A

DESCRIPTION

Series IV – Multi, Square, 2 Axes, 4 Top Buttons

PROPRIETARY AND CONFIDENTIAL

THE INFORMATION CONTAINED IN THIS DRAWING IS THE SOLE PROPERTY OF CH PRODUCTS. ANY REPRODUCTION IN PART OR AS WHOLE WITHOUT THE WRITTEN PERMISSION OF CH PRODUCTS IS PROHIBITED.