



Chipsmall Limited consists of a professional team with an average of over 10 year of expertise in the distribution of electronic components. Based in Hongkong, we have already established firm and mutual-benefit business relationships with customers from,Europe,America and south Asia,supplying obsolete and hard-to-find components to meet their specific needs.

With the principle of “Quality Parts,Customers Priority,Honest Operation,and Considerate Service”,our business mainly focus on the distribution of electronic components. Line cards we deal with include Microchip,ALPS,ROHM,Xilinx,Pulse,ON,Everlight and Freescale. Main products comprise IC,Modules,Potentiometer,IC Socket,Relay,Connector.Our parts cover such applications as commercial,industrial, and automotives areas.

We are looking forward to setting up business relationship with you and hope to provide you with the best service and solution. Let us make a better world for our industry!



## Contact us

Tel: +86-755-8981 8866 Fax: +86-755-8427 6832

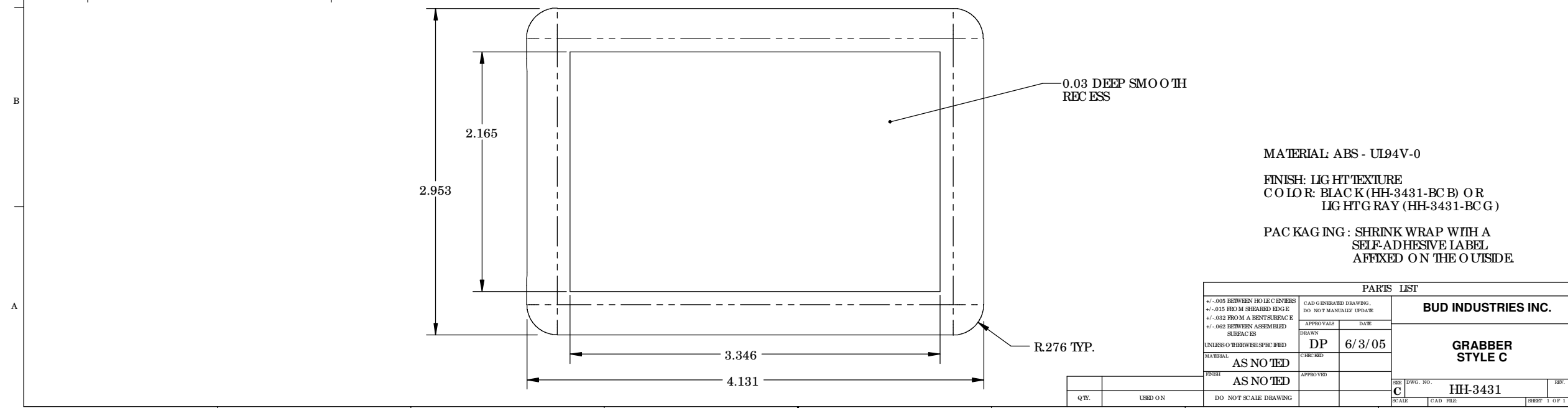
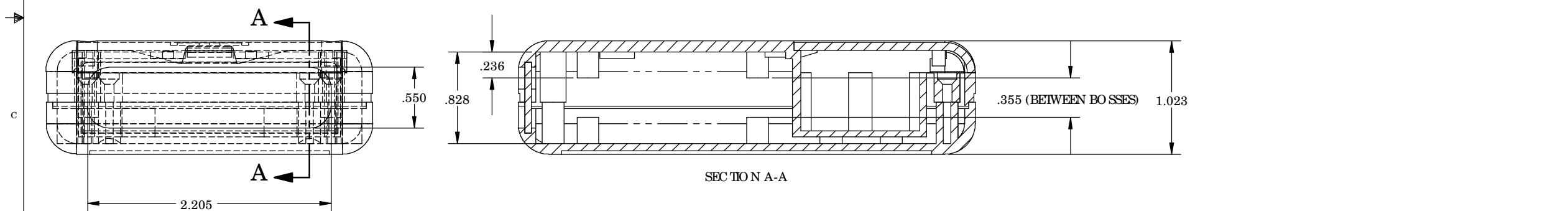
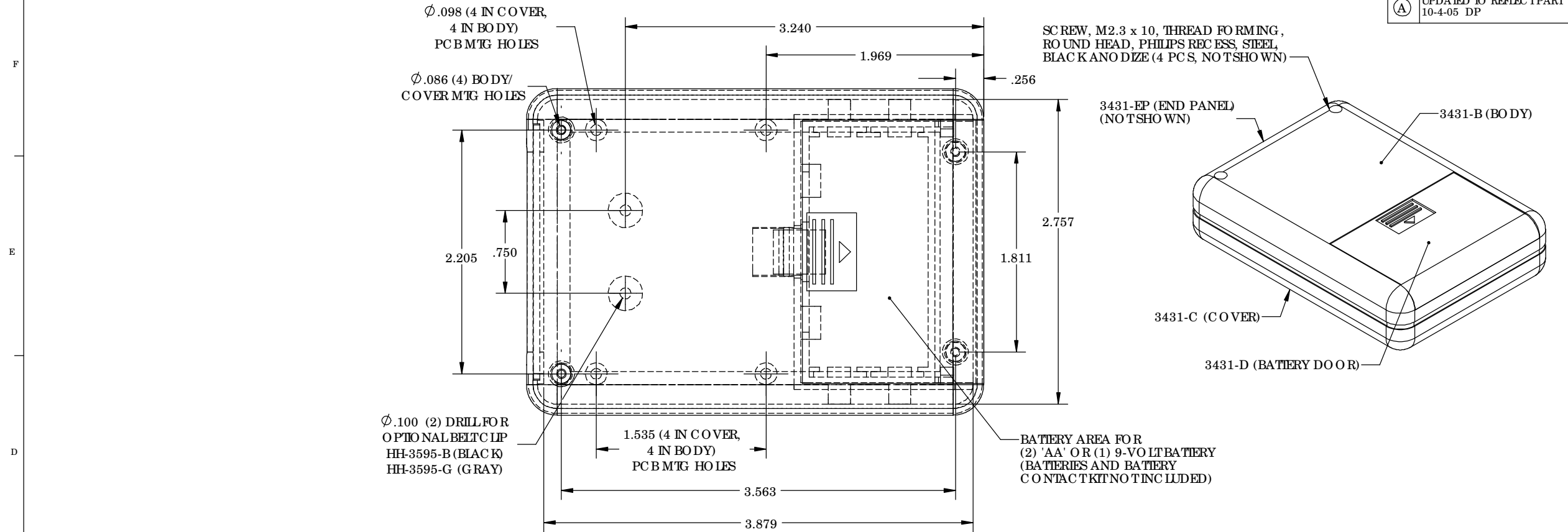
Email & Skype: info@chipsmall.com Web: www.chipsmall.com

Address: A1208, Overseas Decoration Building, #122 Zhenhua RD., Futian, Shenzhen, China



THE INFORMATION CONTAINED IN THIS DRAWING IS THE SOLE PROPERTY OF BUD INDUSTRIES INC. ANY REPRODUCTION IN PART OR WHOLE WITHOUT THE WRITTEN PERMISSION OF BUD INDUSTRIES INC. IS PROHIBITED.

DWG. NO.	HH-3431
ISSUE	REVISIONS
(A)	UPDATED TO REFLECT PART 10-4-05 DP



PARTS LIST			
+/- .005 BETWEEN HOLES CENTERS		CAD GENERATED DRAWING, DO NOT MANUALLY UPDATE	
+/- .015 FROM SHEARED EDGE		APPROVALS	DATE
+/- .032 FROM A BENT SURFACE		DRAWN	DP 6/3/05
+/- .062 BETWEEN ASSEMBLED SURFACES		CHECKED	
UNLESS OTHERWISE SPECIFIED		APPROVED	
MATERIAL		AS NOTED	
FINISH		AS NOTED	
SCALE		DO NOT SCALE DRAWING	
QTY.		USED ON	
SCALE		CAD FILE	
SER.		ISS.	
C		HH-3431	
SCALE		CAD FILE	
SER.		ISS.	
1		1 OF 1	

MATERIAL: ABS - UL94V-0  
 FINISH: LIGHT TEXTURE  
 COLOR: BLACK (HH-3431-BCB) OR LIGHT GRAY (HH-3431-BCG)  
 PACKAGING: SHRINK WRAP WITH A SELF-ADHESIVE LABEL AFFIXED ON THE OUTSIDE