



Chipsmall Limited consists of a professional team with an average of over 10 year of expertise in the distribution of electronic components. Based in Hongkong, we have already established firm and mutual-benefit business relationships with customers from,Europe,America and south Asia,supplying obsolete and hard-to-find components to meet their specific needs.

With the principle of "Quality Parts,Customers Priority,Honest Operation,and Considerate Service",our business mainly focus on the distribution of electronic components. Line cards we deal with include Microchip,ALPS,ROHM,Xilinx,Pulse,ON,Everlight and Freescale. Main products comprise IC,Modules,Potentiometer,IC Socket,Relay,Connector.Our parts cover such applications as commercial,industrial, and automotives areas.

We are looking forward to setting up business relationship with you and hope to provide you with the best service and solution. Let us make a better world for our industry!



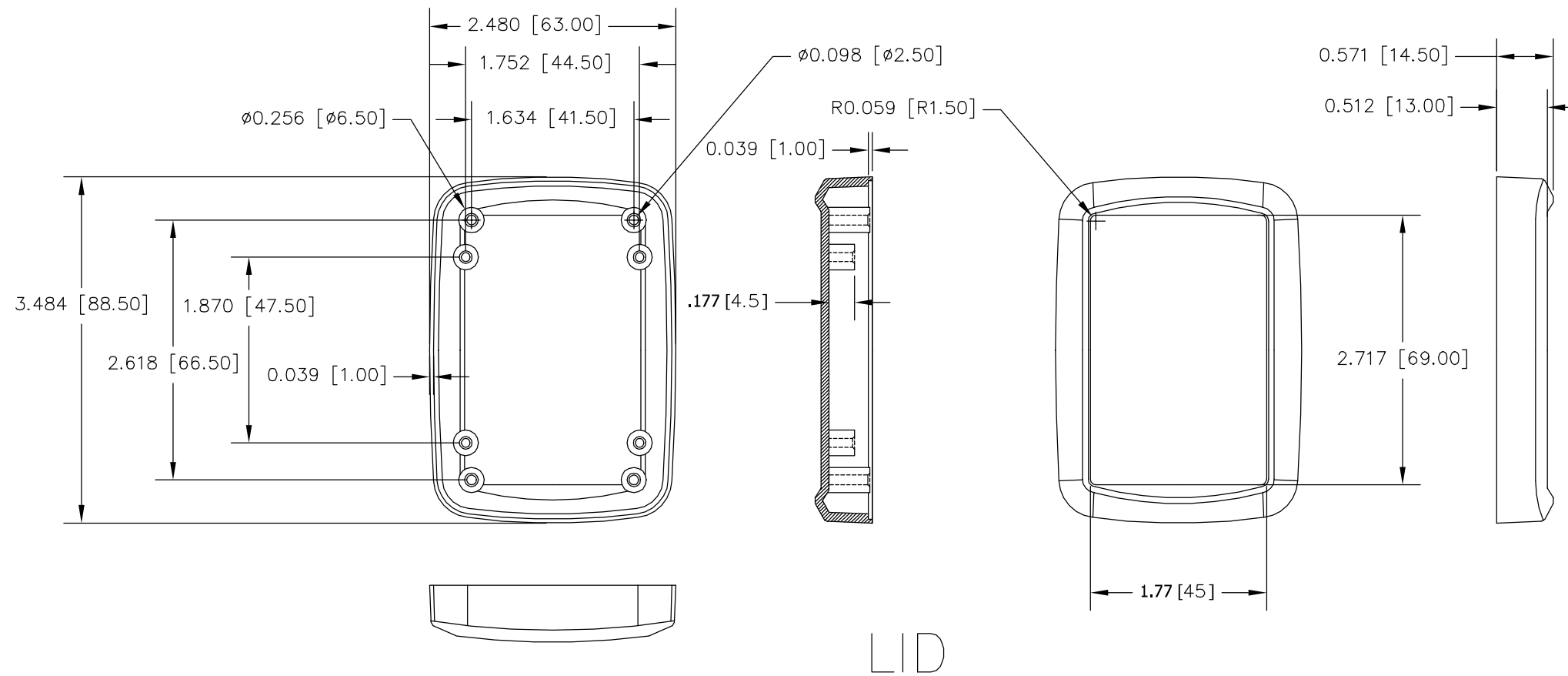
## Contact us

Tel: +86-755-8981 8866 Fax: +86-755-8427 6832

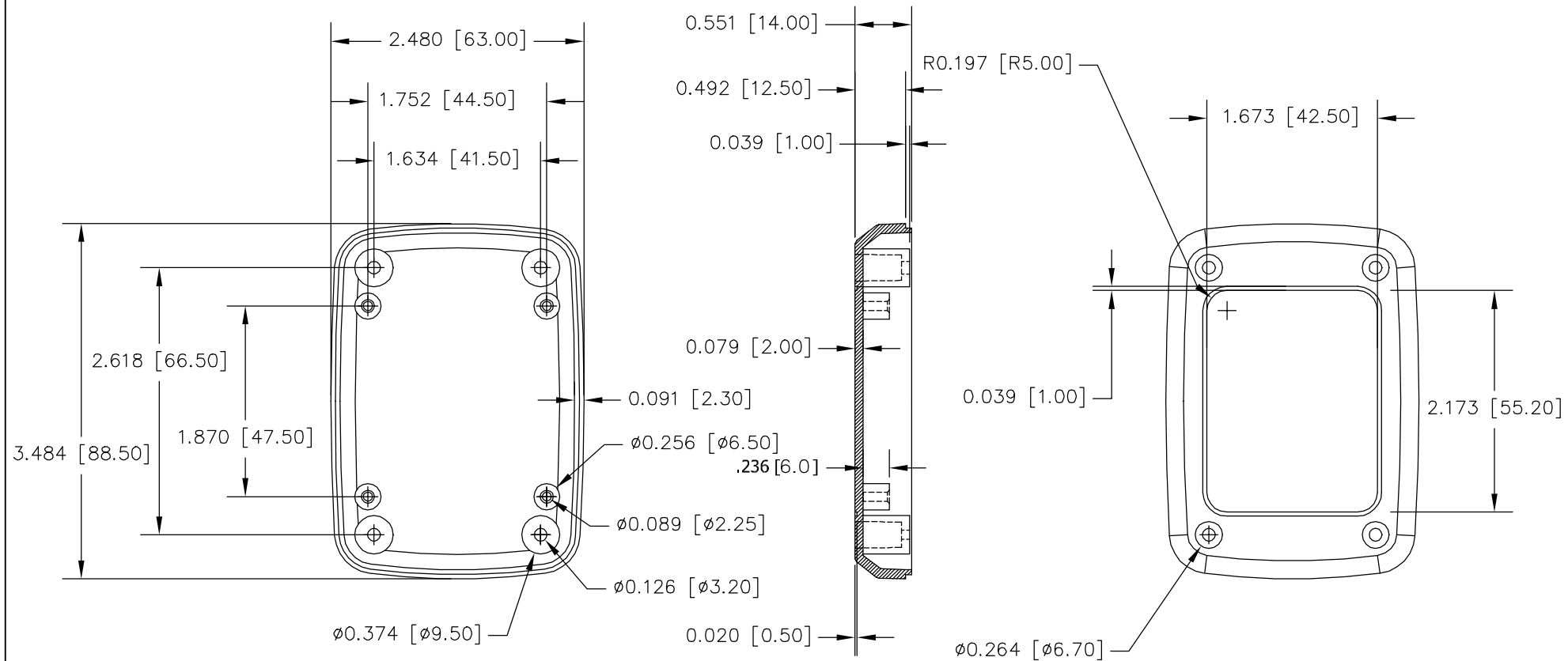
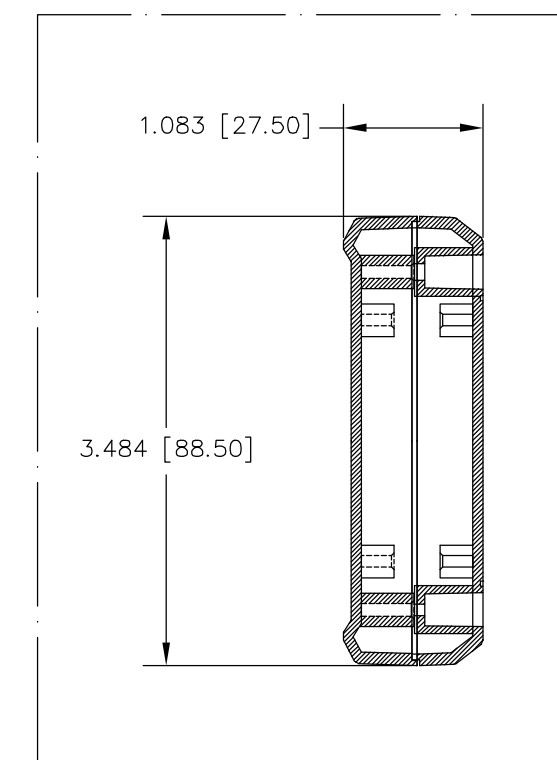
Email & Skype: info@chipsmall.com Web: www.chipsmall.com

Address: A1208, Overseas Decoration Building, #122 Zhenhua RD., Futian, Shenzhen, China





LID



BASE

MATERIAL : FLAME RETARDANT OF ABS ( UL94-V0 )  
 COLOR: BLACK  
 FINISH:  
 SHELL EXTERIOR SURFACES ARE TEXTURED.  
 RECESSED AREAS ON EXTERIOR ARE SMOOTH.  
 FOUR (4) INTERNAL BOSSES ON EACH SHELL ARE  
 DESIGNED TO TRAP PCB BETWEEN ASSEMBLED  
 SHELL HALVES.  
 FOUR (4) #4 SCREWS ARE SUPPLIED FOR ASSEMBLING  
 SHELL HALVES  
 ALL DIMENSIONAL TOLERANCES ARE +/-0.15

ITEM	REQ'D.	PART NO.	DESCRIPTION
			NAME:
			HAND-HELD BOX STYLE P
			3.47 X 2.48 X 1.08
			DWG. NO. HH-3642
QTY.	USED ON	TOLERANCES:	
		±.005 BETWEEN HOLE CENTERS	
		±.015 FROM SHEARED EDGE	
		±.032 FROM A BENT SURFACE	
		±.063 BETWEEN ASSEMBLED SURFACES	
		UNLESS OTHERWISE SPECIFIED	
		MAT:	NOTED
		FINISH:	BLACK
		DR. RD	10-13-08
		CH.	
		APP.	
		SCALE:	
			BUD
			BUD INDUSTRIES, INC.
			WILLOUGHBY, OHIO