



Chipsmall Limited consists of a professional team with an average of over 10 year of expertise in the distribution of electronic components. Based in Hongkong, we have already established firm and mutual-benefit business relationships with customers from,Europe,America and south Asia,supplying obsolete and hard-to-find components to meet their specific needs.

With the principle of "Quality Parts,Customers Priority,Honest Operation,and Considerate Service",our business mainly focus on the distribution of electronic components. Line cards we deal with include Microchip,ALPS,ROHM,Xilinx,Pulse,ON,Everlight and Freescale. Main products comprise IC,Modules,Potentiometer,IC Socket,Relay,Connector.Our parts cover such applications as commercial,industrial, and automotives areas.

We are looking forward to setting up business relationship with you and hope to provide you with the best service and solution. Let us make a better world for our industry!



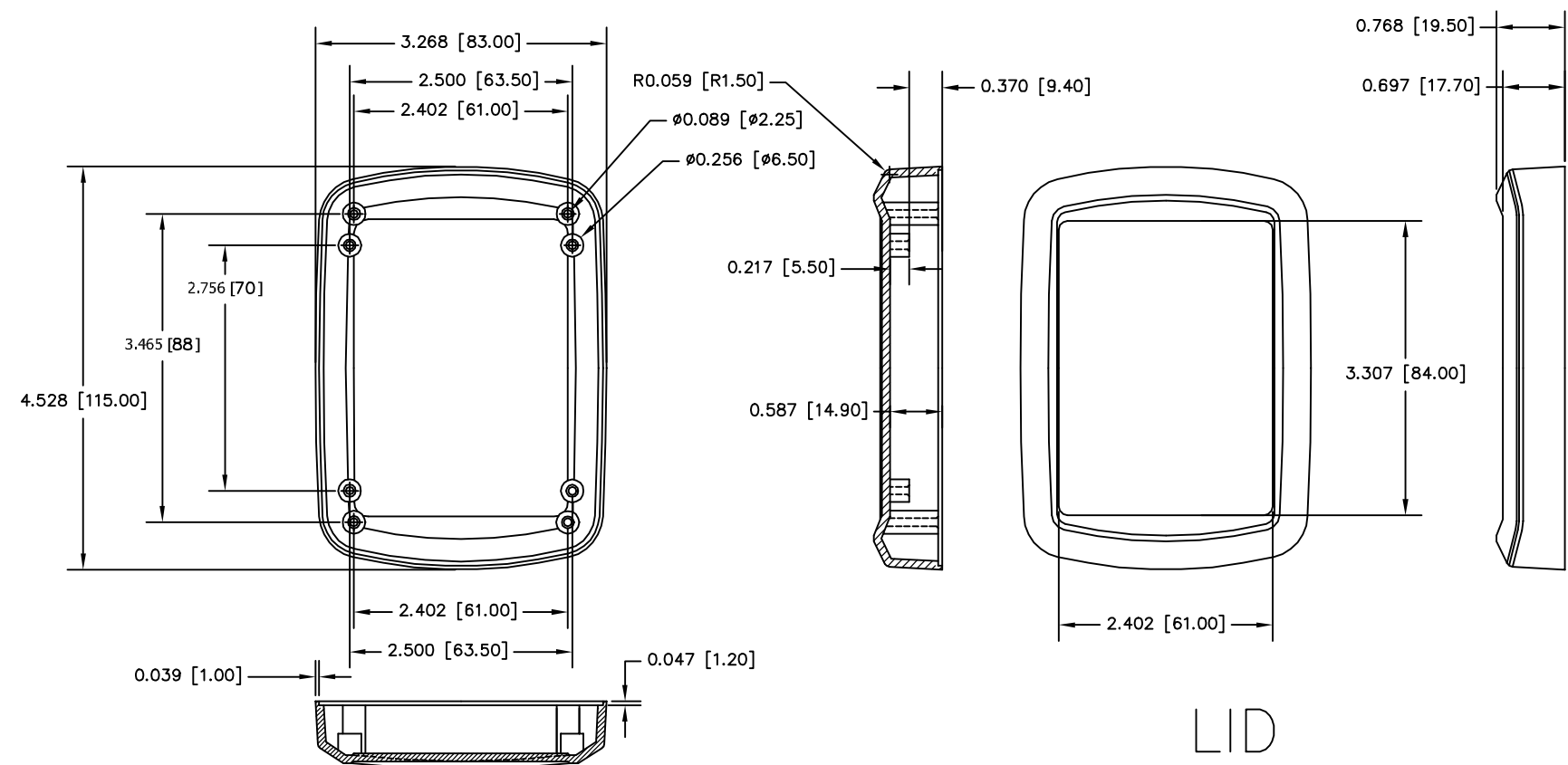
Contact us

Tel: +86-755-8981 8866 Fax: +86-755-8427 6832

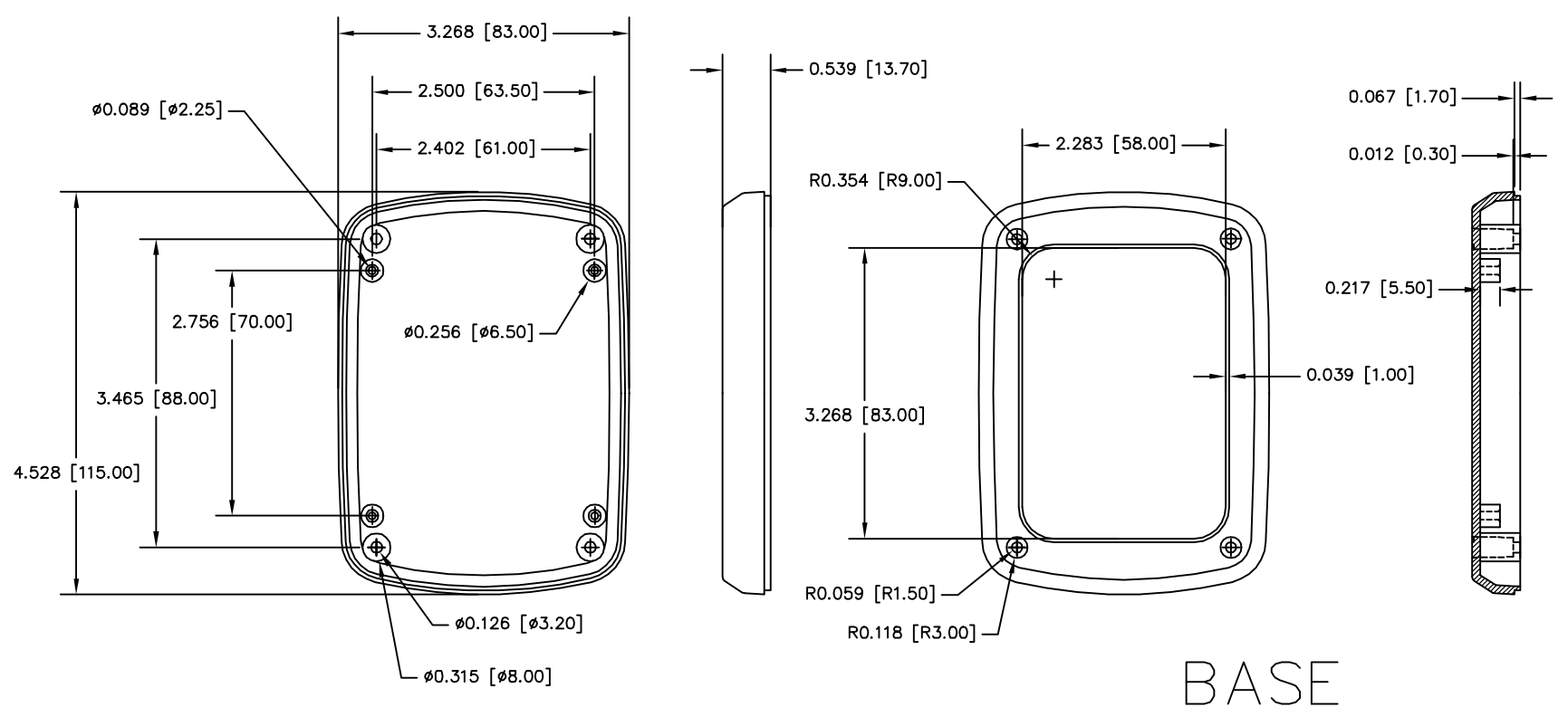
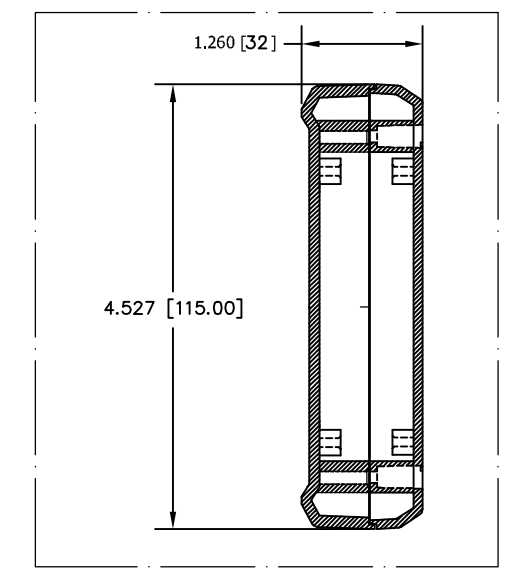
Email & Skype: info@chipsmall.com Web: www.chipsmall.com

Address: A1208, Overseas Decoration Building, #122 Zhenhua RD., Futian, Shenzhen, China





LID



BASE

MATERIAL : FLAME RETARDANT OF ABS (UL94-V0)
 COLOR: BLACK
 FINISH:
 SHELL EXTERIOR SURFACES ARE TEXTURED.
 RECESSED AREAS ON EXTERIOR ARE SMOOTH.
 FOUR (4) INTERNAL BOSSES ON EACH SHELL ARE
 DESIGNED TO TRAP PCB BETWEEN ASSEMBLED
 SHELL HALVES.
 FOUR (4) #4 SCREWS ARE SUPPLIED FOR ASSEMBLING SHELL HALVES
 ALL DIMENSIONAL TOLERANCES ARE +/-0.015

QTY.	USED ON	TOLERANCES: ±.005 BETWEEN HOLE CENTERS ±.015 FROM SHEARED EDGE ±.032 FROM A BENT SURFACE ±.063 BETWEEN ASSEMBLED SURFACES UNLESS OTHERWISE SPECIFIED	ITEM REQ'D.	PART NO.	SCALE:	DESCRIPTION
			MAT: NOTED			NAME: HAND-HELD BOX STYLE P 4.53 X 3.27 X 1.26
			FINISH: BLACK			
			DR. RD 10-13-08			
			CH.			
			APP.			DWG. NO. HH-3643