



Chipsmall Limited consists of a professional team with an average of over 10 year of expertise in the distribution of electronic components. Based in Hongkong, we have already established firm and mutual-benefit business relationships with customers from,Europe,America and south Asia,supplying obsolete and hard-to-find components to meet their specific needs.

With the principle of “Quality Parts,Customers Priority,Honest Operation,and Considerate Service”,our business mainly focus on the distribution of electronic components. Line cards we deal with include Microchip,ALPS,ROHM,Xilinx,Pulse,ON,Everlight and Freescale. Main products comprise IC,Modules,Potentiometer,IC Socket,Relay,Connector.Our parts cover such applications as commercial,industrial, and automotives areas.

We are looking forward to setting up business relationship with you and hope to provide you with the best service and solution. Let us make a better world for our industry!



Contact us

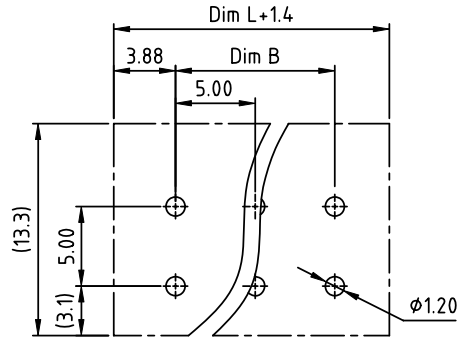
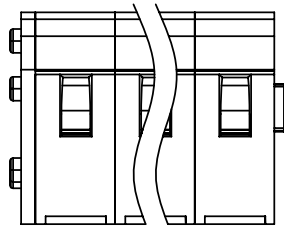
Tel: +86-755-8981 8866 Fax: +86-755-8427 6832

Email & Skype: info@chipsmall.com Web: www.chipsmall.com

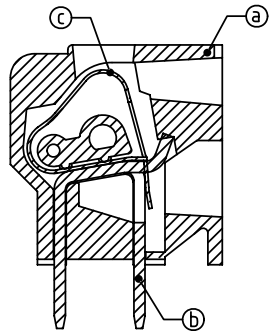
Address: A1208, Overseas Decoration Building, #122 Zhenhua RD., Futian, Shenzhen, China



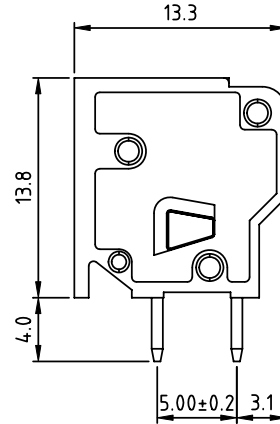
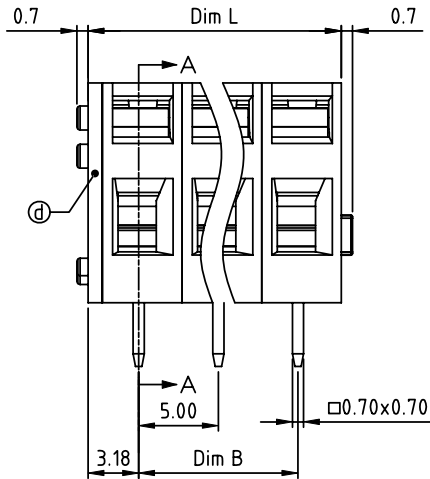
PRODUCT NUMBER	PITCH
HHxx00x000JOG	5.00mm



RECOMMENDED P.C.B LAYOUT
TOP VIEW



SECTION A-A



Material:

- Item①Terminal housing: Thermoplastic (UL94V-0)
- Item②Solder Pin: Brass Tin plated
- Item③Spring clamp: Stainless steel
- Item④Terminal Cover: Thermoplastic (UL94V-0)

Electrical:

- Voltage rating: 300 V
- Current rating: 15A
- Wire range:
- Solid wire(AWG): 14-28
- Stranded wire(AWG): 14-28
- Wire strip length: 6-7 mm
- Withstanding Voltage: 1.6KV
- Operating temperature: -40°C to +115°C
- Soldering temperature: 260°C±5°C/5 Sec
- Safety Approval:

N=Number of poles
Dim L=N×5.0+0.9
Dim B=(N-1)×5.0

Poles	Dim L	Dim B
2-6p	±0.20	±0.15
7-12p	±0.30	±0.25
13-18p	±0.40	±0.35
19-24p	±0.45	±0.40

PART NO.: HH xx 00 x 000JOG

No. of poles	Color	RoHS compliant
0	Black (RAL9005)	(lead<4%)
2	Red (RAL3001/D)	In copper Alloy
3	Orange(RAL2011/P)	
4	Yellow(RAL1018/A)	
5	Green(RAL6018/T)	
6	Blue (RAL5015/A)	
8	Grey(RAL7004/P)	
9	White(RAL1102)	
C	Multiple colors	

mat'l. code		surface ASME Y14.5	tolerance ASME Y14.5	projection	product family
ltr ecn no dr date		tolerances unless otherwise specified			TERMINAL BLOCK
angles		X.±0.5		MM	title
X°±1'		X.X±0.3			TERMINAL BLOCK
		X.XX±0.1		scale	SPRING CLAMP,180D WIRE INLET
dr	EVIN ZHONG	052914			dwg no
enr	EVIN ZHONG	052914			sheet 1 of 1
chr	HANKE FENG	052914			size
appd	SHI JUN	052914			A4
sheet index	revision sheet	A			type
		1			CUSTOMER Drawing