



Chipsmall Limited consists of a professional team with an average of over 10 year of expertise in the distribution of electronic components. Based in Hongkong, we have already established firm and mutual-benefit business relationships with customers from,Europe,America and south Asia,supplying obsolete and hard-to-find components to meet their specific needs.

With the principle of "Quality Parts,Customers Priority,Honest Operation,and Considerate Service",our business mainly focus on the distribution of electronic components. Line cards we deal with include Microchip,ALPS,ROHM,Xilinx,Pulse,ON,Everlight and Freescale. Main products comprise IC,Modules,Potentiometer,IC Socket,Relay,Connector.Our parts cover such applications as commercial,industrial, and automotives areas.

We are looking forward to setting up business relationship with you and hope to provide you with the best service and solution. Let us make a better world for our industry!



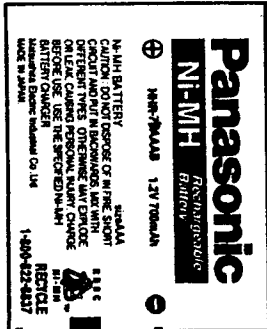
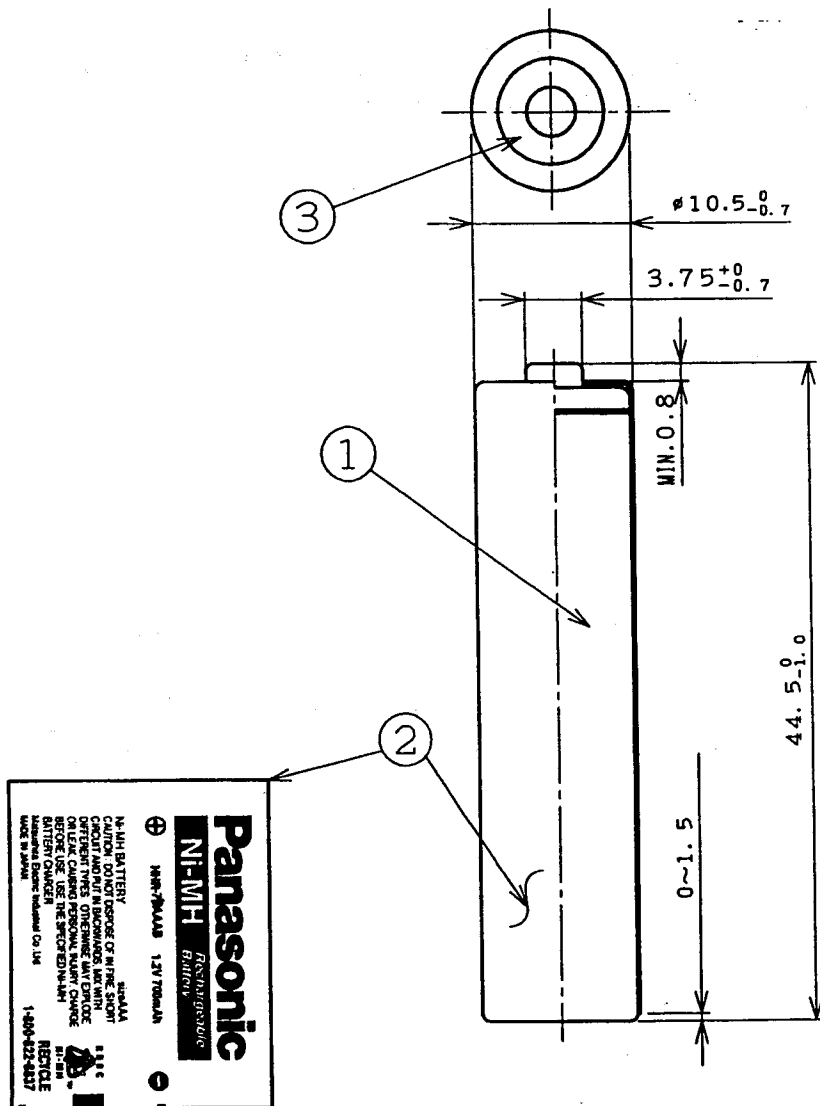
## Contact us

Tel: +86-755-8981 8866 Fax: +86-755-8427 6832

Email & Skype: info@chipsmall.com Web: www.chipsmall.com

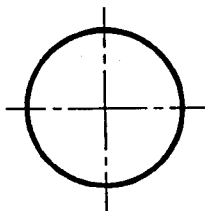
Address: A1208, Overseas Decoration Building, #122 Zhenhua RD., Futian, Shenzhen, China





※HEAT STAMP: DATE CODE

EX: 0105  
 Year Month



NOMINAL VOLTAGE : 1.2V  
 MINIMUM CAPACITY : 650mAh  
 AVERAGE CAPACITY : 680mAh  
 (FOR REFERENCE ONLY)  
 APPROX WEIGHT : 12g

3	INSULATOR	PAPER	1		
2	OUTER JACKET	P. V. C. TUBE	1	HEAT STAMP: DATE CODE	
1	CELL	HHR70AAAB	1	CHARGED	
Sym.	Item or Code No.	Material & Size	qt.	Process	Remark
			Model No.	HHR-70AAAC7B	
			Name	DIMENSION SKETCH	
			No.	C2101053002	
Scale	Designed	Drawn	Checked	Approved	
2/1	<i>R. Burton</i>	<i>R. Burton</i>	<i>St. J. ...</i>	<i>M. Thoby</i>	
	30. MAR. 01	30. MAR. 01			