



Chipsmall Limited consists of a professional team with an average of over 10 year of expertise in the distribution of electronic components. Based in Hongkong, we have already established firm and mutual-benefit business relationships with customers from,Europe,America and south Asia,supplying obsolete and hard-to-find components to meet their specific needs.

With the principle of “Quality Parts,Customers Priority,Honest Operation,and Considerate Service”,our business mainly focus on the distribution of electronic components. Line cards we deal with include Microchip,ALPS,ROHM,Xilinx,Pulse,ON,Everlight and Freescale. Main products comprise IC,Modules,Potentiometer,IC Socket,Relay,Connector.Our parts cover such applications as commercial,industrial, and automotives areas.

We are looking forward to setting up business relationship with you and hope to provide you with the best service and solution. Let us make a better world for our industry!



Contact us

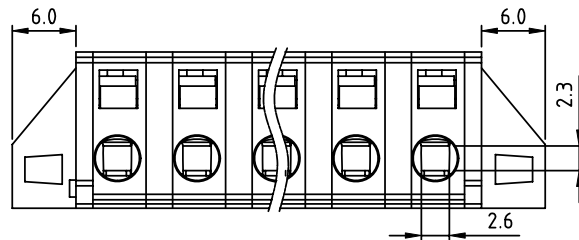
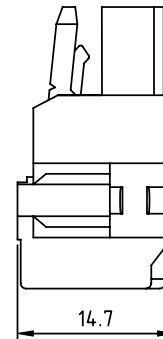
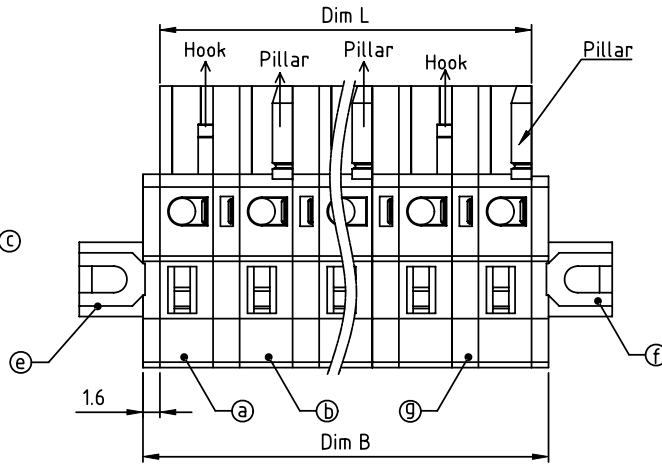
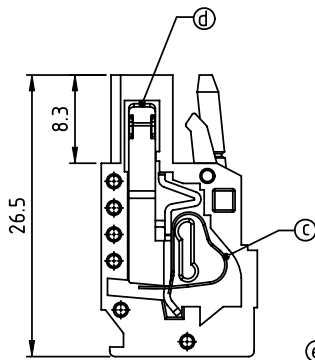
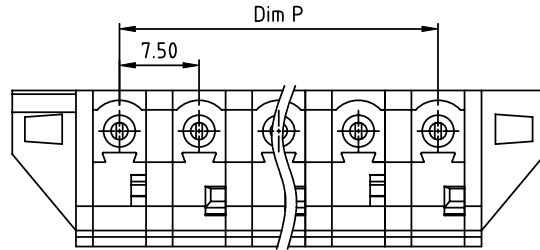
Tel: +86-755-8981 8866 Fax: +86-755-8427 6832

Email & Skype: info@chipsmall.com Web: www.chipsmall.com

Address: A1208, Overseas Decoration Building, #122 Zhenhua RD., Futian, Shenzhen, China



PRODUCT NUMBER	PITCH
Hlx20x200J0G	7.50 mm



Layout of Hook and Pillar:

2P	Hook+Pillar
3P	Hook+Hook+Pillar
4P	Hook+Pillar+Hook+Pillar
5P	Hook+Pillar+Pillar+Hook+Pillar
5P over	Hook+Pillar+...+Pillar+Hook+Pillar

DIMENSION

Dim L=N×7.5-2.5
Dim P=(N-1)×7.5
Dim B=N×7.5+0.7

N=Number of poles

Poles	Tolerance
2P-4P	±0.15
5P-8P	±0.25
9P-12P	±0.30
13P-16P	±0.40

PART NO.: HI xx 20 x 2 00J0 G

End stackable 0	Color	RoHS compliant
No. of poles 2	Black (RAL9005)	(lead<4% In copper Alloy)
02 2 poles	3 Red (RAL3001/D)	
03 3 poles	4 Orange(RAL2011/P)	
...	5 Yellow(RAL1018/A)	
...	6 Green(RAL6018/T)	
16 16 poles	7 Blue (RAL5015/A)	
	8 Grey(RAL7035/D)	
	9 White(RAL1102)	
	C Green(RAL6018/U)	

Material:

- Item@Terminal housing (With hook): Thermoplastic (UL94V-0)
- Item@Terminal housing (With Pillar): Thermoplastic (UL94V-0)
- Item@Spring Clamp: Stainless steel
- Item@Female contact: PhBz.Tin plated
- Item@Left cover with flange: Thermoplastic (UL94V-0)
- Item@Right cover with flange: Thermoplastic (UL94V-0)
- Item@Pad board: Thermoplastic (UL94V-0)

Electrical:

- Voltage rating: 300 V
- Current rating: 15 A (mated with OQ series)
8A (mated with NC and NB series)
- Wire range:
- Solid wire(AWG): 12-28
- Stranded wire(AWG): 12-28
- Wire strip length: 8-9 mm
- Withstanding Voltage: 1.6KV
- Operating temperature: -40°C to +115°C
- Safety Approval:

mat'l. code		surface ASME Y14.5	tolerance ASME Y14.5	projection 	product family TERMINAL BLOCK
ltr	ecn no	dr	date	tolerances unless otherwise specified	title
				angles 	TERMINAL BLOCK
				X±0.5	SPRING CLAMP, PLUGGABLE PLUG, WITH FLANGE
				X.X±0.3	scale
				X*±1"	X.XX±0.1
		dr	EVIN ZHONG	051414	dwg no
		enr	EVIN ZHONG	051414	sheet 1 of 1
		chr	HANKE FENG	051414	size
		appd	SHI JUN	051414	Hlx20x200J0G
					A4
sheet index	revision	A			type
	sheet	1			CUSTOMER Drawing