



Chipsmall Limited consists of a professional team with an average of over 10 year of expertise in the distribution of electronic components. Based in Hongkong, we have already established firm and mutual-benefit business relationships with customers from,Europe,America and south Asia,supplying obsolete and hard-to-find components to meet their specific needs.

With the principle of “Quality Parts,Customers Priority,Honest Operation,and Considerate Service”,our business mainly focus on the distribution of electronic components. Line cards we deal with include Microchip,ALPS,ROHM,Xilinx,Pulse,ON,Everlight and Freescale. Main products comprise IC,Modules,Potentiometer,IC Socket,Relay,Connector.Our parts cover such applications as commercial,industrial, and automotives areas.

We are looking forward to setting up business relationship with you and hope to provide you with the best service and solution. Let us make a better world for our industry!



Contact us

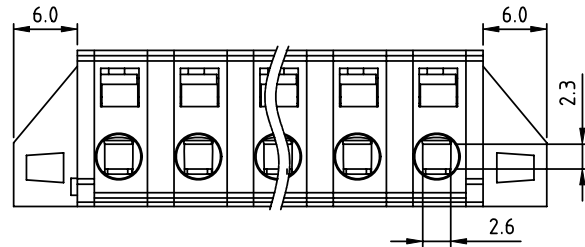
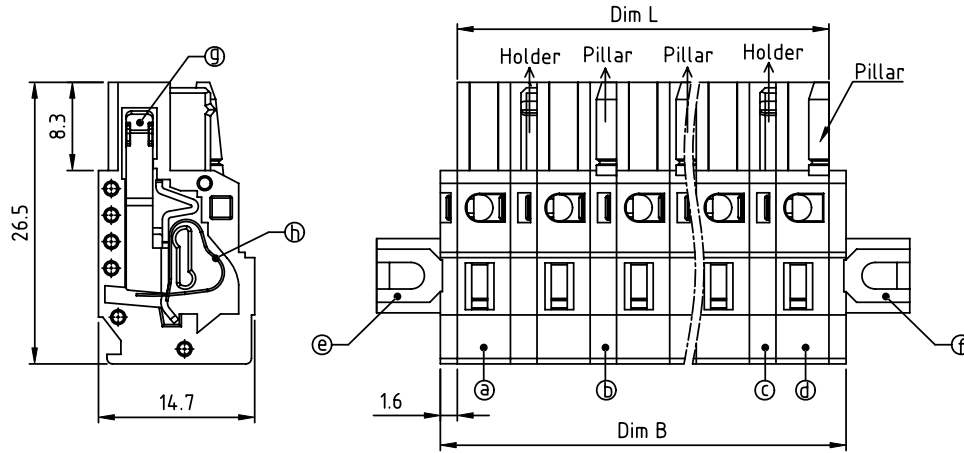
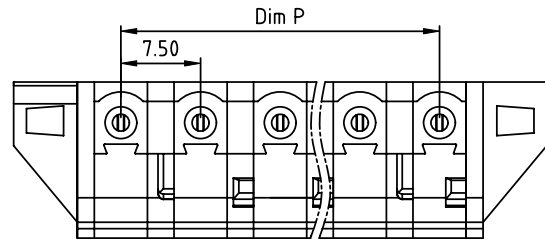
Tel: +86-755-8981 8866 Fax: +86-755-8427 6832

Email & Skype: info@chipsmall.com Web: www.chipsmall.com

Address: A1208, Overseas Decoration Building, #122 Zhenhua RD., Futian, Shenzhen, China



PRODUCT NUMBER	PITCH
Hlxx21x200J0G	7.50 mm



Material:

- Item ① Terminal housing: Thermoplastic (UL94V-0)
- Item ② Pad board (With pillar): Thermoplastic (UL94V-0)
- Item ③ Pad board (With holder): Thermoplastic (UL94V-0)
- Item ④ Terminal housing (With pillar): Thermoplastic (UL94V-0)
- Item ⑤ Left cover with flange: Thermoplastic (UL94V-0)
- Item ⑥ Right cover with flange: Thermoplastic (UL94V-0)
- Item ⑦ Female contact: PhBz. Tin plated
- Item ⑧ Spring Clamp: Stainless steel

Electrical:

- cULus
- Voltage rating: 300 V
 - Current rating: 8 A (mated with NC and NB series)
 - Wire range:
 - Solid wire (AWG): 12-28
 - Stranded wire (AWG): 12-28
 - Wire strip length: 8-9 mm
 - Withstanding Voltage: 1.6KV
 - Operating temperature: -40°C to +115°C

Layout of Holder and Pillar:

2P	Holder+Pillar
3P	Holder+Holder+Pillar
4P	Holder+Pillar+Holder+Pillar
5P	Holder+Pillar+Pillar+Holder+Pillar
5P over	Holder+Pillar+...+Pillar+Holder+Pillar

DIMENSION	Poles	Tolerance
Dim L=N×7.5-2.5	2P-4P	±0.15
Dim P=(N-1)×7.5	5P-8P	±0.25
Dim B=N×7.5+0.7	9P-12P	±0.30
N=Number of poles	13P-16P	±0.40

PART NO.: HI xx 21 x 2 00J0 G

- End stackable 0
- No. of poles 2
- 02 2 poles 3
- 03 3 poles 4
- 5
- 16 16 poles 6
- Color Black (RAL9005)
- Red (RAL3001/D)
- Orange (RAL2011/P)
- Yellow (RAL1018/A)
- Green (RAL6018/T)
- Blue (RAL5015/A)
- Grey (RAL7035/D)
- White (RAL1102)
- Green (RAL6018/U)
- RoHS compliant (lead<4%) In copper Alloy

mat'l. code		surface ASME Y14.5 ✓	tolerance ASME Y14.5	projection	product family
ltr	ecn no	dr	date	MM	TERMINAL BLOCK
tolerances unless otherwise specified				scale	title
angles	0	X.±0.5		FCI	TERMINAL BLOCK SPRING CLAMP, PLUGGABLE PLUG, WITH FLANGE, 100% PROTECTED AGAINST MISMATING
0	X.X±0.3				
X±1°	X.XX±0.1				
dr	EVIN ZHONG	051414		dwg no	sheet 1 of 1 size
enr	EVIN ZHONG	051414		Hlxx21x200J0G	A4
chr	HANKE FENG	051414			
appd	SHI JUN	051414		type	CUSTOMER Drawing
sheet index	revision sheet	A	1		