



Chipsmall Limited consists of a professional team with an average of over 10 year of expertise in the distribution of electronic components. Based in Hongkong, we have already established firm and mutual-benefit business relationships with customers from,Europe,America and south Asia,supplying obsolete and hard-to-find components to meet their specific needs.

With the principle of “Quality Parts,Customers Priority,Honest Operation,and Considerate Service”,our business mainly focus on the distribution of electronic components. Line cards we deal with include Microchip,ALPS,ROHM,Xilinx,Pulse,ON,Everlight and Freescale. Main products comprise IC,Modules,Potentiometer,IC Socket,Relay,Connector.Our parts cover such applications as commercial,industrial, and automotives areas.

We are looking forward to setting up business relationship with you and hope to provide you with the best service and solution. Let us make a better world for our industry!



## Contact us

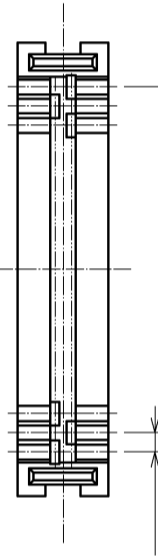
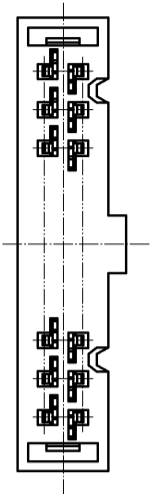
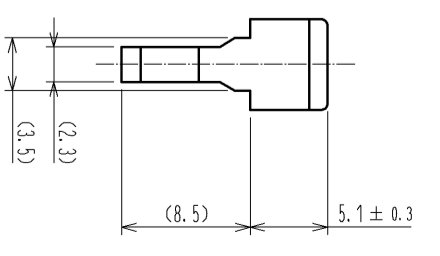
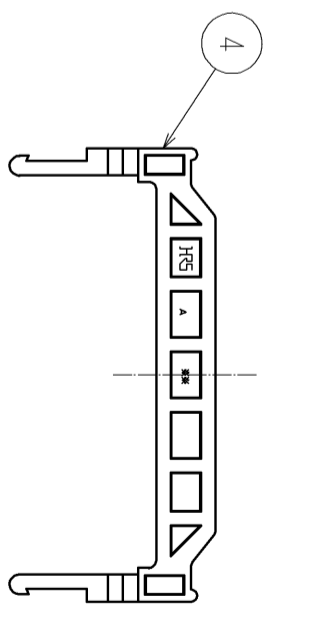
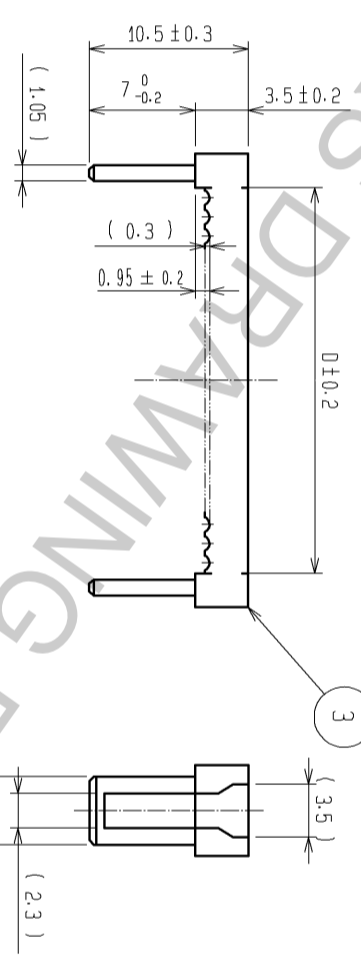
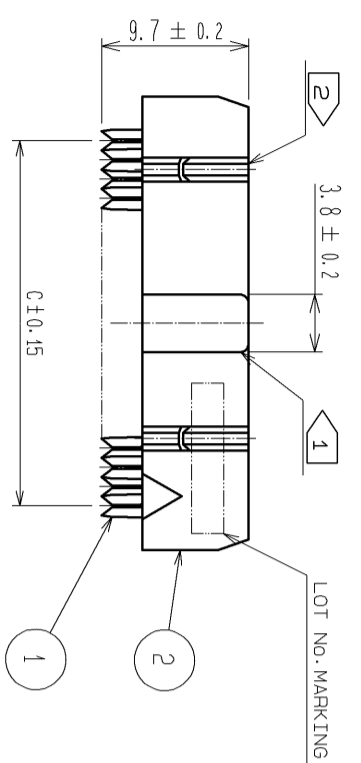
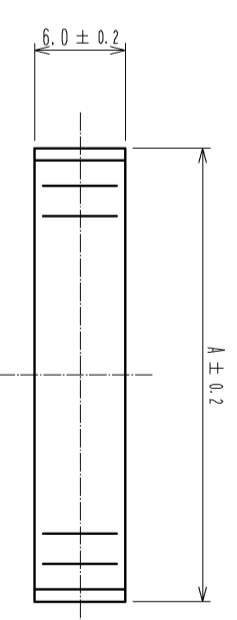
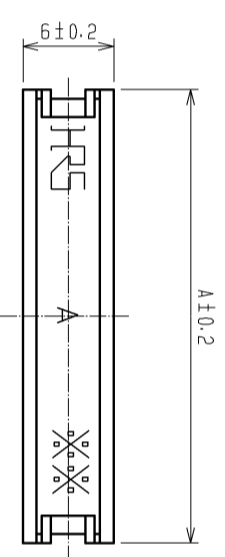
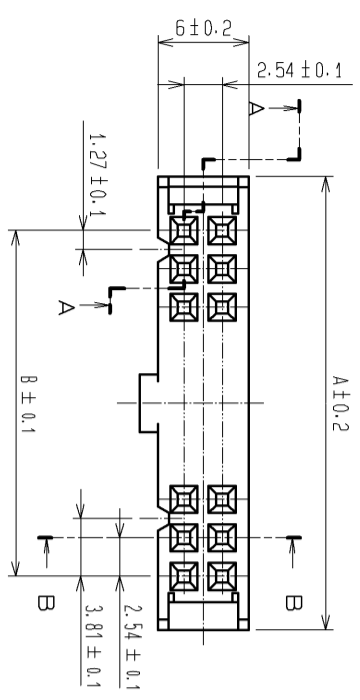
Tel: +86-755-8981 8866 Fax: +86-755-8427 6832

Email & Skype: info@chipsmall.com Web: www.chipsmall.com

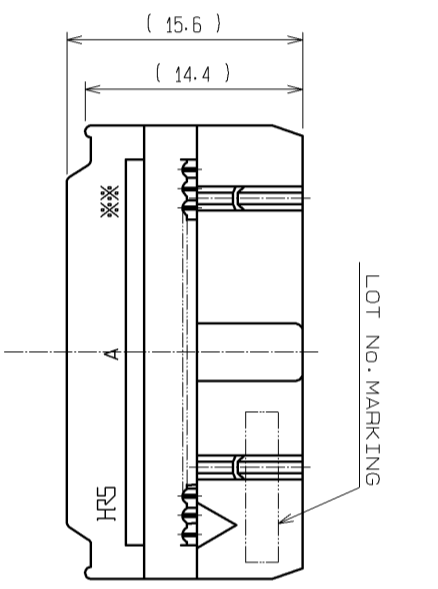
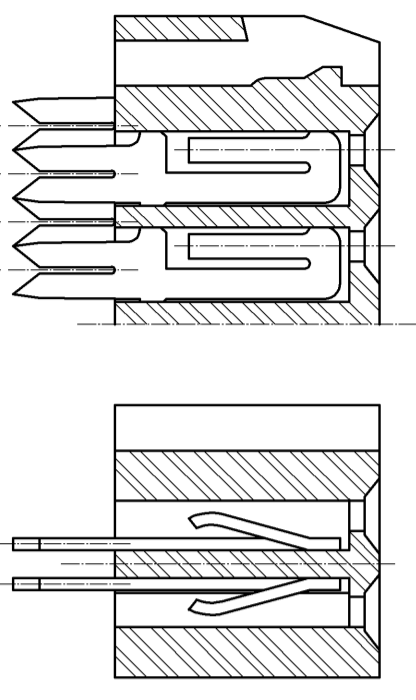
Address: A1208, Overseas Decoration Building, #122 Zhenhua RD., Futian, Shenzhen, China



A BODY  
 B PROTECTOR  
 C CLAMP



ASSEMBLY FIGURE



NOTES  
 1 THE NUMBER OF POLARIZING SLOT AND KEY INSTALLED TO THE LIST AS SHOWN RIGHT.  
 2 THE DIMENSIONS IN PARETHESSES ARE FOR REFERENCE.  
 3 \*\* INDICATES THE NUMBER OF CONTACTS.  
 4 THE DIMENSIONS IN PARETHESSES ARE FOR REFERENCE.  
 5 NUMBER OF CONTACTS.

HRS NO.	CODE NO.	5	A	B	C	D	POLARIZING	POLARIZING
HIF3MAN-100-2.54R	Q1.610-3002-9	10	17.27	10.16	11.43	12.80	ONE ON RIGHT SIDE	ONE ON LEFT SIDE
HIF3MAN-140-2.54R	Q1.610-3003-1	14	22.35	15.24	16.51	17.88	ONE ON RIGHT SIDE	ONE ON LEFT SIDE
HIF3MAN-160-2.54R	Q1.610-3004-4	16	24.89	17.78	19.05	20.42	ONE AT CENTER	ONE ON LEFT SIDE
HIF3MAN-200-2.54R	Q1.610-2097-0	20	29.97	22.86	24.13	25.50	ONE AT CENTER	ONE ON LEFT SIDE
HIF3MAN-260-2.54R	Q1.610-3005-7	26	37.59	30.48	31.75	33.12	ONE AT CENTER	ONE ON LEFT SIDE
HIF3MAN-300-2.54R	Q1.610-2098-2	30	42.67	35.56	36.83	38.20	ONE AT CENTER	ONE ON LEFT SIDE
HIF3MAN-340-2.54R	Q1.610-2099-5	34	47.75	40.64	41.91	43.28	ONE AT CENTER	ONE ON LEFT SIDE
HIF3MAN-400-2.54R	Q1.610-2100-2	40	55.37	48.26	49.53	50.90	ONE AT CENTER	ONE ON LEFT SIDE
HIF3MAN-500-2.54R	Q1.610-2101-5	50	68.07	60.96	62.23	63.60	ONE AT CENTER	ONE ON LEFT SIDE
HIF3MAN-600-2.54R	Q1.610-2102-8	60	80.77	73.66	74.93	76.30	ONE AT CENTER	ONE ON LEFT SIDE
HIF3MAN-640-2.54R	Q1.610-3006-0	64	85.85	78.74	80.01	81.38	ONE AT CENTER	ONE ON LEFT SIDE

2~4	PBT	BLACK	UL94V-0	1	COPPER ALLOY	CONTACT AREA: GOLD 0.15µm min.
NO.	MATERIAL	FINISH	REMARKS	NO.	MATERIAL	UNDER PLATING: NICKEL 2.5µm min.
UNITS	SCALE	COUNT	DESCRIPTION OF REVISIONS	DESIGNED	CHECKED	DATE
mm	FREE					
APPROVED: HS. OKAWA		14.12.10		DRAWING		EDC3-153680-01
CHECKED: HS. OKAWA		14.12.10		PART		HIF3MAW-*D-2.54R
DESIGNED: TY. EDAGAWA		14.12.10		CODE		
DRAWN: TY. EDAGAWA		14.12.10		NO.		