



Chipsmall Limited consists of a professional team with an average of over 10 year of expertise in the distribution of electronic components. Based in Hongkong, we have already established firm and mutual-benefit business relationships with customers from,Europe,America and south Asia,supplying obsolete and hard-to-find components to meet their specific needs.

With the principle of “Quality Parts,Customers Priority,Honest Operation,and Considerate Service”,our business mainly focus on the distribution of electronic components. Line cards we deal with include Microchip,ALPS,ROHM,Xilinx,Pulse,ON,Everlight and Freescale. Main products comprise IC,Modules,Potentiometer,IC Socket,Relay,Connector.Our parts cover such applications as commercial,industrial, and automotives areas.

We are looking forward to setting up business relationship with you and hope to provide you with the best service and solution. Let us make a better world for our industry!



Contact us

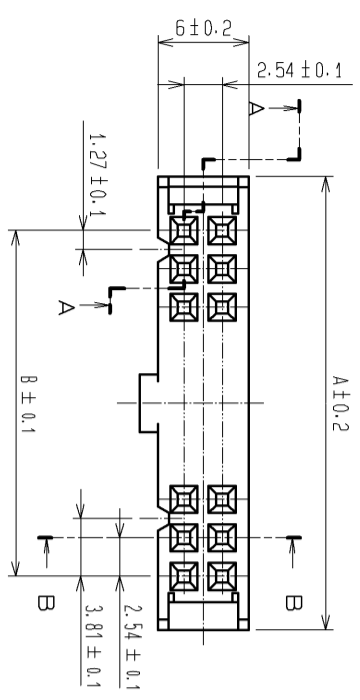
Tel: +86-755-8981 8866 Fax: +86-755-8427 6832

Email & Skype: info@chipsmall.com Web: www.chipsmall.com

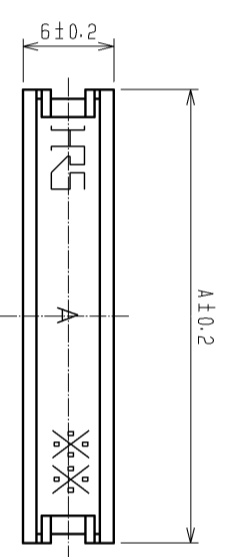
Address: A1208, Overseas Decoration Building, #122 Zhenhua RD., Futian, Shenzhen, China



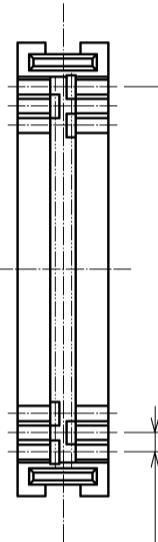
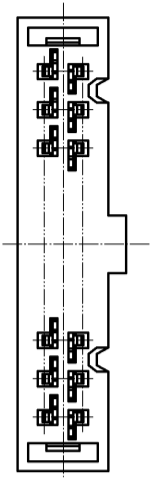
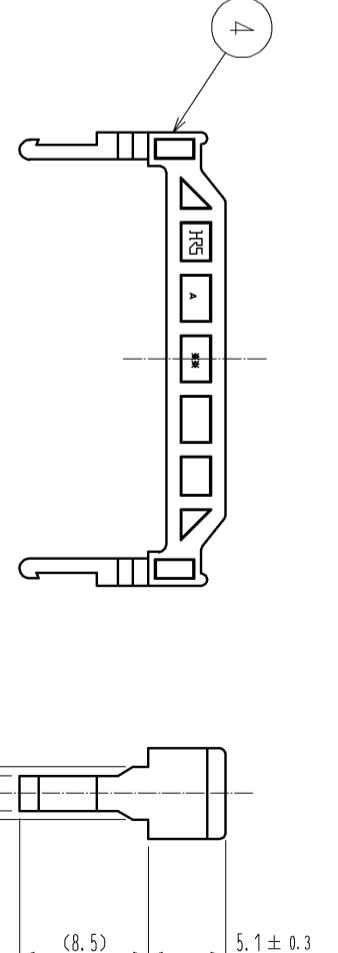
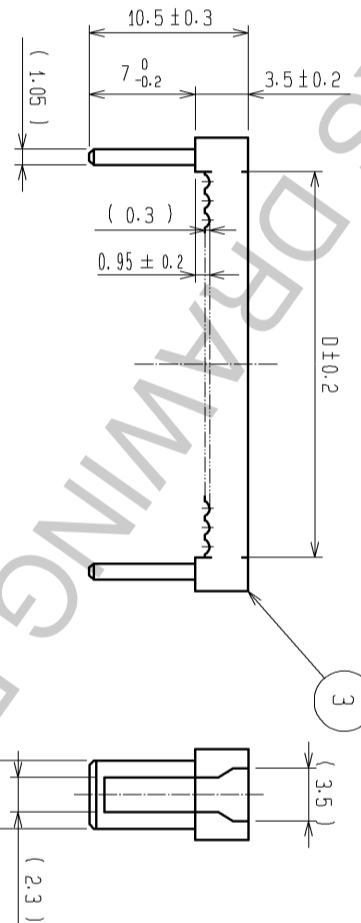
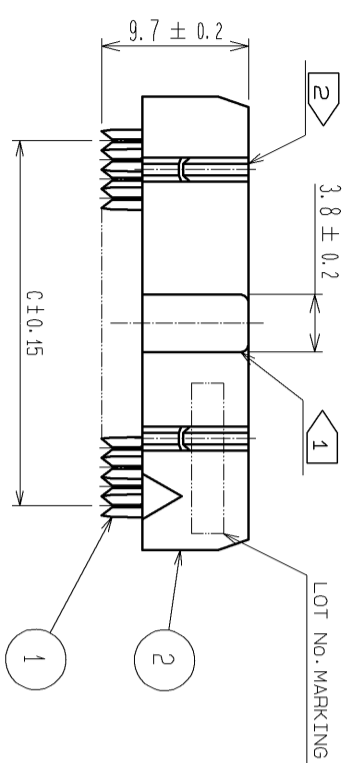
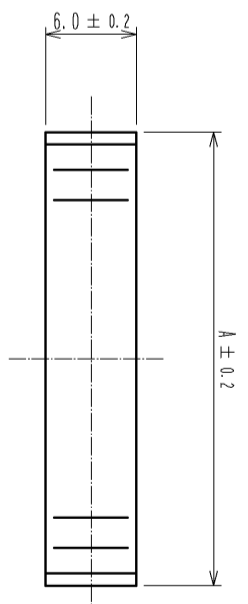
BODY



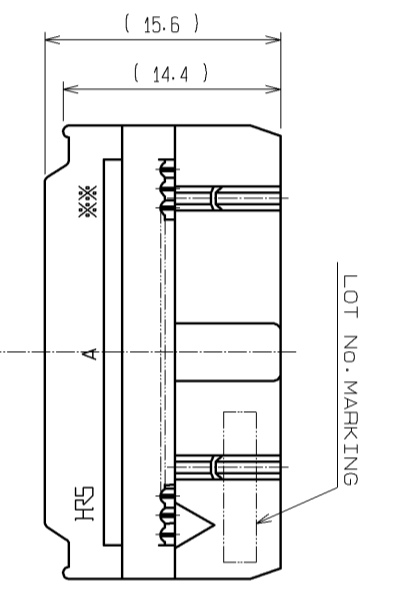
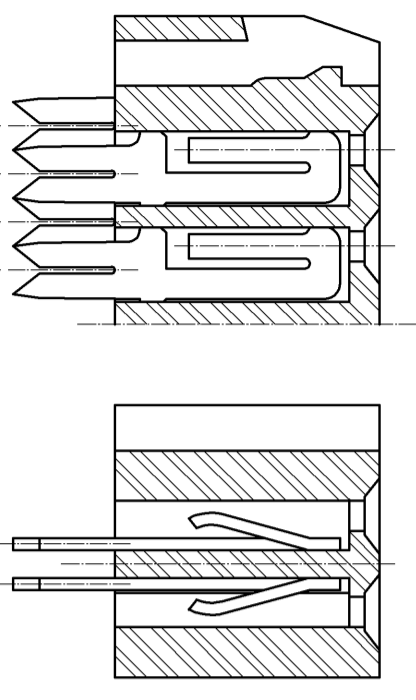
PROTECTOR



CLAMP



ASSEMBLY FIGURE



NOTES

- 1 THE NUMBER OF POLARIZING SLOT AND KEY INSTALLED TO THE LIST AS SHOWN RIGHT.
- 2 THE DIMENSIONS IN PARETHESSES ARE FOR REFERENCE.
- 3 ** INDICATES THE NUMBER OF CONTACTS.
- 4 THE DIMENSIONS IN PARETHESSES ARE FOR REFERENCE.
- 5 NUMBER OF CONTACTS.

HRS NO.	CODE NO.	5	A	B	C	D	POLARIZING	POLARIZING
HIF3MAN-100-2-54R	Q1.610-3002-9	10	17.27	10.16	11.43	12.80	ONE ON RIGHT	ONE ON LEFT SIDE
HIF3MAN-140-2-54R	Q1.610-3003-1	14	22.35	15.24	16.51	17.88	ONE AT CENTER	ONE ON LEFT SIDE
HIF3MAN-160-2-54R	Q1.610-3004-4	16	24.89	17.78	19.05	20.42	ONE AT CENTER	ONE ON LEFT SIDE
HIF3MAN-200-2-54R	Q1.610-2097-0	20	29.97	22.86	24.13	25.50	ONE AT CENTER	ONE ON LEFT SIDE
HIF3MAN-260-2-54R	Q1.610-3005-7	26	37.59	30.48	31.75	33.12	ONE AT CENTER	ONE ON LEFT SIDE
HIF3MAN-300-2-54R	Q1.610-2098-2	30	42.67	35.56	36.83	38.20	ONE AT CENTER	ONE ON LEFT SIDE
HIF3MAN-340-2-54R	Q1.610-2099-5	34	47.75	40.64	41.91	43.28	ONE AT CENTER	ONE ON LEFT SIDE
HIF3MAN-400-2-54R	Q1.610-2100-2	40	55.37	48.26	49.53	50.90	ONE AT CENTER	ONE ON LEFT SIDE
HIF3MAN-500-2-54R	Q1.610-2101-5	50	68.07	60.96	62.23	63.60	ONE AT CENTER	ONE ON LEFT SIDE
HIF3MAN-600-2-54R	Q1.610-2102-8	60	80.77	73.66	74.93	76.30	ONE AT CENTER	ONE ON LEFT SIDE
HIF3MAN-640-2-54R	Q1.610-3006-0	64	85.85	78.74	80.01	81.38	ONE AT CENTER	ONE ON LEFT SIDE

2~4	PBT	BLACK	UL94V-0	1	COPPER ALLOY	CONTACT AREA: GOLD 0.15μm min.
NO.	MATERIAL	FINISH	REMARKS	NO.	MATERIAL	UNDER PLATING: NICKEL 2.5μm min.
UNITS	SCALE	COUNT	DESCRIPTION OF REVISIONS	DESIGNED	CHECKED	DATE
mm	FREE					
APPROVED: HS. OKAWA			14.12.10			
DRAWN: TY. EDAGAWA			14.12.10			
CHECKED: HS. OKAWA			14.12.10			
DESIGNED: TY. EDAGAWA			14.12.10			
HRS ELECTRIC CO., LTD.			EDC3-153680-01			
DRAWN: TY. EDAGAWA			HIF3MAW-*D-2.54R			
CODE NO.			14.12.10			