



Chipsmall Limited consists of a professional team with an average of over 10 year of expertise in the distribution of electronic components. Based in Hongkong, we have already established firm and mutual-benefit business relationships with customers from,Europe,America and south Asia,supplying obsolete and hard-to-find components to meet their specific needs.

With the principle of “Quality Parts,Customers Priority,Honest Operation,and Considerate Service”,our business mainly focus on the distribution of electronic components. Line cards we deal with include Microchip,ALPS,ROHM,Xilinx,Pulse,ON,Everlight and Freescale. Main products comprise IC,Modules,Potentiometer,IC Socket,Relay,Connector.Our parts cover such applications as commercial,industrial, and automotives areas.

We are looking forward to setting up business relationship with you and hope to provide you with the best service and solution. Let us make a better world for our industry!



## Contact us

Tel: +86-755-8981 8866 Fax: +86-755-8427 6832

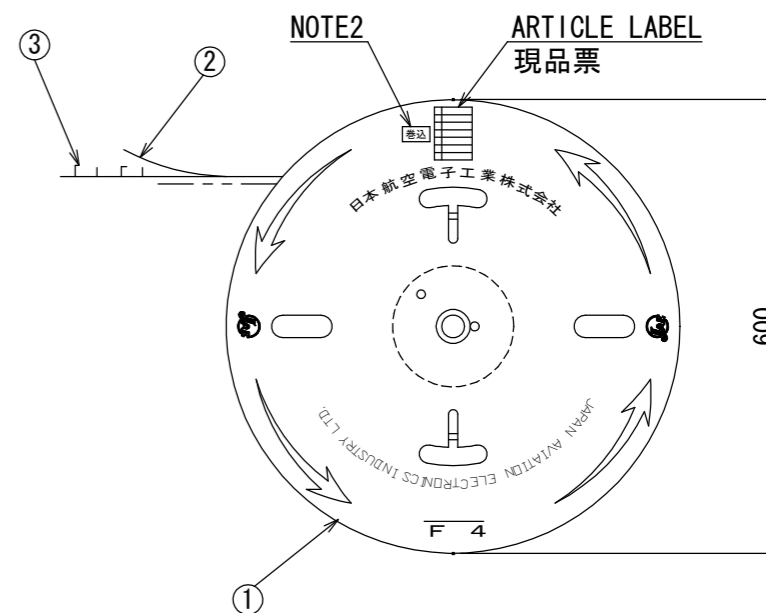
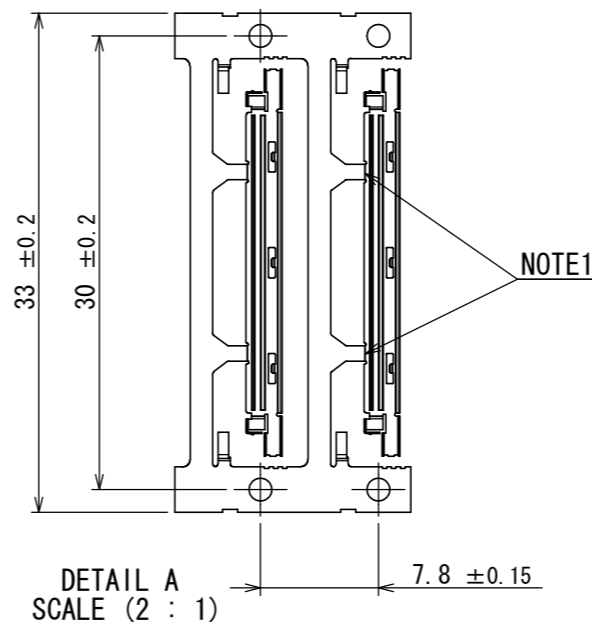
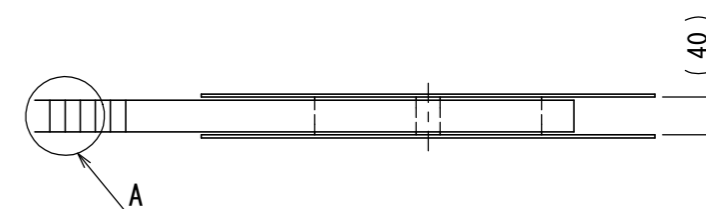
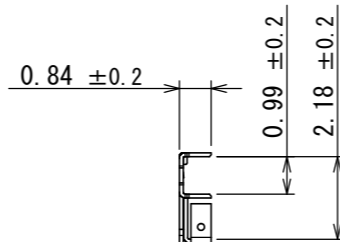
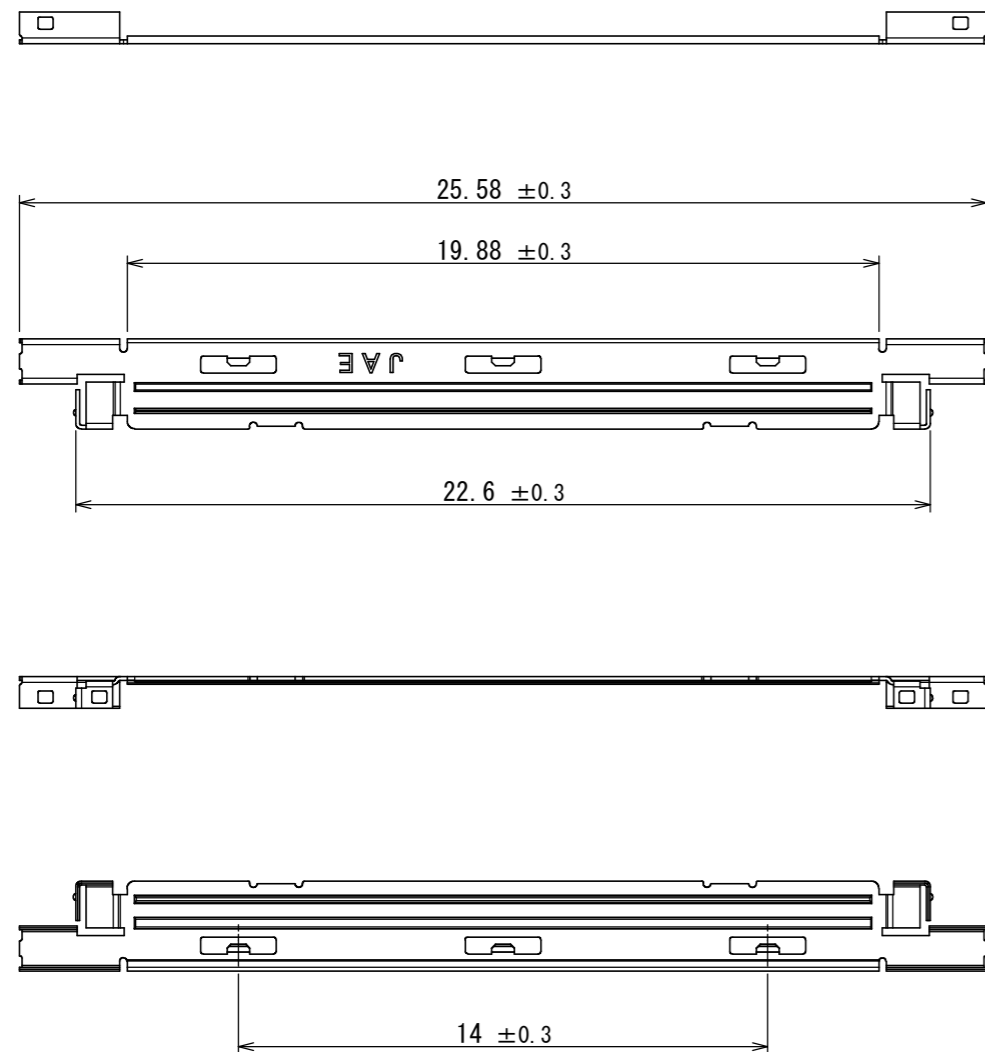
Email & Skype: info@chipsmall.com Web: www.chipsmall.com

Address: A1208, Overseas Decoration Building, #122 Zhenhua RD., Futian, Shenzhen, China



SJ112816  
(ON DRAWING) (台異図)

版数 VER.	年月日 DATE	CN NO.	変更内容 DESCRIPTION	製図 DR.	担当 CHK.	査閲 APPD.	承認 APPD.
------------	-------------	--------	---------------------	-----------	------------	-------------	-------------



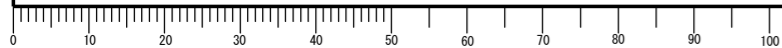
NOTE1. THE NOTCH IS ATTACHED AS SHOWN.  
 2. WHEN YOU SEE THE MARK "巻込" ON LEFT SIDE OF THE ARTICLE LABEL, IT MEANS REAL HAS TO BE DIVIDED INTO SEVERAL PACKAGE. WE SHOWS ITS Q'TY ON THE ARTICLE LABEL.  
 [EX : 10000 (8000/2000)]

注1. 図示の位置にノッチ有り。  
 2. 現品票横に"巻込"表示がある場合、リールが分かれている事を意味します。数量は現品票内に表示します。  
 [例 : 10000 (8000/2000)]

符号 NO.	名称 DESCRIPTION	個数 QTY.	材料 MATERIAL	仕上 FINISH	備考 REMARKS
3	HJ1P050-CSH1 COVER SHELL カバーシェル	10000	COPPER ALLOY 銅合金	GOLD OVER NICKEL Ni上Auめっき	-
2	PAPER TAPE 紙テープ	1	PAPER 紙	-	-
1	MAGAZINE マガジン	1	PAPER 紙	-	-

仕様書 (SPECIFICATION) JACS-10924		第1版 (ORIGINAL DATE) 28/JAN/2013		尺度 (SCALE) —		シリーズ (SERIES) HJ1		日本航空電子工業株式会社	
一般公差 (GENERAL TOLERANCE)		製図 DR.		名称 (TITLE)		HJ1P050-CSH1-10000 COVER SHELL カバーシェル		JAE JAPAN AVIATION ELECTRONICS INDUSTRY, LTD.	
寸法 (DIMENSION)		担当 CHK.		査閲 APPD.		質量 (MASS)		図面番号 (DRAWING NO.)	
. ± 0.8		T. YAMAJI		—		+		SJ112816	
. X ± 0.4		査閲 APPD.		承認 APPD.		+		版数 (VER.)	
. XX ± 0.1		K. IBARAKI		—		+		1	
. XXX ±		単位 (UNIT) : mm		—		+		—	

DCF-C-212H(12.08)



S/W