



Chipsmall Limited consists of a professional team with an average of over 10 year of expertise in the distribution of electronic components. Based in Hongkong, we have already established firm and mutual-benefit business relationships with customers from,Europe,America and south Asia,supplying obsolete and hard-to-find components to meet their specific needs.

With the principle of "Quality Parts,Customers Priority,Honest Operation,and Considerate Service",our business mainly focus on the distribution of electronic components. Line cards we deal with include Microchip,ALPS,ROHM,Xilinx,Pulse,ON,Everlight and Freescale. Main products comprise IC,Modules,Potentiometer,IC Socket,Relay,Connector.Our parts cover such applications as commercial,industrial, and automotives areas.

We are looking forward to setting up business relationship with you and hope to provide you with the best service and solution. Let us make a better world for our industry!



## Contact us

Tel: +86-755-8981 8866 Fax: +86-755-8427 6832

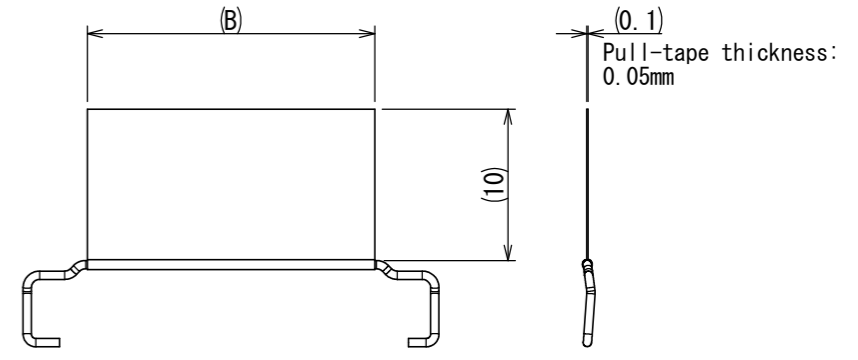
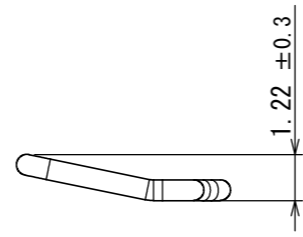
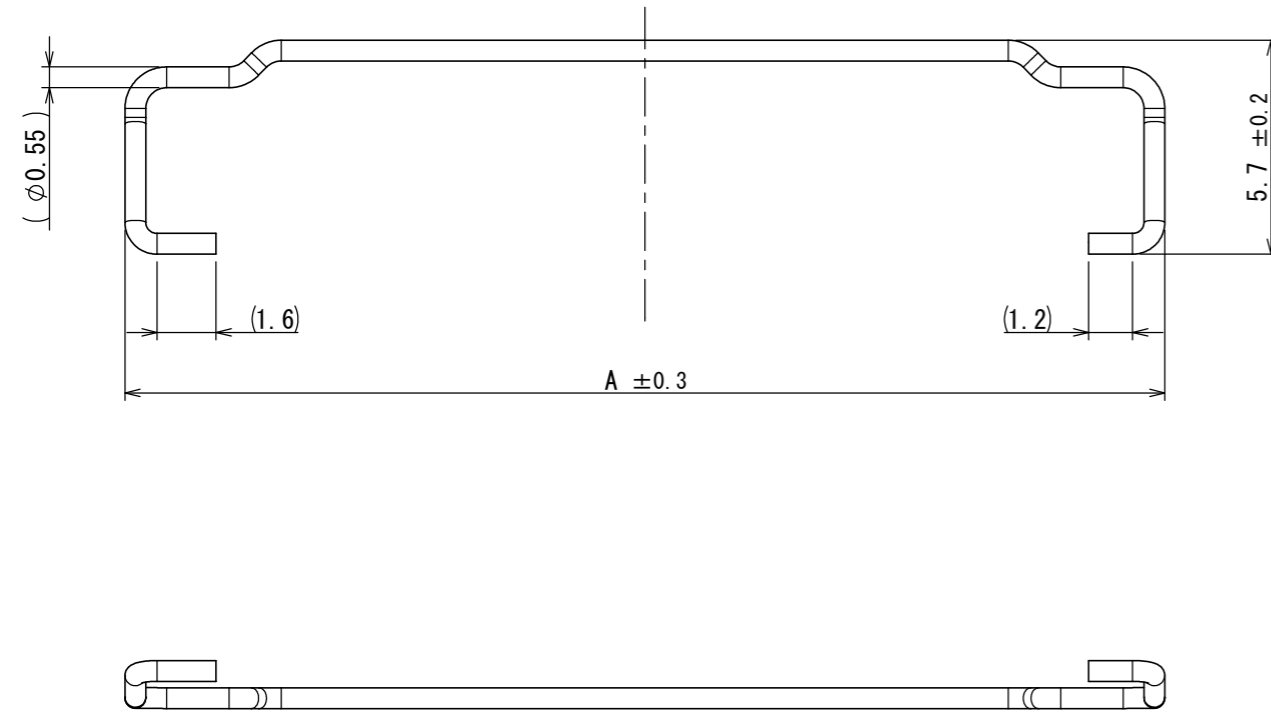
Email & Skype: info@chipsmall.com Web: www.chipsmall.com

Address: A1208, Overseas Decoration Building, #122 Zhenhua RD., Futian, Shenzhen, China



SJ113152  
 (図面番号)(DRAWING NO.)

版数 VER.	年月日 DATE	CN NO.	変更内容 DESCRIPTION	製図 DR.	担当 CHK.	査閲 APPD.	承認 APPD.
2	22/JAN/2014	008361	ADDED ITEM		T. YAMAJI	—	K. IBARAKI



RECOMMENDED SIZE OF PULL-TAPE  
 プルテープの推奨サイズ

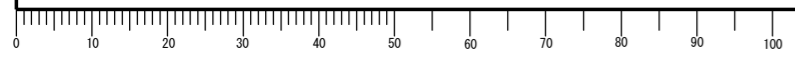
TABLE 1

No. OF CONTACT	A	B
40	23.5	15
50	27.5	19

符号 NO.	名称 DESCRIPTION	個数 QTY.	材料 MATERIAL	仕上 FINISH	備考 REMARKS
1	HJ1P050-PB1 PULL BAR プルバー	1	STAINLESS STEEL ステンレス	—	—

仕様書 (SPECIFICATION) JACS-10924	第1版 (ORIGINAL DATE) 21/JAN/2013	尺度 (SCALE) 5:1	シリーズ (SERIES) HJ1	日本航空電子工業株式会社
一般公差 (GENERAL TOLERANCE)	製図 DR.	名称 (TITLE) HJ1P***-PB1 PULL BAR プルバー		JAE JAPAN AVIATION ELECTRONICS INDUSTRY, LTD.
寸法 (DIMENSION)	担当 CHK. T. YAMAJI	質量 (MASS)		
角度 (ANGLES)	査閲 APPD. —	図面番号 (DRAWING NO.) SJ113152		版数 (VER.) 2
単位 (UNIT) : mm	承認 APPD. K. IBARAKI	JAE CONNCTOR.COM Reference Only		

DCF-C-212H(12.08)



S/W

WISDOM承認 2014/01/24