



Chipsmall Limited consists of a professional team with an average of over 10 year of expertise in the distribution of electronic components. Based in Hongkong, we have already established firm and mutual-benefit business relationships with customers from,Europe,America and south Asia,supplying obsolete and hard-to-find components to meet their specific needs.

With the principle of “Quality Parts,Customers Priority,Honest Operation,and Considerate Service”,our business mainly focus on the distribution of electronic components. Line cards we deal with include Microchip,ALPS,ROHM,Xilinx,Pulse,ON,Everlight and Freescale. Main products comprise IC,Modules,Potentiometer,IC Socket,Relay,Connector.Our parts cover such applications as commercial,industrial, and automotives areas.

We are looking forward to setting up business relationship with you and hope to provide you with the best service and solution. Let us make a better world for our industry!



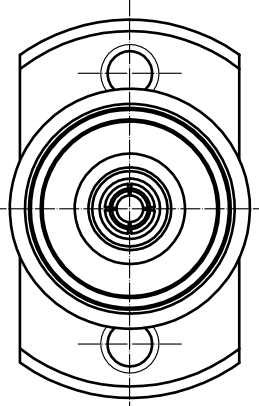
Contact us

Tel: +86-755-8981 8866 Fax: +86-755-8427 6832

Email & Skype: info@chipsmall.com Web: www.chipsmall.com

Address: A1208, Overseas Decoration Building, #122 Zhenhua RD., Futian, Shenzhen, China





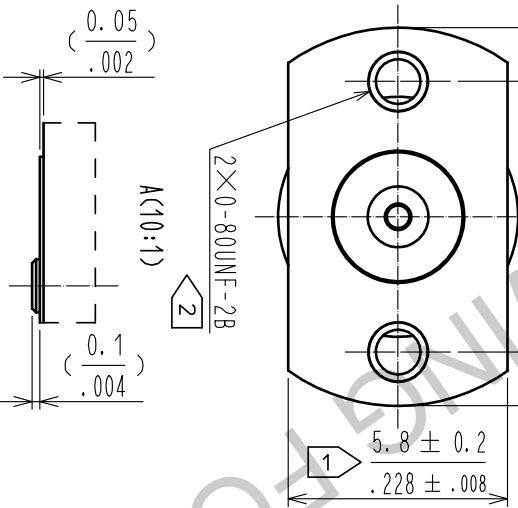
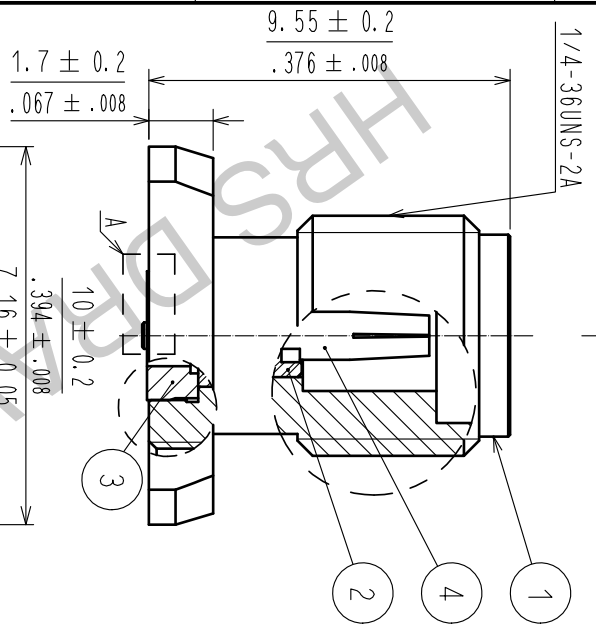
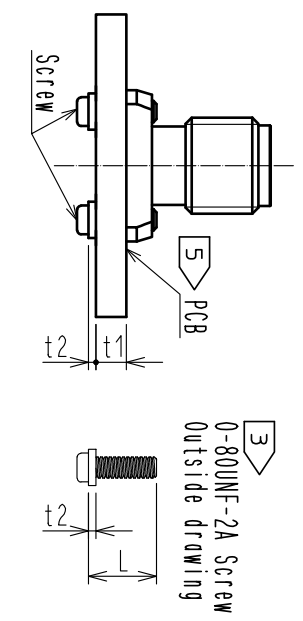
- ① When mating the connector, please hold milling area of 5.8 ± 0.2 with spanner not to place stress on PCB by the torque.
- ② 0-80UNF-2B Screw tightening torque is $0.09N \cdot m$.
- ③ Please use a PCB mounting screw of the length of L(mm) the length of L(mm) is PCB thickness t1(mm) + spring washer thickness t2(mm) + 2(mm).

Please use a screw with a spring washer.

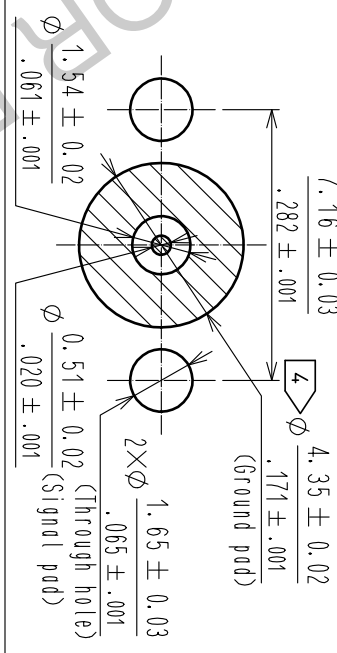
- ④ Resist of inside of $\phi 4.35 \pm 0.02$ (Ground pad) is prohibited.
- ⑤ Recommended PCB thickness t1 is greater than 1.6mm.
- ⑥ This connector should be use for test port only.

ROHS COMPLIANT

Mounting drawing(2:1)



Recommended land pattern drawing



2	PTFE		4	BERYLLIUM COPPER	GOLD PLATING		
1	STAINLESS STEEL	PASSIVATE	3	STAINLESS STEEL	GOLD PLATING		
NO.	MATERIAL	FINISH	REMARKS	NO.	MATERIAL	FINISH	REMARKS
UNITS	[mm/in]	SCALE	COUNT	DESCRIPTION OF REVISIONS	DESIGNED	CHECKED	DATE
		5 : 1	2	DIS-D-00001840	TP.MATSUMOTO	TS.NOBE	17.01.30
APPROVED : KY. SHIMITSU		16.08.30		DRAWING NO.		EDC-366760-00-01	
CHECKED : TO. KATAYAMA		16.08.30		PART NO.		HK-R-SR2-1	
DESIGNED : TP. MATSUMOTO		16.08.29		CODE NO.		CL338-0003-0-00	
DRAWN : TP. MATSUMOTO		16.08.29		CODE NO.		CL338-0003-0-00	



HIROSE ELECTRIC CO., LTD.