



Chipsmall Limited consists of a professional team with an average of over 10 year of expertise in the distribution of electronic components. Based in Hongkong, we have already established firm and mutual-benefit business relationships with customers from,Europe,America and south Asia,supplying obsolete and hard-to-find components to meet their specific needs.

With the principle of “Quality Parts,Customers Priority,Honest Operation,and Considerate Service”,our business mainly focus on the distribution of electronic components. Line cards we deal with include Microchip,ALPS,ROHM,Xilinx,Pulse,ON,Everlight and Freescale. Main products comprise IC,Modules,Potentiometer,IC Socket,Relay,Connector.Our parts cover such applications as commercial,industrial, and automotives areas.

We are looking forward to setting up business relationship with you and hope to provide you with the best service and solution. Let us make a better world for our industry!



Contact us

Tel: +86-755-8981 8866 Fax: +86-755-8427 6832

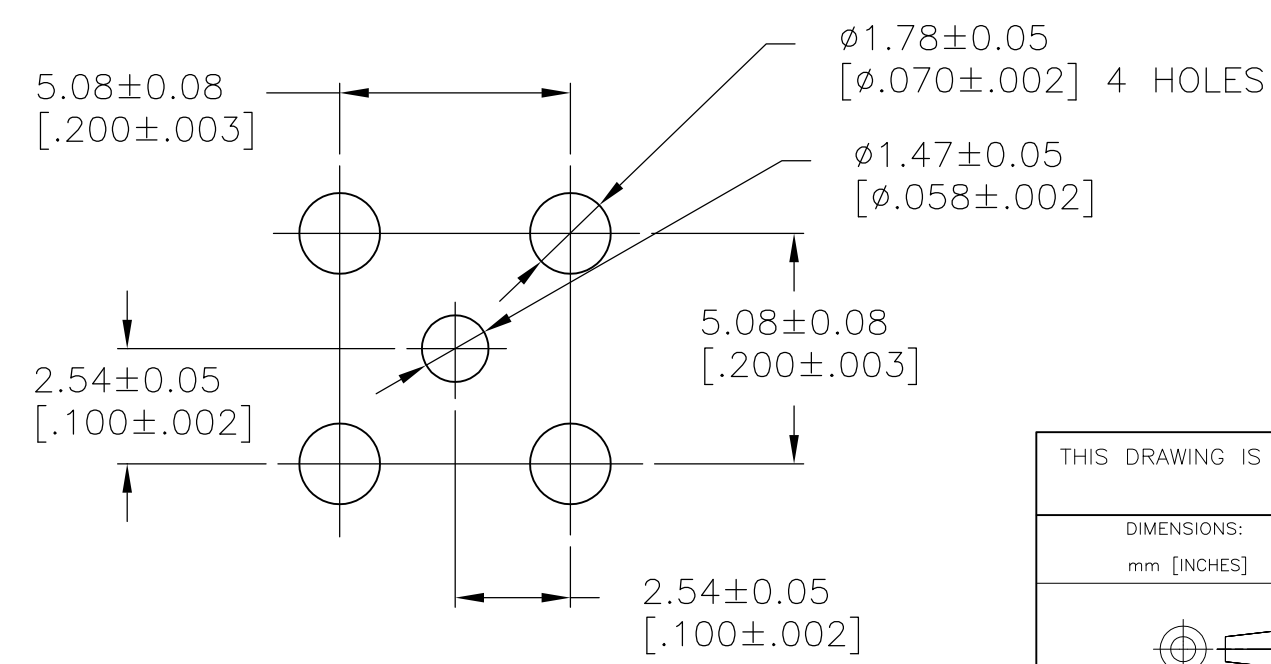
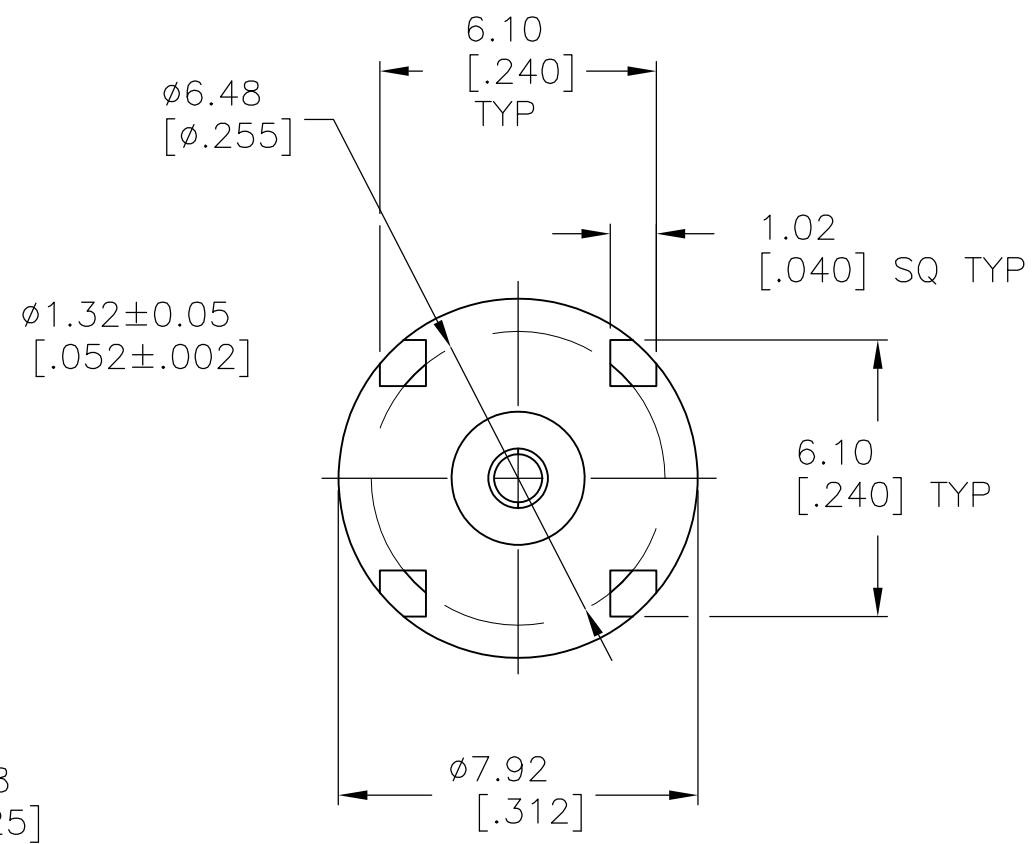
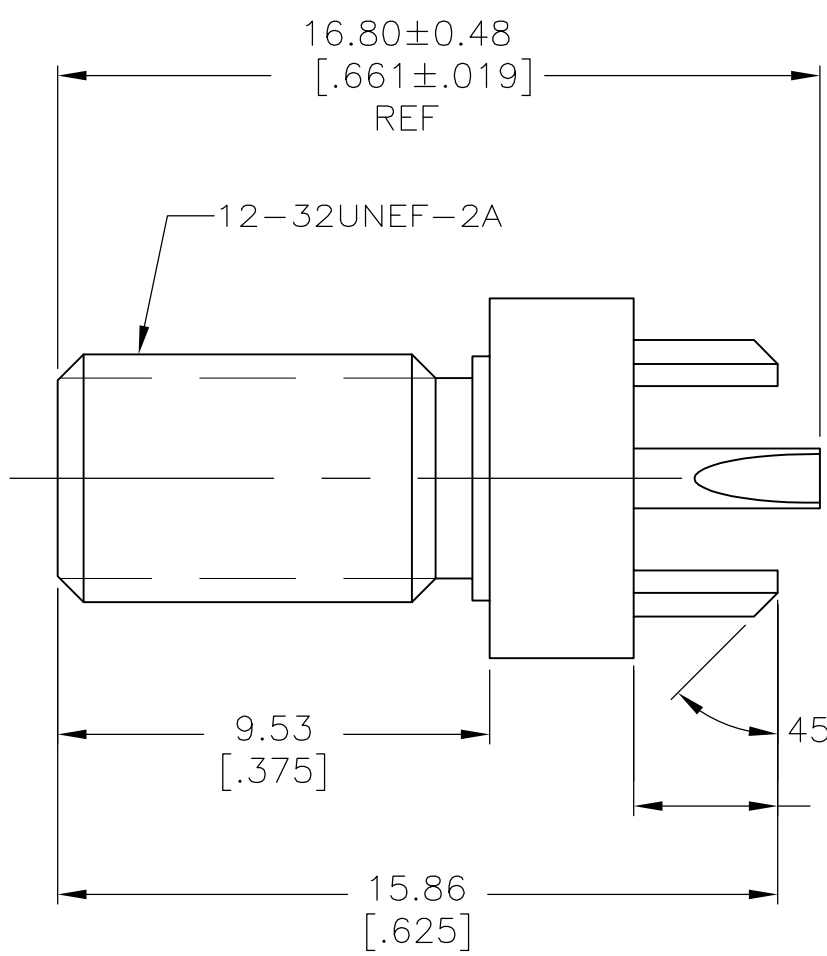
Email & Skype: info@chipsmall.com Web: www.chipsmall.com

Address: A1208, Overseas Decoration Building, #122 Zhenhua RD., Futian, Shenzhen, China



THIS DRAWING IS UNPUBLISHED. RELEASED FOR PUBLICATION
 © COPYRIGHT - BY TYCO ELECTRONICS CORPORATION. ALL RIGHTS RESERVED.

LOC	DIST	REVISIONS				
P	LTR	DESCRIPTION	DATE	DWN	APVD	
AJ	16	A	REVISED PER ECO-08-000706	16JAN08	HMR	FD



SUGGESTED PANEL CUTOUT

- 1 MATERIALS
 SHELL: STAINLESS STEEL PER ASTM-A-582
 CONTACT: BERYLLIUM COPPER PER QQ-C-530
 DIELECTRIC: PTFE PER MIL-P-19468A
- 2 FINISH:
 SHELL: GOLD PLATE PER MIL-G-45204
 CONTACT: GOLD PLATE PER MIL-G-45204

414086-1
 PART NUMBER

THIS DRAWING IS A CONTROLLED DOCUMENT.		DWN J.L.GROFT 9-16-96	Tyco Electronics Corporation Harrisburg, PA 17105-3608	
DIMENSIONS: mm [INCHES]		CHK S.BURKHOLDER 9-16-96	NAME ADAPTER, PCB RECEPTACLE, MINIATURE	
TOLERANCES UNLESS OTHERWISE SPECIFIED:		APVD S.BURKHOLDER 9-16-96	SIZE A3 CAGE CODE 00779 DRAWING NO C-414086	
0 PLC ± -		PRODUCT SPEC -	RESTRICTED TO -	
1 PLC ± -		APPLICATION SPEC -	SCALE 6:1 SHEET 1 OF 1 REV A	
2 PLC ± 0.13 [.005]		WEIGHT -	CUSTOMER DRAWING	
3 PLC ± -				
4 PLC ± -				
ANGLES ± 5°				
MATERIAL -				
FINISH -				