



Chipsmall Limited consists of a professional team with an average of over 10 year of expertise in the distribution of electronic components. Based in Hongkong, we have already established firm and mutual-benefit business relationships with customers from,Europe,America and south Asia,supplying obsolete and hard-to-find components to meet their specific needs.

With the principle of "Quality Parts,Customers Priority,Honest Operation,and Considerate Service",our business mainly focus on the distribution of electronic components. Line cards we deal with include Microchip,ALPS,ROHM,Xilinx,Pulse,ON,Everlight and Freescale. Main products comprise IC,Modules,Potentiometer,IC Socket,Relay,Connector.Our parts cover such applications as commercial,industrial, and automotives areas.

We are looking forward to setting up business relationship with you and hope to provide you with the best service and solution. Let us make a better world for our industry!



## Contact us

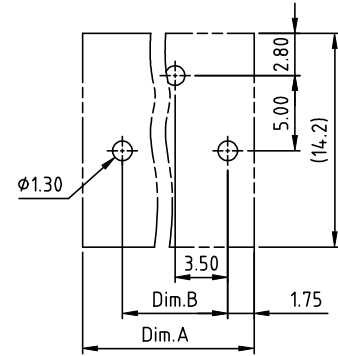
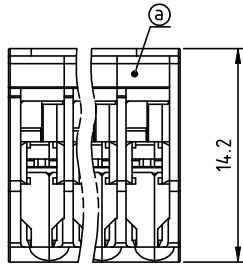
Tel: +86-755-8981 8866 Fax: +86-755-8427 6832

Email & Skype: info@chipsmall.com Web: www.chipsmall.com

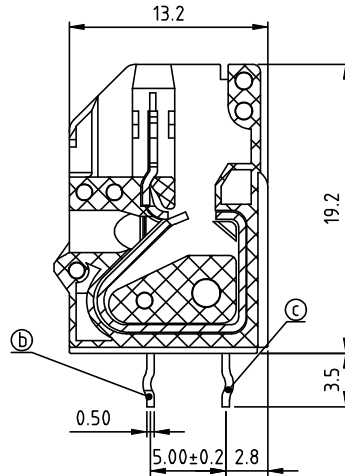
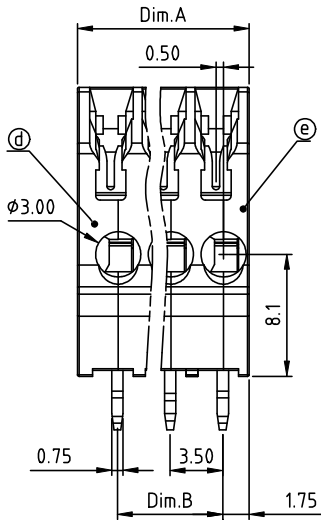
Address: A1208, Overseas Decoration Building, #122 Zhenhua RD., Futian, Shenzhen, China



PRODUCT NUMBER	PITCH
HLxx00x000JOG	3.50mm



RECOMMENDED P.C.B LAYOUT  
TOP VIEW



Material:

- Item@ Terminal body: Thermoplastic ( UL94V-0 )
- ItemⓄ Short pin: PhBz Tin plated.
- ItemⓄ Long pin: PhBz.Tin plated.
- ItemⓄ Left cover:Thermoplastic ( UL94V-0 )
- ItemⓄ Right cover:Thermoplastic ( UL94V-0 )

Electrical cULus

- Voltage rating: 300V
- Current rating: 2A
- Wire range:
- Phsh-Wire Connection: AWG 16-20 "sol"
- Wire strip length: 7.5-8.5mm
- IDC Connection: AWG 22 "sol"
- Withstanding Voltage: 1.6KV
- Operating temperature: -40°C to +115°C
- Soldering temperature: 260°C±5°C/5 Sec
- Safety Approval:

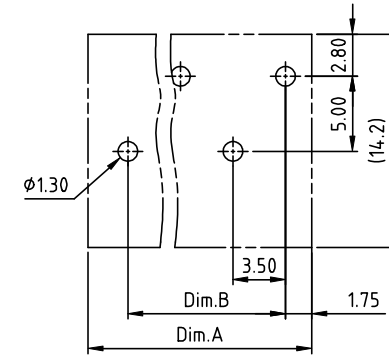
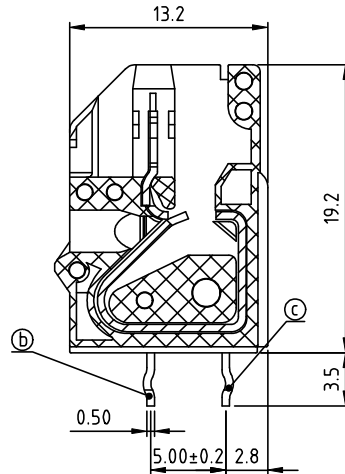
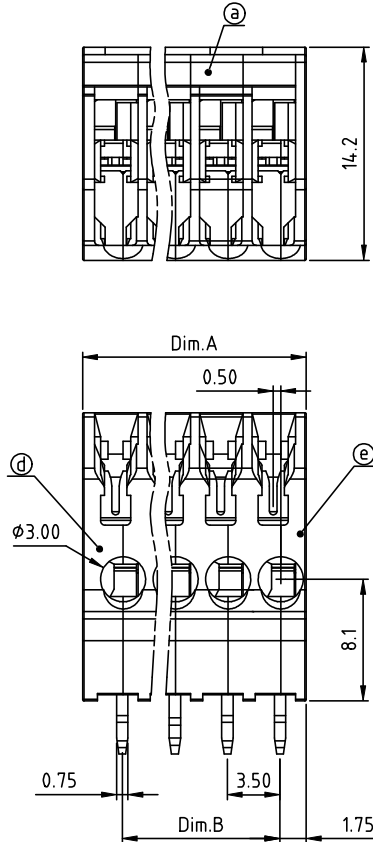
PART NO.: HL xx 00 x 000JO G

Dimension	
Dim.A	N×3.5+0.9
Dim.B	(N-1)×3.5
N=Number of poles	
Poles	Tolerance
3p/5p	±0.15
7p/9p/11p	±0.25

No. of poles	Color	RoHS compliant
0	Black (RAL9005)	(lead<4%)
2	Red (RAL3001/D)	In copper Alloy
03	3 poles	3 Orange(RAL2011/P)
05	5 poles	4 Yellow(RAL1018/A)
...	...	5 Green(RAL6018/T)
11	11 poles	6 Blue (RAL5015/A)
		8 Grey(RAL7004/P)
		9 White(RAL1102)
		C Multiple colors

mat'l. code		surface ASME Y14.5 ✓	tolerance ASME Y14.5	projection 	product family TERMINAL BLOCK
ltr	ecn no	dr	date	tolerances unless otherwise specified	title
				angles X.±0.5	TERMINAL BLOCK
				flatness X.X±0.3	SPRING CLAMP, IDC TYPE, 90D AND 180D WIRE INLET, ODD POLE
				total run out X'±1"	scale
				dr	EVIN ZHONG 060314
				enr	EVIN ZHONG 060314
				chr	HANKE FENG 060314
				appd	SHI JUN 060314
sheet index	revision sheet	A	1		FCI
					HLxx00x000JOG
					type CUSTOMER Drawing
					sheet 1 of 2 size A4

PRODUCT NUMBER	PITCH
HLxx00x000JOG	3.50mm



RECOMMENDED P.C.B LAYOUT  
TOP VIEW

Material:

- Item@ Terminal body: Thermoplastic ( UL94V-0 )
- ItemⒹ Short pin: PhBz Tin plated.
- ItemⒸ Long pin: PhBz.Tin plated.
- ItemⒺ Left cover:Thermoplastic ( UL94V-0 )
- ItemⒻ Right cover:Thermoplastic ( UL94V-0 )

Electrical cULus

- Voltage rating: 300V
- Current rating: 2A
- Wire range:
- Phsh-Wire Connection: AWG 16-20 "sol"
- Wire strip length: 7.5-8.5mm
- IDC Connection: AWG 22 "sol"
- Withstanding Voltage: 1.6KV
- Operating temperature: -40°C to +115°C
- Soldering temperature: 260°C±5°C/5 Sec
- Safety Approval:

PART NO.: HL xx 00 x 000J0 G

Dimension	
Dim.A	Nx3.5+0.9
Dim.B	(N-1)×3.5
N=Number of poles	
Poles	Tolerance
2p/4p/6p	±0.15
8p/10p/12p	±0.25

No. of poles	Color	RoHS compliant (lead<4%) In copper Alloy
0	Black (RAL9005)	
2	Red (RAL3001/D)	
3	Orange(RAL2011/P)	
4	Yellow(RAL1018/A)	
5	Green(RAL6018/T)	
6	Blue (RAL5015/A)	
8	Grey(RAL7004/P)	
9	White(RAL1102)	
C	Multiple colors	

mat'l. code		surface ASME Y14.5	tolerance ASME Y14.5	projection	product family	
ltr ecn no dr date		tolerances unless otherwise specified			TERMINAL BLOCK	
		angles	X.±0.5	MM	title	
		flat	X.X±0.3		TERMINAL BLOCK	
		X'±1"	X.XX±0.1	scale	SPRING CLAMP, IDC TYPE, 90D AND 180D WIRE INLET, EVEN POLE	
		dr	EVIN ZHONG 060314		scale	
		enr	EVIN ZHONG 060314		dwg no	sheet 2 of 2 size
		chr	HANKE FENG 060314		HLxx00x000JOG	A4
		appd	SHI JUN 060314		type	CUSTOMER Drawing
sheet index	revision sheet	A 2				