



Chipsmall Limited consists of a professional team with an average of over 10 year of expertise in the distribution of electronic components. Based in Hongkong, we have already established firm and mutual-benefit business relationships with customers from,Europe,America and south Asia,supplying obsolete and hard-to-find components to meet their specific needs.

With the principle of “Quality Parts,Customers Priority,Honest Operation,and Considerate Service”,our business mainly focus on the distribution of electronic components. Line cards we deal with include Microchip,ALPS,ROHM,Xilinx,Pulse,ON,Everlight and Freescale. Main products comprise IC,Modules,Potentiometer,IC Socket,Relay,Connector.Our parts cover such applications as commercial,industrial, and automotives areas.

We are looking forward to setting up business relationship with you and hope to provide you with the best service and solution. Let us make a better world for our industry!



Contact us

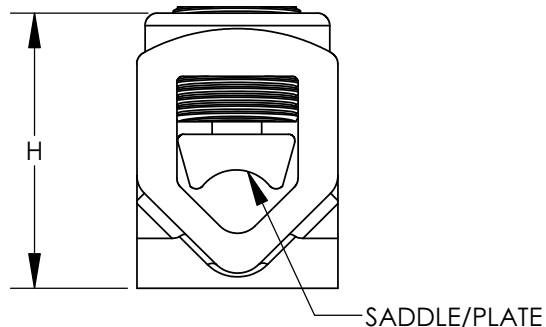
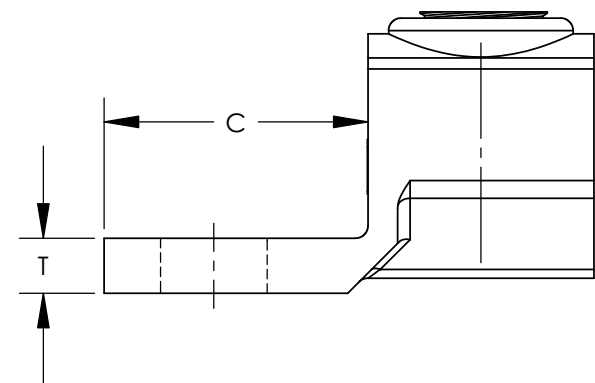
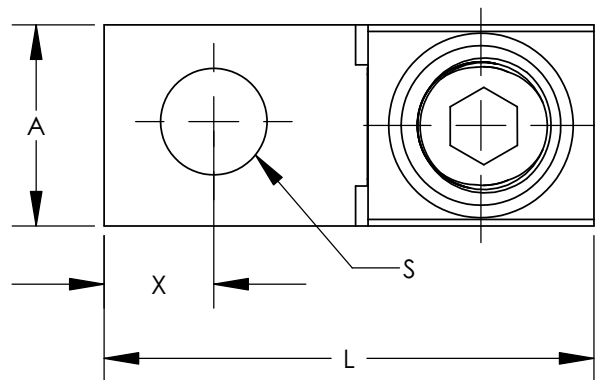
Tel: +86-755-8981 8866 Fax: +86-755-8427 6832

Email & Skype: info@chipsmall.com Web: www.chipsmall.com

Address: A1208, Overseas Decoration Building, #122 Zhenhua RD., Futian, Shenzhen, China



THIS COPY IS PROVIDED ON A RESTRICTED BASIS AND IS NOT TO BE USED IN ANY WAY DETRIMENTAL TO THE INTERESTS OF PANDUIT CORP.



NOTES:

1. UL LISTED
2. MATERIAL: CAST COPPER
3. FOR COPPER WIRE ONLY
4. SADDLE/PLATE PROVIDES UNIFORM CLAMPING FORCE WITHOUT DISTORTING CABLE SHAPE.



CATALOG NUMBER	CONDUCTOR RANGE	NAVY CABLE SIZE	APPROXIMATE DIMENSIONS							WRENCH SIZE	TORQUE VALUE IN-LBS
			A	C	S	H	L	X	T		
HL8-1-X	4 SOLID - 1 STR.	50-75	0.75	0.69	0.28	0.9	1.56	0.34	0.22	7/16	100
HL13-1-5	1 STR - 2/0 STR	100-125	0.81	0.88	0.41	1.14	1.88	0.44	0.22	9/16	250
HL21-1-5	2/0 STR - 4/0 STR	150-200	1.00	1.00	0.44	1.31	2.19	0.50	0.25	9/16	250
HL30-1-2	4/0 STR - 300kcmil	250-300	1.06	1.25	0.56	1.47	2.50	0.63	0.31	5/8	350
HL50-1-2	300kcmil - 500kcmil	400-500	1.38	1.50	0.56	1.65	3.00	0.75	0.34	3/4	480

REV	DATE	BY	CHK	DESCRIPTION	ECN
06	7/08	JHNU	JHNU	REMOVED HL1-25-X & HL4-1-X; MOVED TO DWG C41758 CONVERTED DRAWING TO SOLIDWORKS	

PANDUIT CORP. TINLEY PARK, ILLINOIS

ONE BOLT HOLE PREMIUM CONNECTOR TYPE HL
(HL8-1-X, HL13-1-5, HL21-1-5, HL30-1-2, HL50-1-2)
CUSTOMER DRAWING

SCALE N/A DRAWING NO / CAD FILE C41181_06