

Chipsmall Limited consists of a professional team with an average of over 10 year of expertise in the distribution of electronic components. Based in Hongkong, we have already established firm and mutual-benefit business relationships with customers from,Europe,America and south Asia,supplying obsolete and hard-to-find components to meet their specific needs.

With the principle of “Quality Parts,Customers Priority,Honest Operation,and Considerate Service”,our business mainly focus on the distribution of electronic components. Line cards we deal with include Microchip,ALPS,ROHM,Xilinx,Pulse,ON,Everlight and Freescale. Main products comprise IC,Modules,Potentiometer,IC Socket,Relay,Connector.Our parts cover such applications as commercial,industrial, and automotives areas.

We are looking forward to setting up business relationship with you and hope to provide you with the best service and solution. Let us make a better world for our industry!



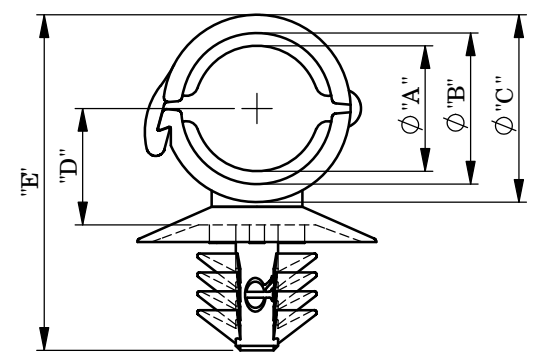
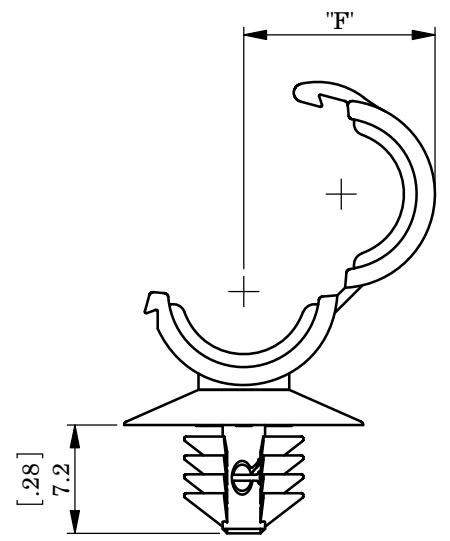
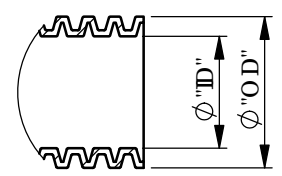
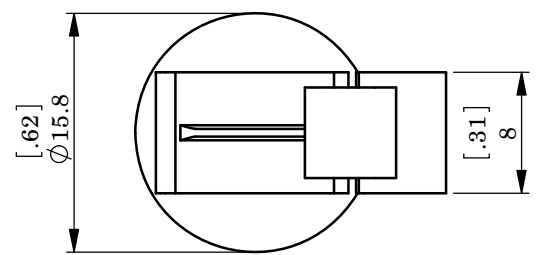
Contact us

Tel: +86-755-8981 8866 Fax: +86-755-8427 6832

Email & Skype: info@chipsmall.com Web: www.chipsmall.com

Address: A1208, Overseas Decoration Building, #122 Zhenhua RD., Futian, Shenzhen, China

REV.	MODIFICATION.	DATE	DRN
01	Production Release	18/09/08	MT
02	CO2010437	10/10/08	MT
03	CO2010507	10/12/08	MT
04	CO2011057	16/02/11	SF
05	CO2011135	14/04/11	SF
06	CO2011170	20/07/11	SF



NOTE:

- HLC C-1-01WH IS ONLY AVAILABLE IN NYLON 6/6 UL94 V-2(RMS-01) MATERIAL BY SPECIAL ORDER.

ALTERNATE UNITS FOR REFERENCE ONLY

INFORMATION CONTAINED IN THIS DOCUMENT IS CONFIDENTIAL TO RICHCO INTERNATIONAL Co. Ltd. AND MAY NOT BE DISCLOSED OR REPRODUCED IN WHOLE OR PART WITHOUT THEIR WRITTEN CONSENT.

RICHCO, INC. WWW.RICHCO-INC.COM	ALL DIMENSIONS IN mm GENERAL TOLERANCES ±0.25 UNLESS OTHERWISE STATED 1 DECIMAL PLACE ± 2 DECIMAL PLACES ± ANGULAR ±1°	THIRD ANGLE

MATERIAL: NYLON 6/6 UL94 V-2 (RMS-01), COLOUR: WHITE	MATERIAL: NYLON 6/6 RMS-47, COLOUR: BLACK	RECOMMENDED CORRUGATED TUBE SIZE		PANEL HOLE DIA	PANEL THICKNESS	"A"	"B"	"C"	"D"	"E"	"F"
		ID Ø	OD Ø			REF	REF	REF	REF	REF	REF
HLC C-1-01WH	HLC C-1BK	5 [.20]	7.1 [.28]	6.5 - 7.0 [.26 - .28]	0.8 - 3 [.03 - .12]	5.8 [.23]	7.2 [.28]	9.6 [.38]	6.3 [.25]	19.7 [.78]	9.8 [.39]
-	HLC C-2BK	6.9 [.27]	9.9 [.39]			8.3 [.33]	10 [.39]	12.4 [.49]	7.7 [.30]	22.2 [.87]	12.6 [.50]

MATERIAL: SEE TABLE & NOTE 1.				COLOUR: SEE TABLE	
DESCRIPTION: HINGED LOCKING CABLE CLAMP				PART No: SEE TABLE	
DRG No: 08-047		NPR No: DE08-0059		SHEET SIZE A4	
DRN MT	DATE 27/11/08	CHKD TC	DATE 12/12/08	SCALE NTS	SHEET No. 1 OF 1