



Chipsmall Limited consists of a professional team with an average of over 10 year of expertise in the distribution of electronic components. Based in Hongkong, we have already established firm and mutual-benefit business relationships with customers from,Europe,America and south Asia,supplying obsolete and hard-to-find components to meet their specific needs.

With the principle of “Quality Parts,Customers Priority,Honest Operation,and Considerate Service”,our business mainly focus on the distribution of electronic components. Line cards we deal with include Microchip,ALPS,ROHM,Xilinx,Pulse,ON,Everlight and Freescale. Main products comprise IC,Modules,Potentiometer,IC Socket,Relay,Connector.Our parts cover such applications as commercial,industrial, and automotives areas.

We are looking forward to setting up business relationship with you and hope to provide you with the best service and solution. Let us make a better world for our industry!



## Contact us

Tel: +86-755-8981 8866 Fax: +86-755-8427 6832

Email & Skype: info@chipsmall.com Web: www.chipsmall.com

Address: A1208, Overseas Decoration Building, #122 Zhenhua RD., Futian, Shenzhen, China





# FSHPLC

## Flow switch for connection to PLC



- **Signal level output for PLC**
  - **20 l/min turn on flow rate**
  - **Automatic shut down on flow stop**
  - **Volt free contact for output to PLC**
- **1" BSP pipe connections**

### Technical Specification

Screw mount Material	Brass		
Enclosure material	Polyamide		
Enclosure rating	IP54		
Start up flow rate	Q. min	l/min	20
Max Pressure	P max	bar	10
Max Temperature	T max	°C	100
Pipe connections			BSP
			1"

### Electrical Specification

Output	SPNO volt free contact	
Max voltage	Vac	<5
Switching Current Max	mA	<1

### Standard Parts

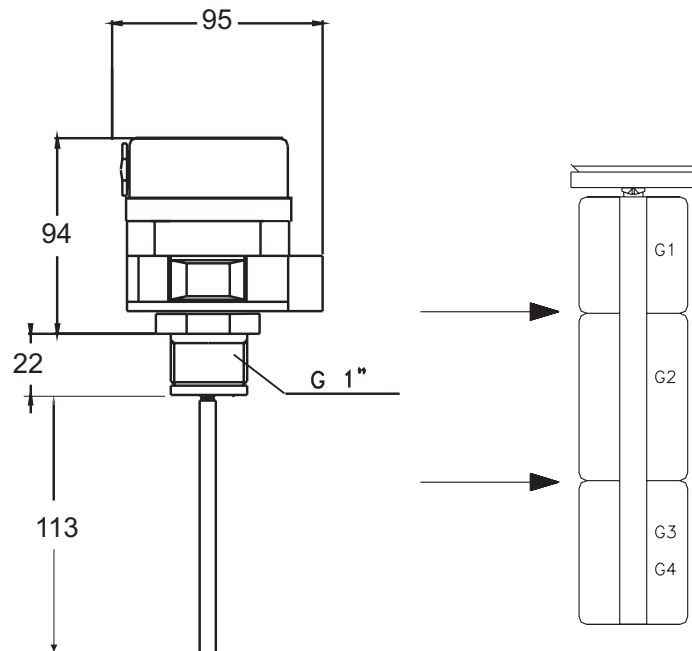
FSH10PLC	On flow rate	20 l/min
----------	--------------	----------

The FSHPLC can be used to control some other equipment or process via a PLC.

It could be for controlling a circulating or centrifugal electric pump that is providing increased pressure or flow within water systems with storage tanks.

The FSHPLC switches the output, once the flow rate through the pipe exceeds 20 l/min.

A flow of less than 20 l/min, whether due to a lack of supply (e.g. tank empty) or to a decrease in demand (e.g. tap closing), will turn the output off again.



Cynergy3 Components Ltd.  
7 Cobham Road  
Ferndown Industrial Estate  
Wimborne, Dorset BH21 7PE  
Telephone +44 (0) 1202 897969

Email: sales@cynergy3.com

ISO9001 CERTIFIED

www.cynergy3.com



# FSHPLC

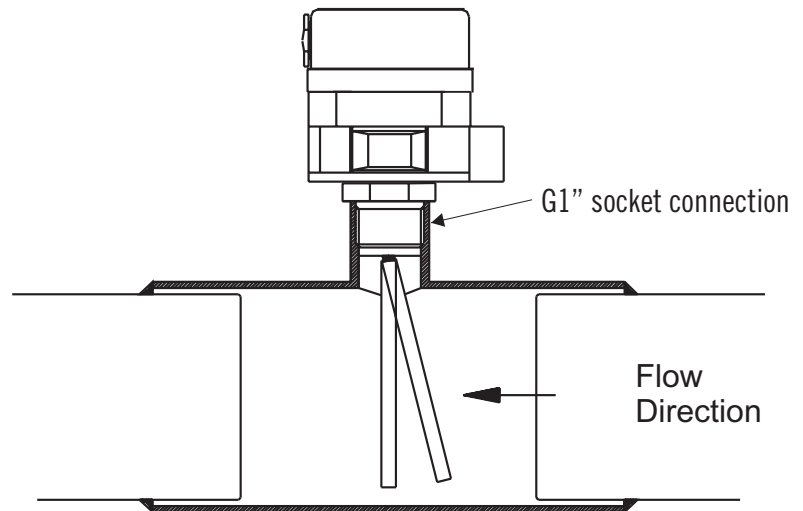
## Flow switch for connection to PLC

### Installation information

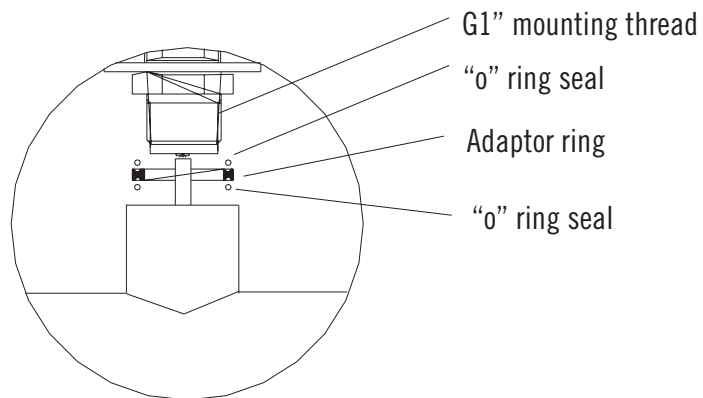
The flow switch is designed to be used in a horizontal pipe with the switch mounted through a side entry. Pipe connection is G1" (1" BSP). The device relies on the flow of liquid working in opposition to the spring loaded paddle.

The liquid flow moves the paddle within the pipe, when the flow increases beyond the minimum specified level. A magnet mounted on the head of the paddle closes a magnetic switch in the control circuit. The output switch will open, if the flow drops below the specified level and the paddle has returned to the rest position.

The output is a SPNO switch with contacts rated to 1mA/5Vac.



G1" - G4" pipe size



Cynergy3 Components Ltd.  
7 Cobham Road  
Ferndown Industrial Estate  
Wimborne, Dorset BH21 7PE  
Telephone +44 (0) 1202 897969

Email: [sales@cynergy3.com](mailto:sales@cynergy3.com)

ISO9001 CERTIFIED

[www.cynergy3.com](http://www.cynergy3.com)