



Chipsmall Limited consists of a professional team with an average of over 10 year of expertise in the distribution of electronic components. Based in Hongkong, we have already established firm and mutual-benefit business relationships with customers from,Europe,America and south Asia,supplying obsolete and hard-to-find components to meet their specific needs.

With the principle of "Quality Parts,Customers Priority,Honest Operation,and Considerate Service",our business mainly focus on the distribution of electronic components. Line cards we deal with include Microchip,ALPS,ROHM,Xilinx,Pulse,ON,Everlight and Freescale. Main products comprise IC,Modules,Potentiometer,IC Socket,Relay,Connector.Our parts cover such applications as commercial,industrial, and automotives areas.

We are looking forward to setting up business relationship with you and hope to provide you with the best service and solution. Let us make a better world for our industry!



Contact us

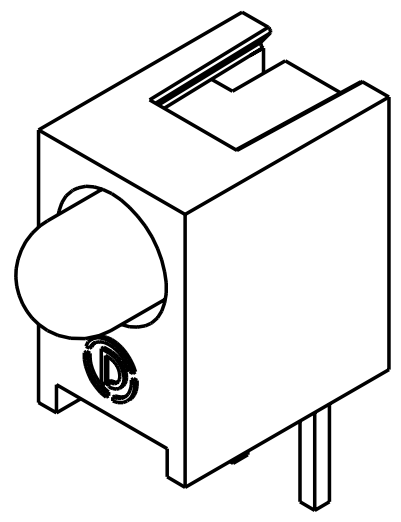
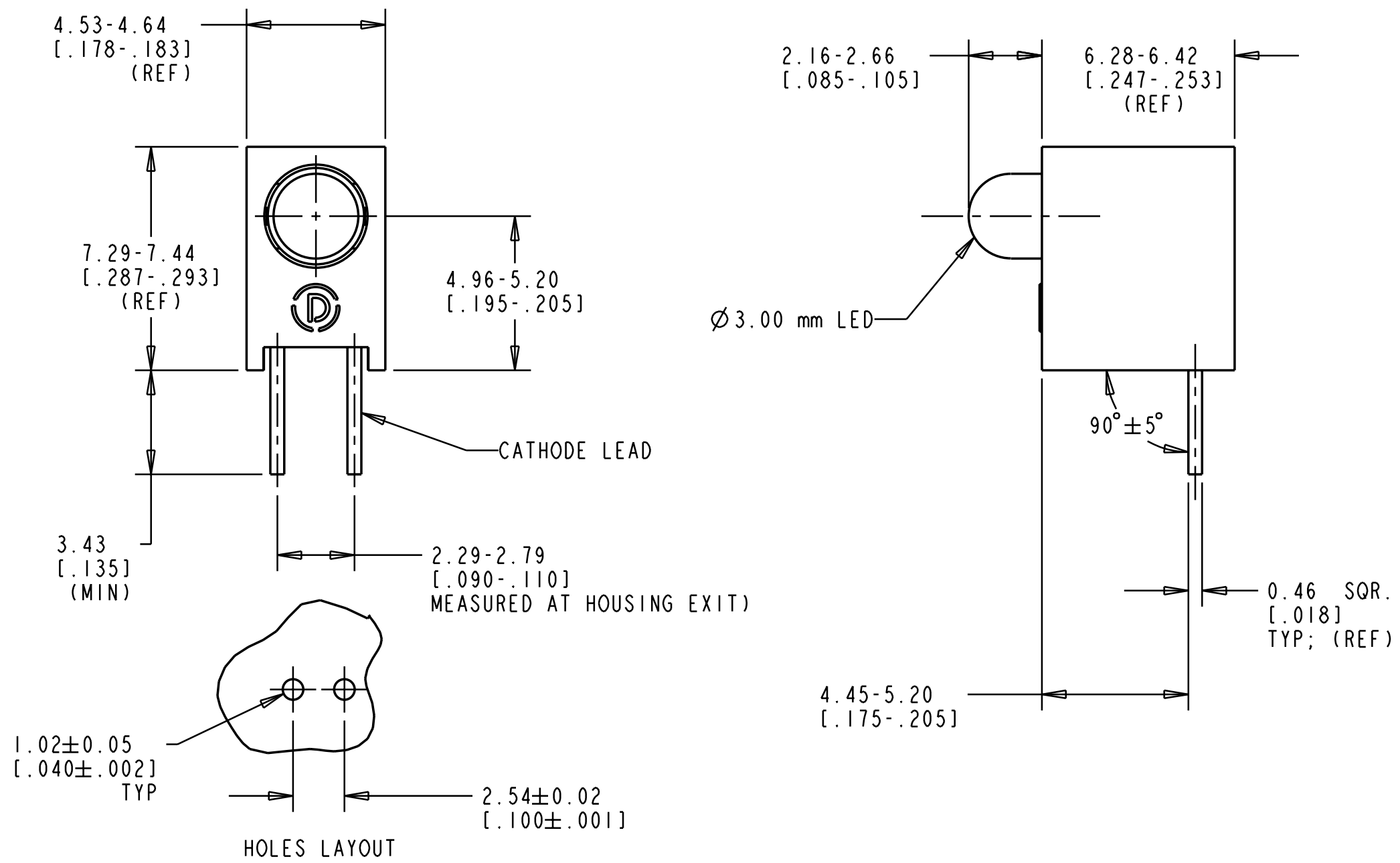
Tel: +86-755-8981 8866 Fax: +86-755-8427 6832

Email & Skype: info@chipsmall.com Web: www.chipsmall.com

Address: A1208, Overseas Decoration Building, #122 Zhenhua RD., Futian, Shenzhen, China



DIALIGHT PART NUMBER	OPERATING CHARACTERISTICS @ T _a = 25°C									MAXIMUM RATINGS				
	COLOR	VIEWING ANGLE	FORWARD VOLTAGE (V)		REVERSE VOLTAGE	PEAK WAVELENGTH (nm)	LUMINOUS INTENSITY (mcd)		TEST CONDITIONS	LINEAR DERATION	D.C. FORWARD CURRENT (mA)	OPERATING TEMPERATURE	STORAGE TEMPERATURE	LEAD SOLDERING TEMPERATURE
			TYP	MAX			MIN	TYP						
HLMP-1300-101	RED	60°	1.9	2.4	5 V @ I _R = 100 μA	635	8.6	13.8	I _F = 10 mA	0.5 mA/°C (FROM 50°C)	30	-55°C TO 100°C	-55°C TO 100°C	260°C FOR 5 SEC
HLMP-1301-101	RED	60°	1.9	2.4	5 V @ I _R = 100 μA	635	8.6	13.8	I _F = 10 mA	0.5 mA/°C (FROM 50°C)	30	-55°C TO 100°C	-55°C TO 100°C	
HLMP-1302-101	RED	60°	1.9	2.4	5 V @ I _R = 100 μA	635	8.6	13.8	I _F = 10 mA	0.5 mA/°C (FROM 50°C)	30	-55°C TO 100°C	-55°C TO 100°C	
HLMP-1321-101	RED	45°	2.2	3.0	5 V @ I _R = 100 μA	635	8.6	12.0	I _F = 10 mA	1.8 mW/°C (FROM 25°C)	30	-55°C TO 100°C	-55°C TO 100°C	
HLMP-1340-101	RED	45°	1.9	2.6	5 V @ I _R = 100 μA	635	35	45	I _F = 20 mA	—	30	-55°C TO 100°C	-55°C TO 100°C	
HLMP-1385-101	RED	60°	2.2	3.0	5 V @ I _R = 100 μA	635	6.0	10.0	I _F = 10 mA	1.8 mW/°C (FROM 25°C)	30	-55°C TO 100°C	-55°C TO 100°C	
HLMP-1401-101	YELLOW	60°	2.0	2.4	5 V @ I _R = 100 μA	583	3.6	7.0	I _F = 10 mA	0.2 mA/°C (FROM 50°C)	20	-55°C TO 100°C	-55°C TO 100°C	
HLMP-1402-101	YELLOW	60°	2.0	2.4	5 V @ I _R = 100 μA	583	3.6	7.0	I _F = 10 mA	0.2 mA/°C (FROM 50°C)	20	-55°C TO 100°C	-55°C TO 100°C	
HLMP-1420-101	YELLOW	60°	2.0	2.4	5 V @ I _R = 100 μA	583	3.6	7.0	I _F = 10 mA	0.2 mA/°C (FROM 50°C)	20	-55°C TO 100°C	-55°C TO 100°C	
HLMP-1421-101	YELLOW	45°	2.2	3.0	5 V @ I _R = 100 μA	583	6.0	12.0	I _F = 10 mA	1.6 mW/°C (FROM 50°C)	20	-55°C TO 100°C	-55°C TO 100°C	
HLMP-1440-101	YELLOW	45°	2.1	2.6	5 V @ I _R = 100 μA	583	35	45	I _F = 20 mA	—	20	-55°C TO 100°C	-55°C TO 100°C	
HLMP-1485-101	YELLOW	60°	2.2	3.0	5 V @ I _R = 100 μA	583	6.0	10.0	I _F = 10 mA	1.6 mW/°C (FROM 50°C)	20	-55°C TO 100°C	-55°C TO 100°C	
HLMP-1503-101	GREEN	60°	2.1	2.7	5 V @ I _R = 100 μA	565	2.6	7.0	I _F = 10 mA	0.5 mA/°C (FROM 50°C)	30	-20°C TO 100°C	-55°C TO 100°C	
HLMP-1520-101	GREEN	60°	2.1	2.7	5 V @ I _R = 100 μA	565	2.6	7.0	I _F = 10 mA	0.5 mA/°C (FROM 50°C)	30	-20°C TO 100°C	-55°C TO 100°C	
HLMP-1521-101	GREEN	45°	2.3	3.0	5 V @ I _R = 100 μA	565	4.2	12.0	I _F = 10 mA	1.8 mW/°C (FROM 25°C)	30	-20°C TO 100°C	-55°C TO 100°C	
HLMP-1523-101	GREEN	60°	2.1	2.7	5 V @ I _R = 100 μA	565	2.6	7.0	I _F = 10 mA	0.5 mA/°C (FROM 50°C)	30	-20°C TO 100°C	-55°C TO 100°C	
HLMP-1540-101	GREEN	45°	2.2	3.0	5 V @ I _R = 100 μA	565	35	45	I _F = 20 mA	—	30	-20°C TO 100°C	-55°C TO 100°C	
HLMP-1585-101	GREEN	60°	2.3	3.0	5 V @ I _R = 100 μA	565	4.0	8.5	I _F = 10 mA	1.8 mW/°C (FROM 25°C)	25	-20°C TO 100°C	-55°C TO 100°C	
			FORWARD CURRENT (mA)											
			TYP	MAX						D.C. FORWARD VOLTAGE (V)				
HLMP-1600-101	RED, 5 V	60°	10	15	5 V @ I _R = 100 μA	635	1.5	4.0	V _F = 5 V	0.071 V/°C (FROM 50°C)	7.5	-40°C TO 85°C	-55°C TO 100°C	
HLMP-1620-101	YELLOW, 5 V	60°	10	15	5 V @ I _R = 100 μA	583	2.0	8.0	V _F = 5 V	—	7.5	-40°C TO 85°C	-55°C TO 100°C	
HLMP-1640-101	GREEN, 5 V	60°	12	15	5 V @ I _R = 100 μA	565	2.0	8.0	V _F = 5 V	—	7.5	-20°C TO 85°C	-55°C TO 100°C	
			FORWARD VOLTAGE (V)											
			TYP	MAX						D.C. FORWARD CURRENT (mA)				
HLMP-1700-101	RED, 2 mA	50°	1.8	2.2	5 V @ I _R = 50 μA	635	1.0	1.8	I _F = 2 mA	—	7	-55°C TO 100°C	-55°C TO 100°C	
HLMP-1719-101	YELLOW, 2 mA	50°	1.9	2.7	5 V @ I _R = 50 μA	583	1.0	1.6	I _F = 2 mA	—	7	-55°C TO 100°C	-55°C TO 100°C	
HLMP-1790-101	GREEN, 2 mA	50°	1.8	2.2	5 V @ I _R = 50 μA	565	1.0	1.6	I _F = 2 mA	—	7	-20°C TO 100°C	-55°C TO 100°C	
HLMP-K150-101	AlGaAs RED	60°	1.6	1.8	5 V @ I _R = 100 μA	645	1.3	2.0	I _F = 1 mA	—	30	-20°C TO 100°C	-55°C TO 100°C	
HLMP-K101-101	AlGaAs RED	60°	1.8	2.2	5 V @ I _R = 100 μA	645	22	45	I _F = 20 mA	—	30	-20°C TO 100°C	-55°C TO 100°C	



REV.	ECN NO.	REVISIONS	DRN.	CKD.	APP.	DATE
A	—	NEW RELEASE	M.C.			

DIMENSIONS:
mm
[inches]

THIS DRAWING AND THE CONTENTS HEREIN ARE CONFIDENTIAL AND THE SOLE PROPERTY OF DIALIGHT. REPRODUCTION OF THIS DRAWING OR CONSTRUCTION OF ANY PARTS WITHIN THIS DRAWING ARE FORBIDDEN WITHOUT THE WRITTEN CONSENT OF DIALIGHT.		
SCALE 4:1	DRAWING NUMBER	REV
ALL DIM'S IN: INCHES	C-16478	A
TOLERANCES: UNLESS OTHERWISE SPECIFIED	TITLE	
FRACTIONS: ±1/64	Ø 3.00 mm CBI ARRAY	
DECIMALS (.XX): ±.01	MATERIAL	
DECIMALS (.XXX): ±.005	Dialight	
DECIMALS (.XXXX): ±.0005	1913 ATLANTIC AVE.	
ANGLES: ±1°	MANASQUAN, N.J. 08736	
FINISH:	SHEET	OF
FSCM 83330	FAMILY TABLES:	