



Chipsmall Limited consists of a professional team with an average of over 10 year of expertise in the distribution of electronic components. Based in Hongkong, we have already established firm and mutual-benefit business relationships with customers from,Europe,America and south Asia,supplying obsolete and hard-to-find components to meet their specific needs.

With the principle of “Quality Parts,Customers Priority,Honest Operation,and Considerate Service”,our business mainly focus on the distribution of electronic components. Line cards we deal with include Microchip,ALPS,ROHM,Xilinx,Pulse,ON,Everlight and Freescale. Main products comprise IC,Modules,Potentiometer,IC Socket,Relay,Connector.Our parts cover such applications as commercial,industrial, and automotives areas.

We are looking forward to setting up business relationship with you and hope to provide you with the best service and solution. Let us make a better world for our industry!



Contact us

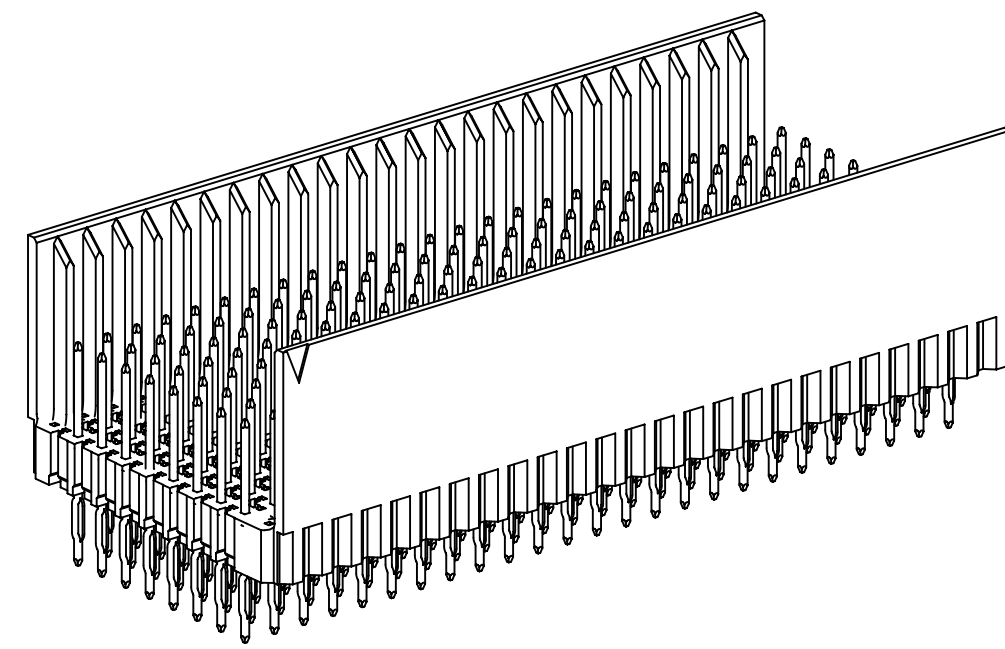
Tel: +86-755-8981 8866 Fax: +86-755-8427 6832

Email & Skype: info@chipsmall.com Web: www.chipsmall.com

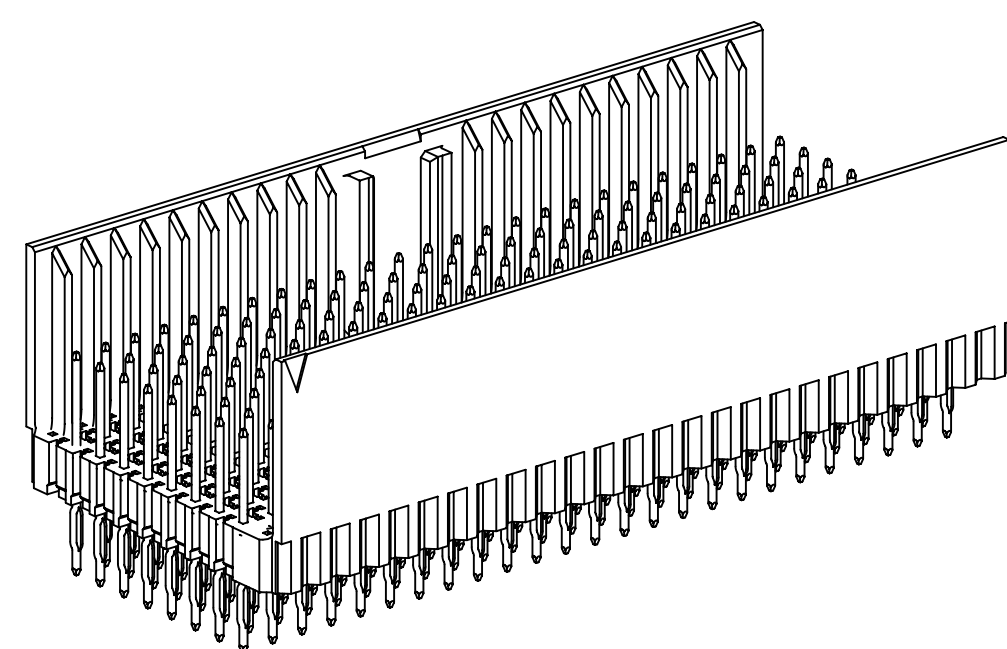
Address: A1208, Overseas Decoration Building, #122 Zhenhua RD., Futian, Shenzhen, China



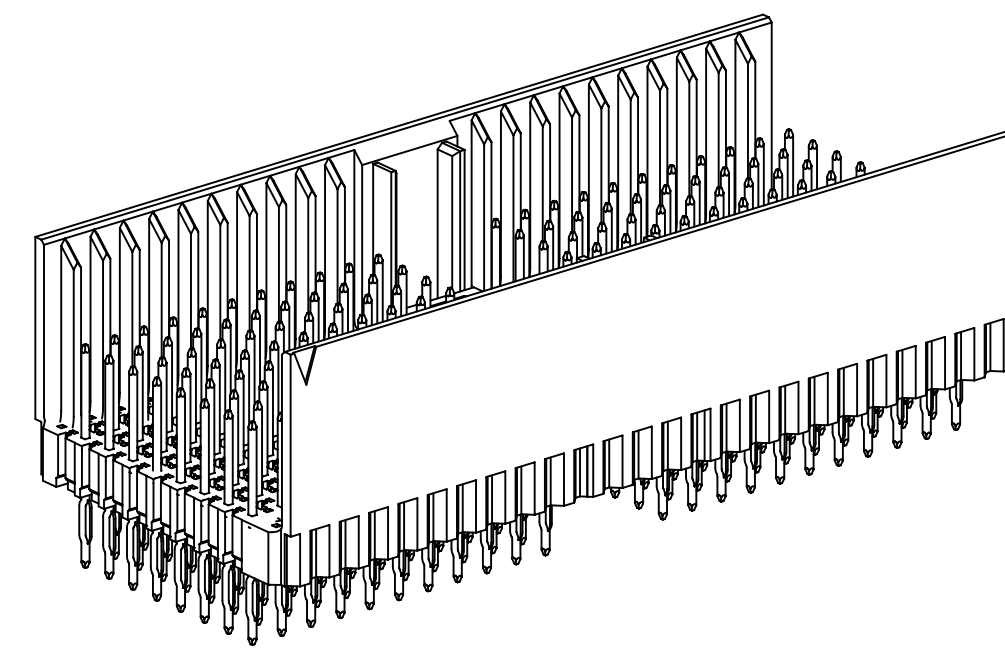
3M™ HM PRESS-FIT HEADER, 8-ROW, HM SERIES
FOR HARD METRIC APPLICATIONS



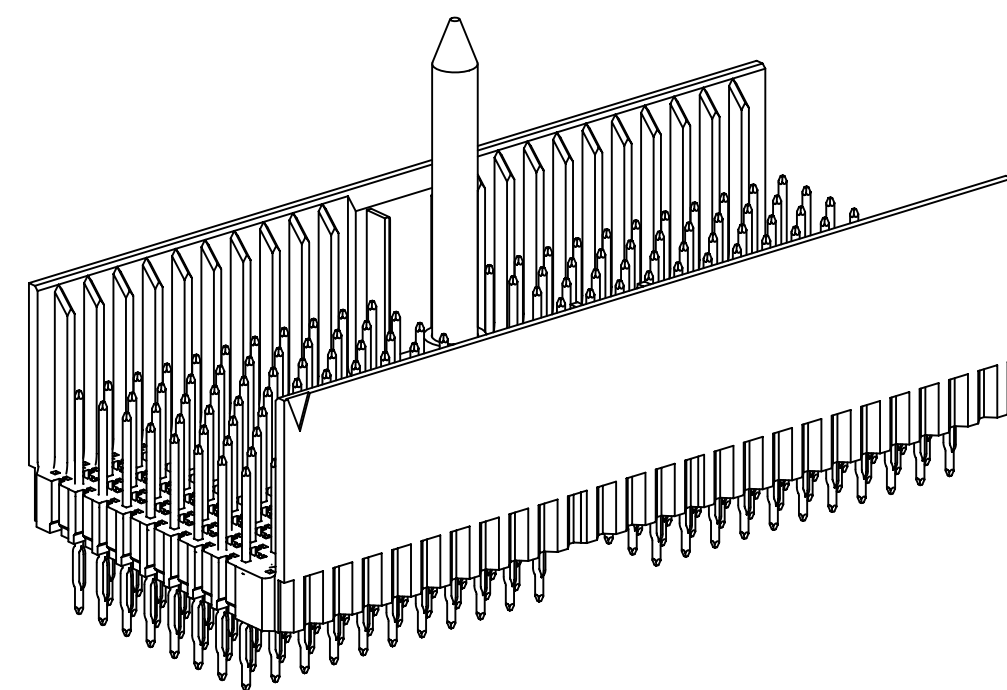
HM-H200E1-8CX1
HM-H244E2-8BX1



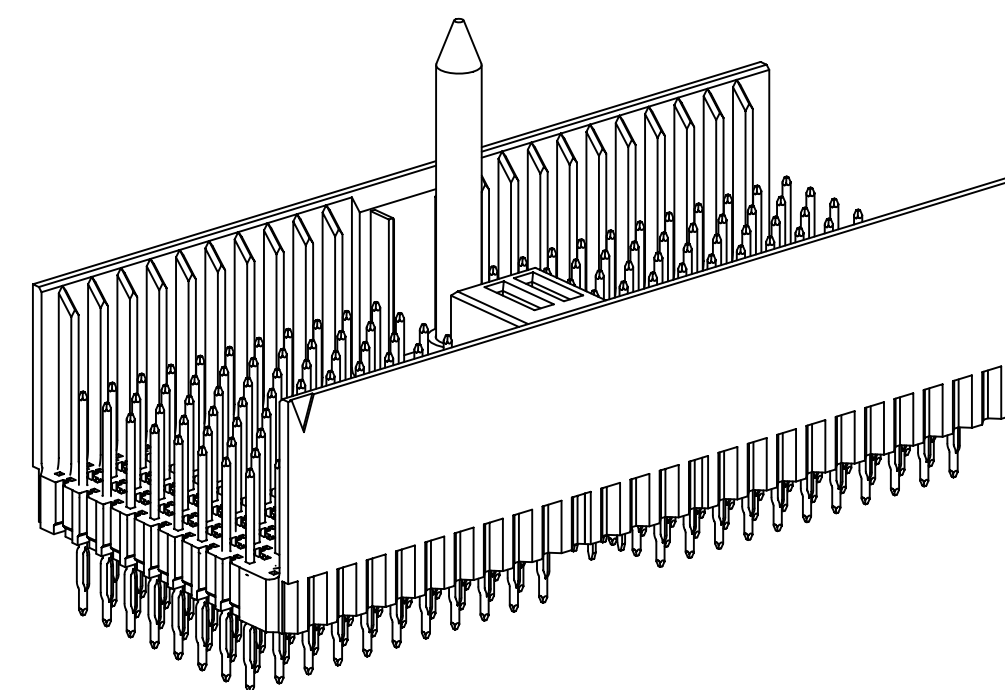
HM-H200DE1-8CX1
HM-H244DE2-8BX1



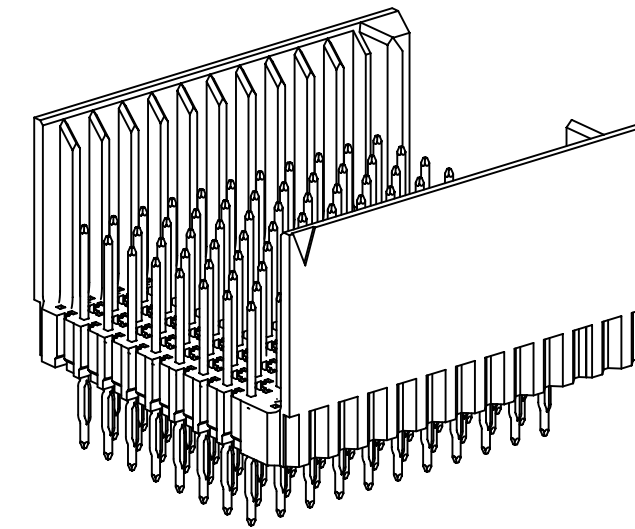
HM-H176D1-8CX1
HM-H220D2-8BX1



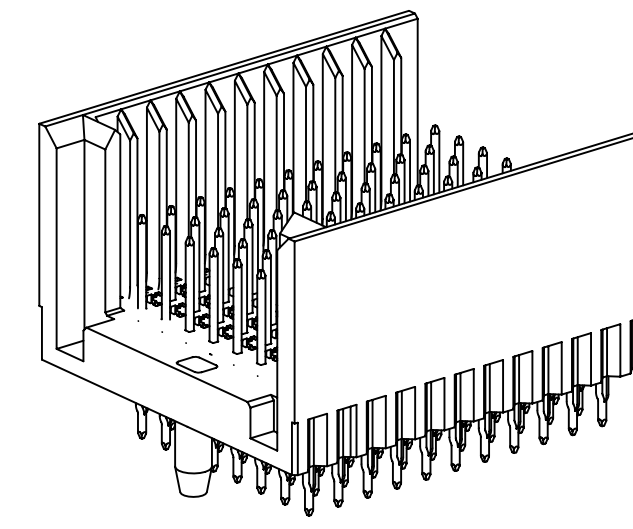
HM-H176DG1-8CX1
HM-H220DG2-8BX1



HM-H176DPWR1-8CX1
HM-H220DPWR2-8BX1



HM-H088FL1-8CX1
HM-H110FL2-8BX1



HM-H088FR1-8CX1
HM-H110FR2-8BX1

(UNLESS OTHERWISE SHOWN)
ORDERING INFORMATION
(ROWS I AND Z NOT LOADED)

HM-HXXXXX1-8CX1-XXXXX

HEADER POSITION AND TYPE | TAIL STYLE: P = PRESS-FIT TAIL, S = SOLDER TAIL | PLATING

(UNLESS OTHERWISE SHOWN)
ORDERING INFORMATION
(ROWS I AND Z LOADED, 8.3MM MATE LENGTH)

HM-HXXXXX2-8BX1-XXXXX

HEADER POSITION AND TYPE | TAIL STYLE: P = PRESS-FIT TAIL, S = SOLDER TAIL | PLATING

PLATING SPECIFICATIONS:

- TG30L = .76µM [30µIN] MIN. GOLD ON CONTACT AREA, LUBRICATED
2.54µM [100µIN] MIN. TIN/LEAD ON TERMINAL AREA (RIA C2 & E2 APPLY)
1.27µM [50µIN] MIN. NICKEL ALL OVER.
TYPICALLY HIGHER MAKE ORDER QUANTITIES AS COMPARED TO TG30.
- TG30 = .76µM [30µIN] MIN. GOLD ON CONTACT AREA
2.54µM [100µIN] MIN. TIN/LEAD ON TERMINAL AREA (RIA C2 & E2 APPLY)
1.27µM [50µIN] MIN. NICKEL ALL OVER.
STANDARD OPTION.
- TG50 = 1.27µM [50µIN] MIN. GOLD ON CONTACT AREA, LUBRICATED
2.54µM [100µIN] MIN. TIN/LEAD ON TERMINAL AREA (RIA C2 & E2 APPLY)
1.27µM [50µIN] MIN. NICKEL ALL OVER.
NON-STANDARD OPTION (AVAILABLE WITH LONGER LEAD TIMES AND HIGHER MAKE ORDER QUANTITIES, MOQ)
- KR = .76µM [30µIN] MIN. GOLD ON CONTACT AREA
2.54µM [100µIN] MIN. MATTE TIN ON TERMINAL AREA (RIA C2 & E2 APPLY)
1.27µM [50µIN] MIN. NICKEL ALL OVER.

- * MODULAR/SCALABLE FORMAT IEC 61076-4-101
- * PRESS-FIT OF SOLDER TAIL VERSION
- * 101 MATED LINES PER INCH
- * SHIPS WITH PROTECTIVE CAP, WHICH ALSO SERVES AS AN INSERTION TOOL
- * END-TO-END STACKABLE WITH 8 ROW 3M™ HM AND HSHM PRODUCTS
- * INTEGRATED GUIDE AND GUIDE PIN
- * MULTI-PURPOSE CENTER (MPC) KEYING AND GUIDANCE
- * FOUR INTEGRATED 8.25 A POWER CONTACTS AND GUIDE PIN

- NOTES
- MATERIAL:
PLASTIC: HIGH TEMP LCP, UL94V-0
PINS: COPPER ALLOY.
 - REGULATORY INFORMATION:
ROHS COMPLIANT. SEE THE REGULATORY INFORMATION APPENDIX (RIA) IN THE "ROHS COMPLIANCE" SECTION OF WWW.3MCONNECTORS.COM FOR COMPLIANCE INFORMATION (RIA E1 & C1 APPLY)
 - IN THE EVENT OF CONFLICT BETWEEN THIS DATA AND THAT CONTAINED IN THE PRODUCT SPECIFICATION, THE PRODUCT SPECIFICATION TAKES PRECEDENT.

MECHANICAL:

NORMAL FORCE (NOMINAL): .57N [58g] SIGNAL
ENGAGEMENT FORCE (NOMINAL): .32N [33g] SIGNAL
SEPARATION FORCE (NOMINAL): .20N [20g] SIGNAL
WIPE (NOMINAL, SHORTEST CONTACT): 2.67 [.105] SIGNAL
MATE/UNMATE CYCLES: 250
APPLICATION: THIS MODULE IS NOT SUITABLE FOR STAND-ALONE USE. (REFER TO IEC-61076-4-101)

ELECTRICAL:

CURRENT RATING (FULLY LOADED): 1A @ 70°C SIGNAL
INSULATION RESISTANCE: 1 X 10⁴ MΩ @ 100 V_{DC}
WITHSTANDING VOLTAGE: 750V_{RMS}

ENVIRONMENTAL:

TEMPERATURE RATING: -55°C TO 125°C
PROCESS RATING: MAX. 260°C (PER J-STD-020C)
WITHSTANDING VOLTAGE: 1 (PER J-STD-020C)

3M™ ELECTRONIC SOLUTIONS DIVISION
INTERCONNECT SOLUTIONS
<http://www.3mconnectors.com>

3M IS A TRADEMARK OF 3M COMPANY.
FOR TECHNICAL, SALES OR ORDERING
INFORMATION CALL 800-225-5373

CAUS
UL FILE NO: E68080

DESIGN REFERENCE		NEXT ASSEMBLY	REV	ECO	ISSUE DATE AND DESCRIPTION	DRFT	CHKD
A 39815					MAR 28, 2012	JNC	TS
DIVISION		DIVISION CODE	DATE		DATE		
Interconnect Solutions		ISD	MAR 28, 2012		MAR 28, 2012		
DO NOT SCALE DRAWING		SCALE 5/2	TOLERANCES EXCEPT AS NOTED				
THIRD ANGLE PROJECTION		INCHES		MILLIMETERS			
INTERPRET PER ASME Y14.5 - 1994		.01 ± .01 .000 ± .005 .0000 ±		0 ± .3 .00 ± .13 .000 ±			
MAX SURFACE ROUGHNESS		SURFACES		CAGE NUMBER			
MARKED ONLY		ANGLES		D 78-5100-2517-0			
				REV. A			
				SHT 1 OF 4			

78-5100-2517-0
DRAWING NUMBER

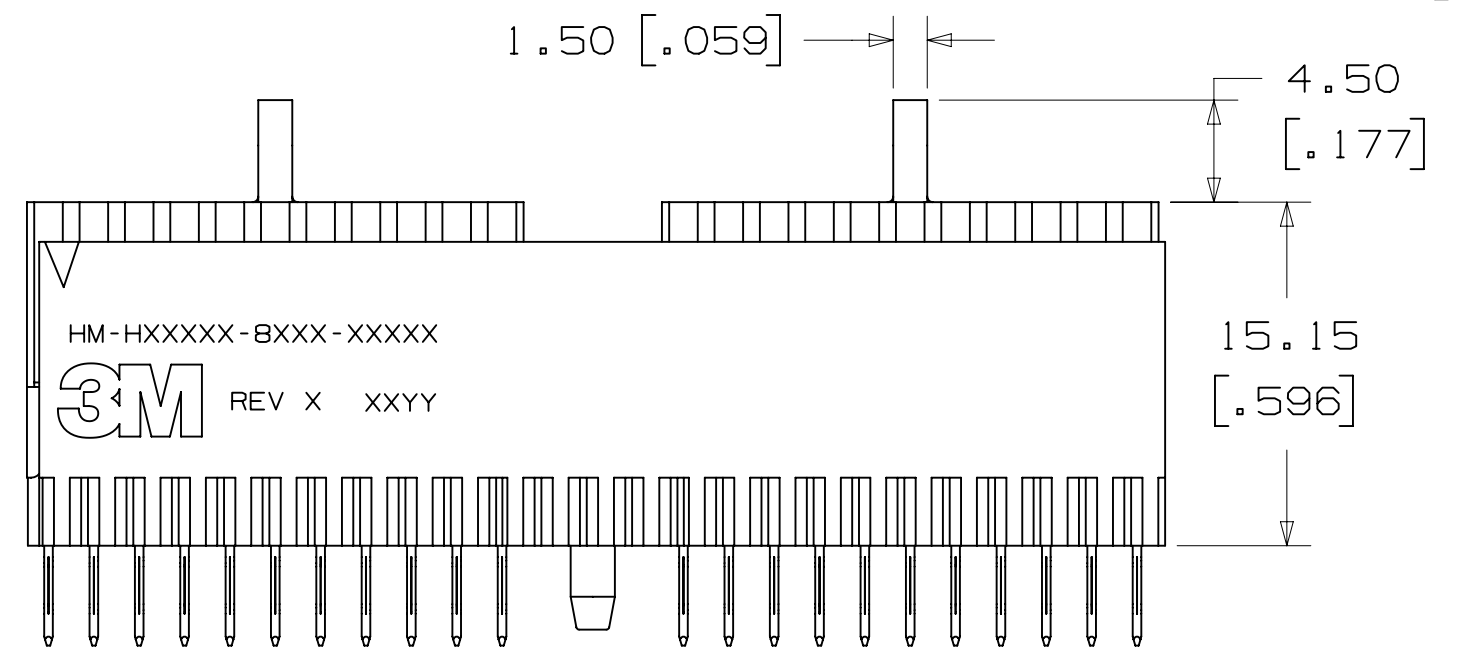
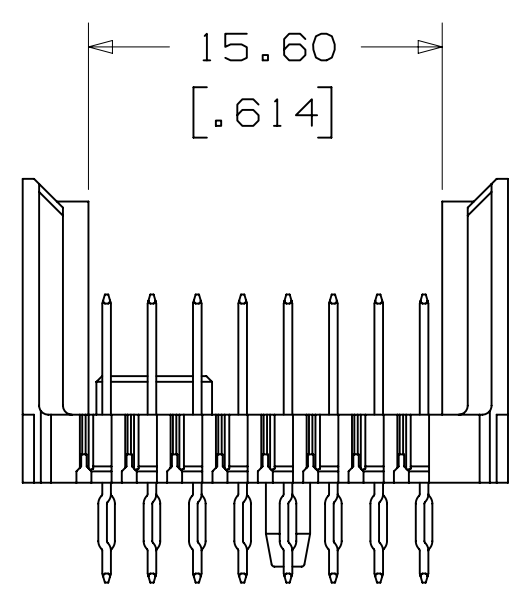
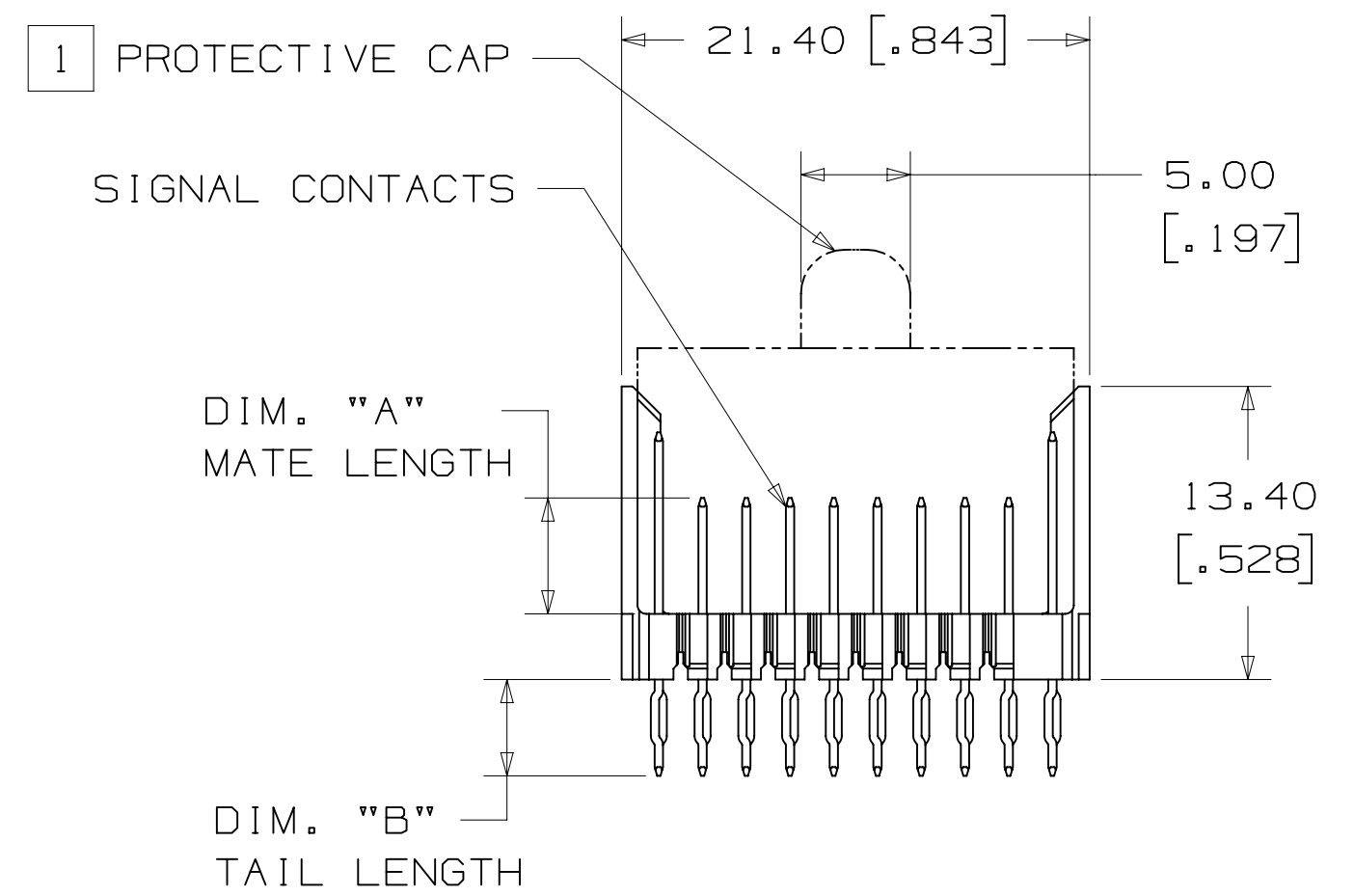
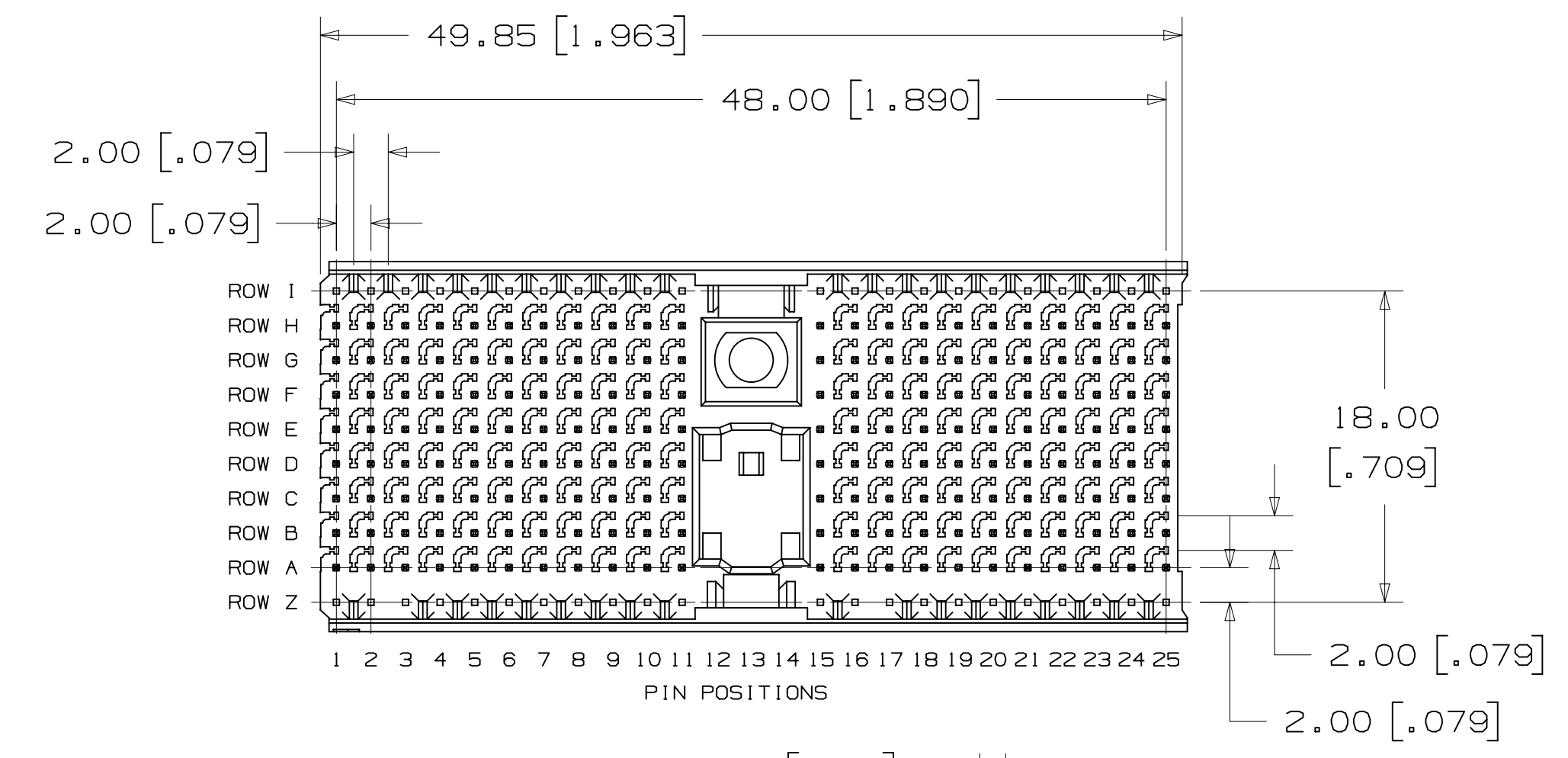
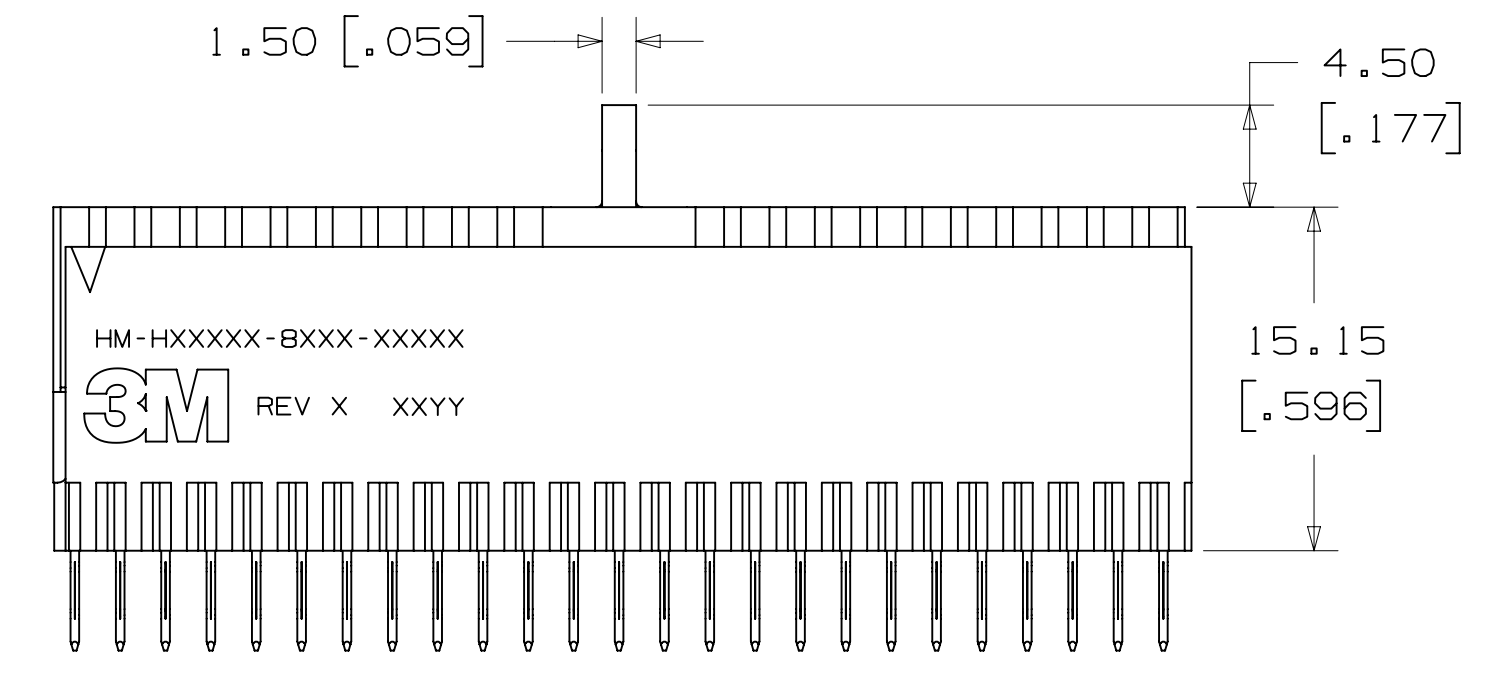
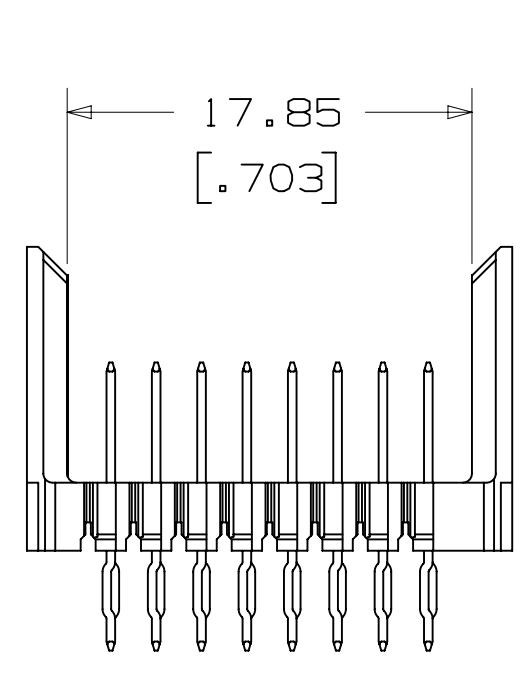
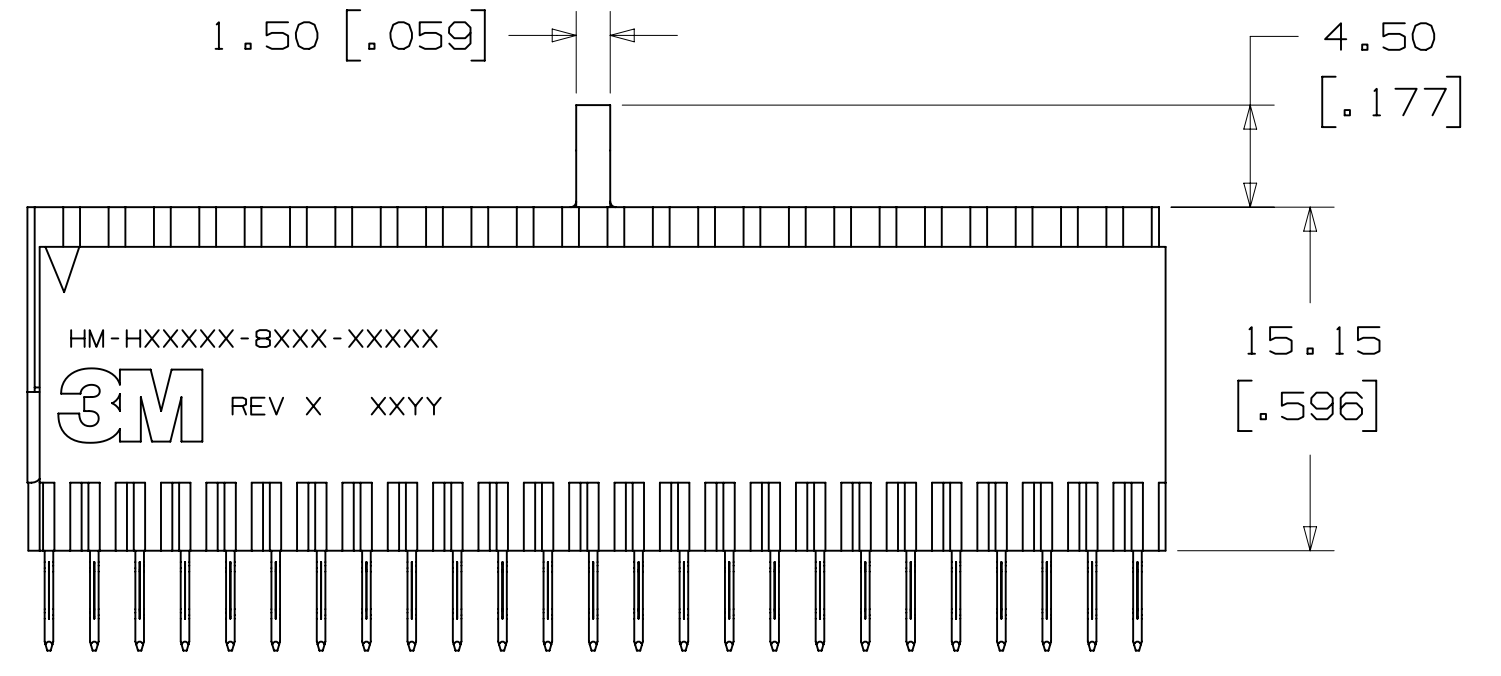
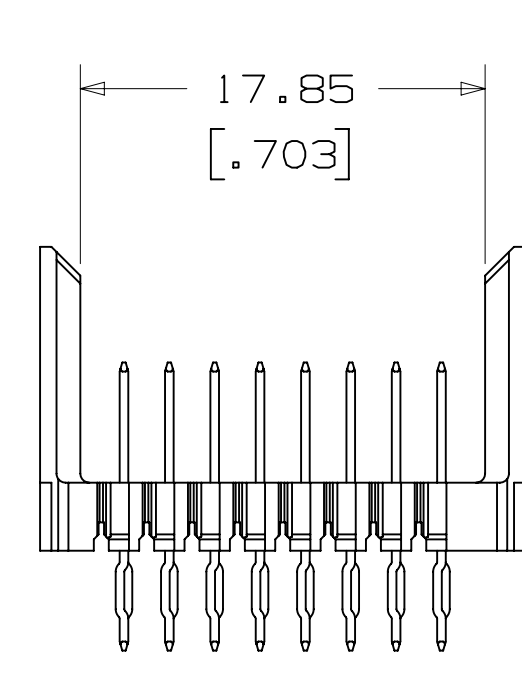
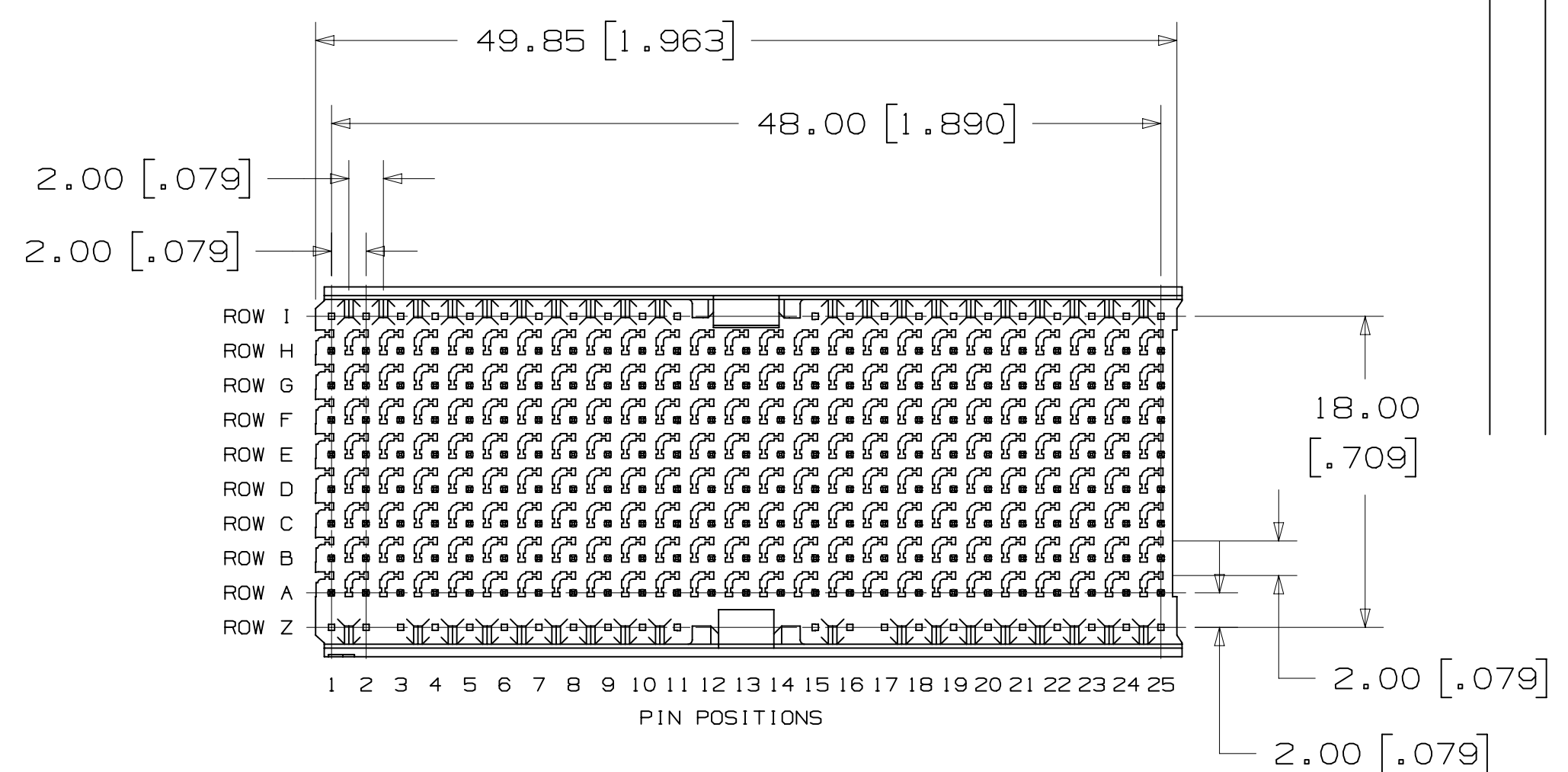
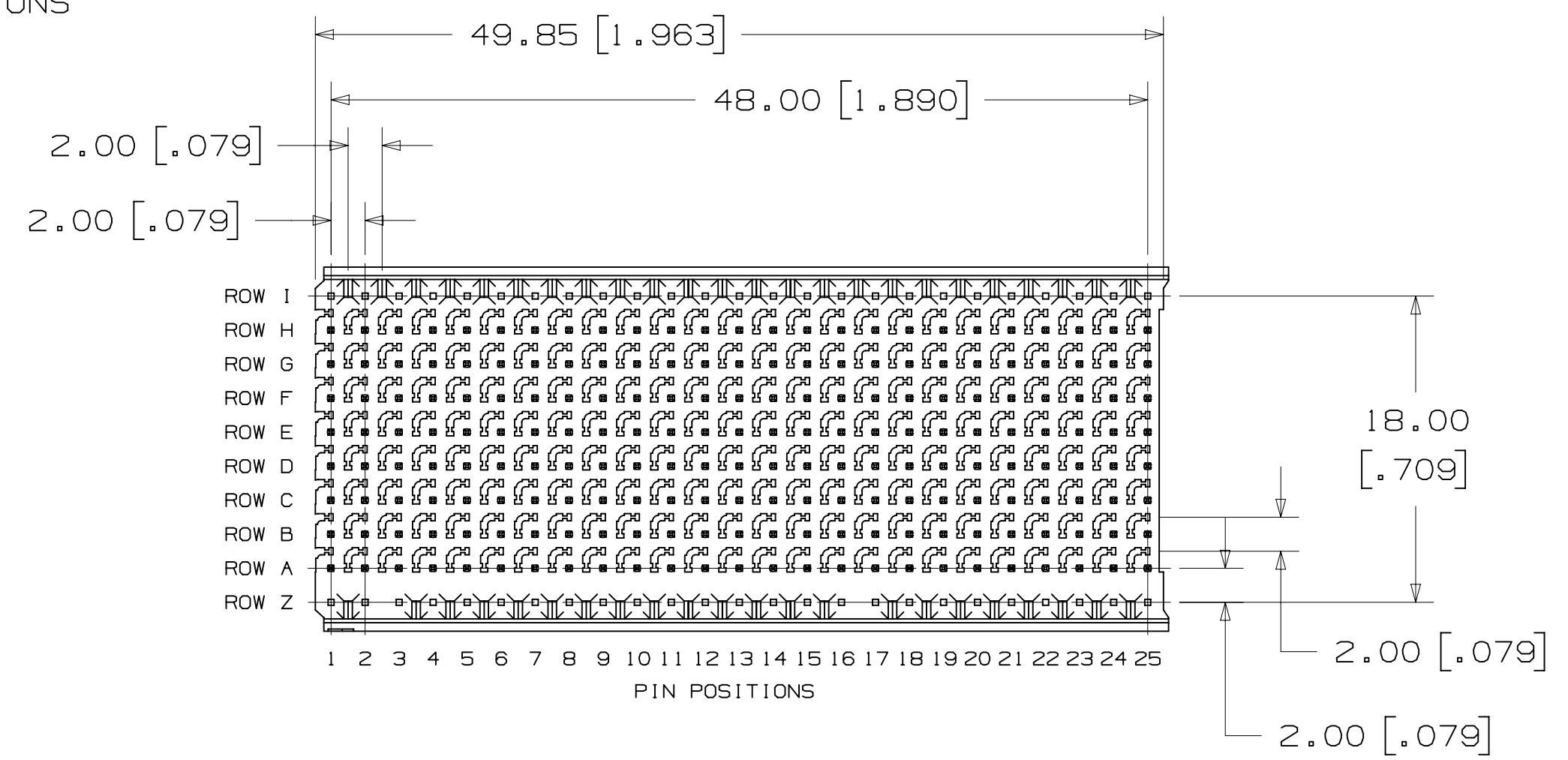
REVISION

B

A

3M™ HM PRESS-FIT HEADER, 8-ROW, HM SERIES
FOR HARD METRIC APPLICATIONS

NOTES
1 CAPS TO BE REMOVED AFTER PRESS-FIT INSTALLATION PROCESS.



TYPICAL SIDE VIEW DIMENSIONS FOR THE HEADERS ON THIS DRAWING

1 PROTECTIVE CAP
SIGNAL CONTACTS
DIM. "A" MATE LENGTH
DIM. "B" TAIL LENGTH

STANDARD CONFIGURATION
DIM. "A" 5.3 [.21] FOR ROWS A THRU H
DIM. "B" 4.4 [.17] EXCEPT AS NOTED

FOR NON-STANDARD CONFIGURATIONS CONTACT A 3M SALES REPRESENTATIVE

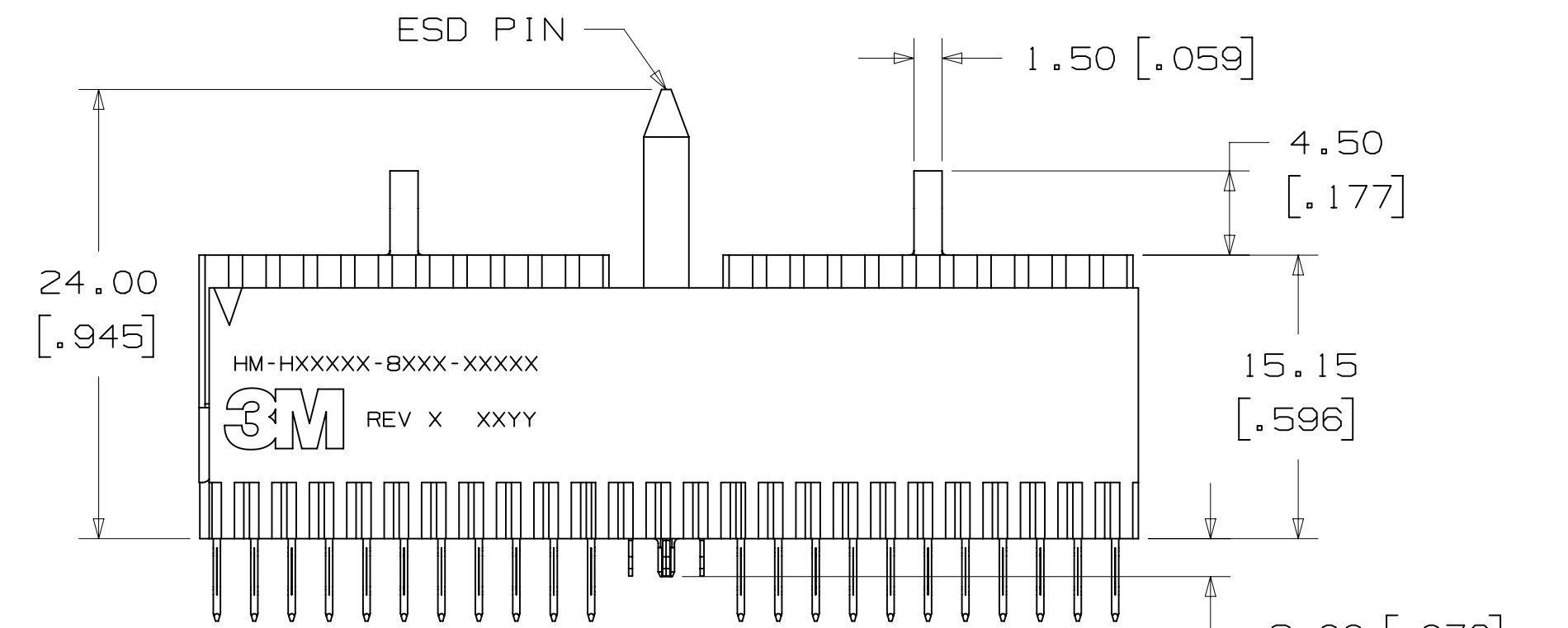
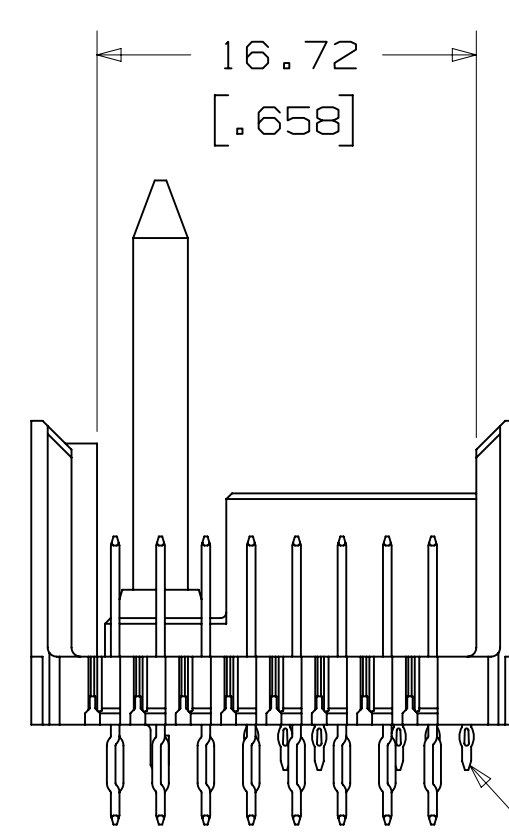
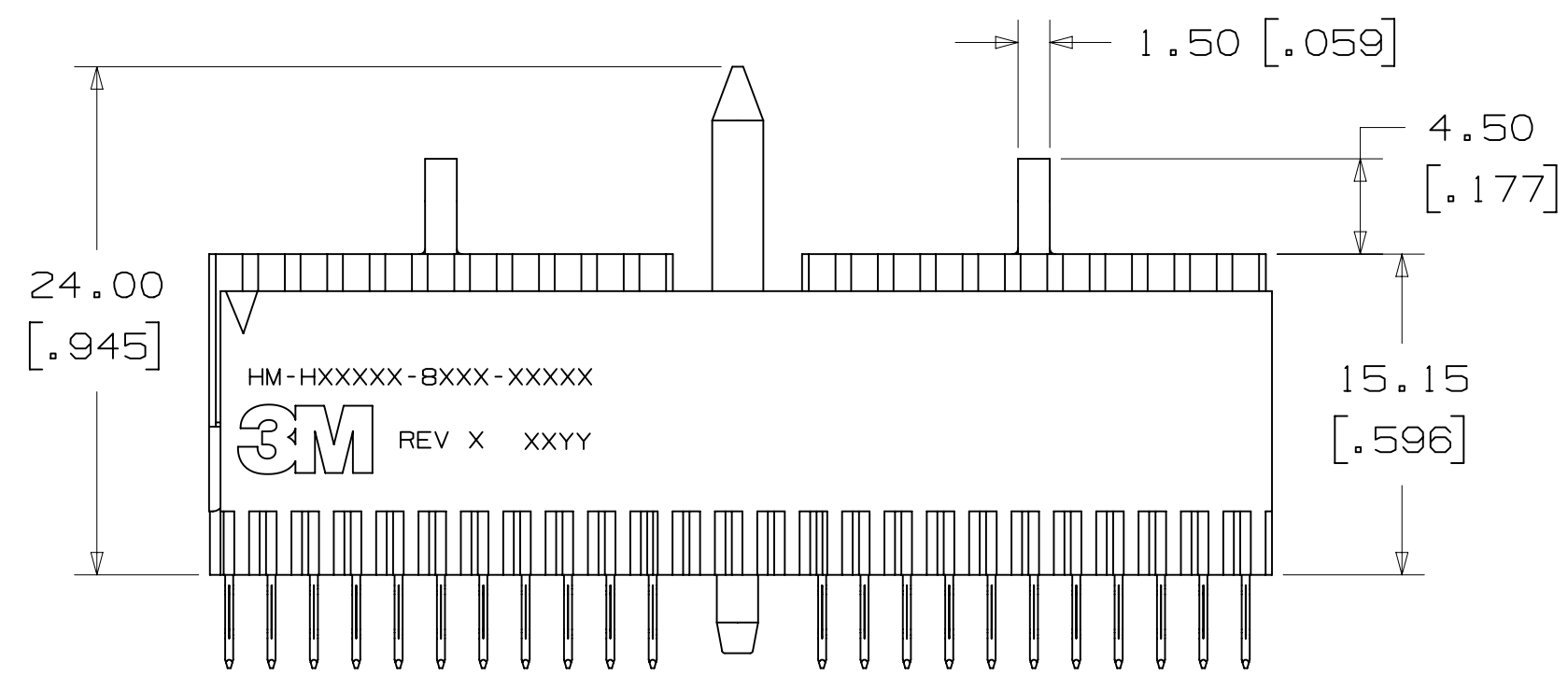
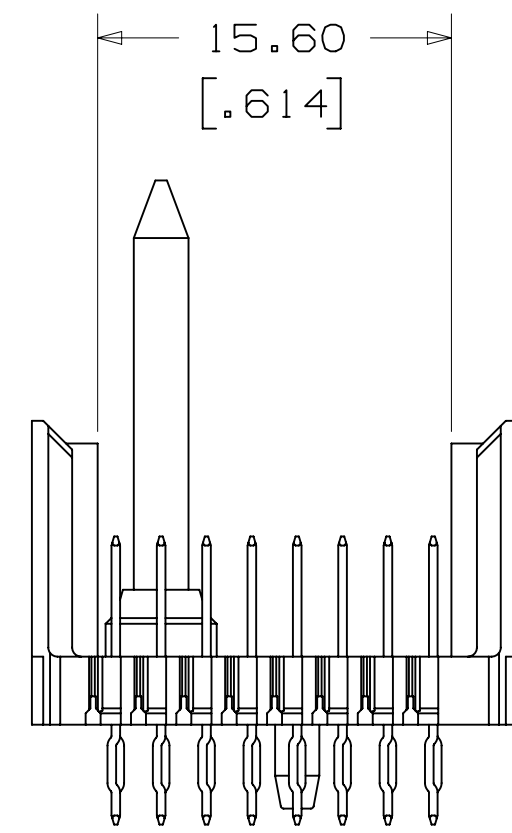
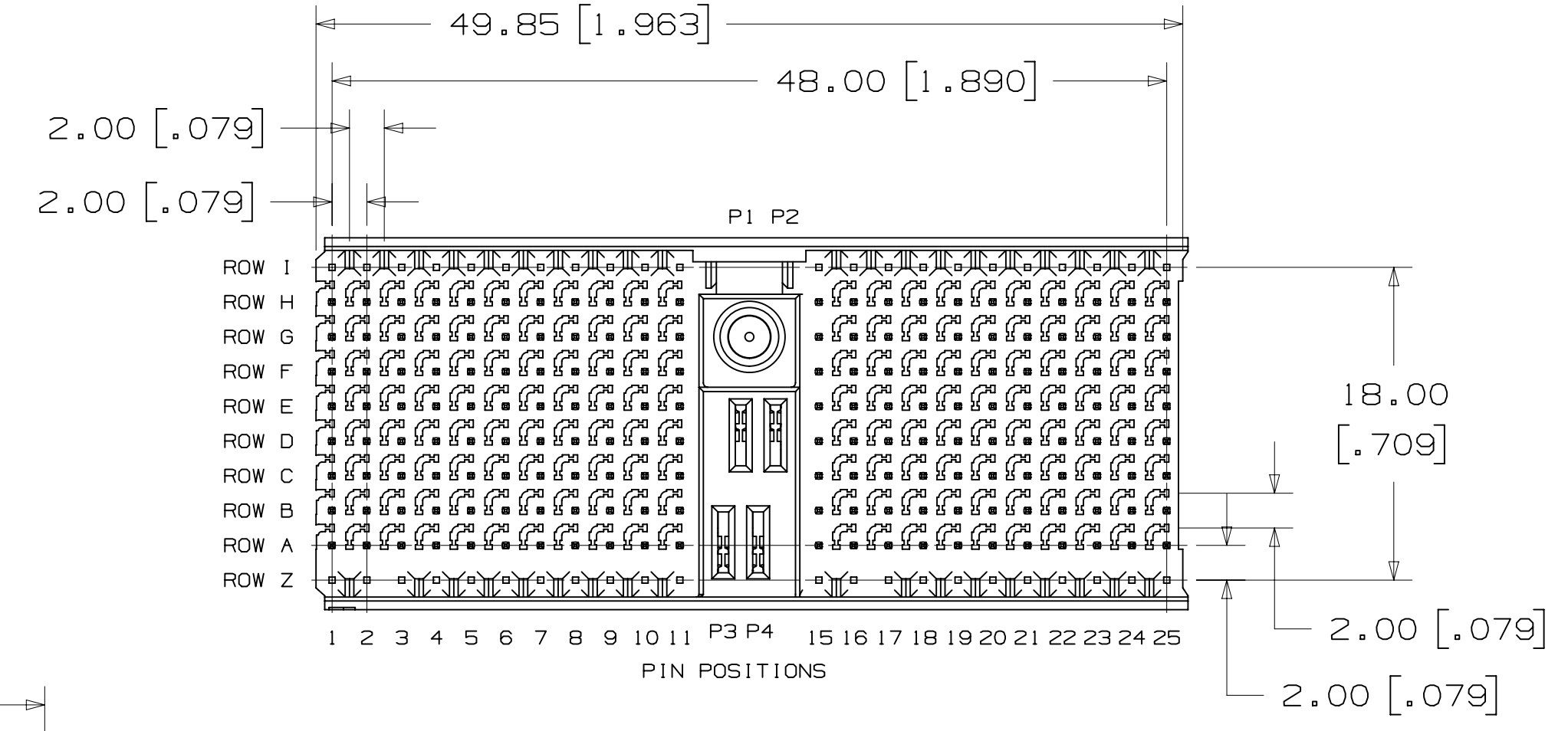
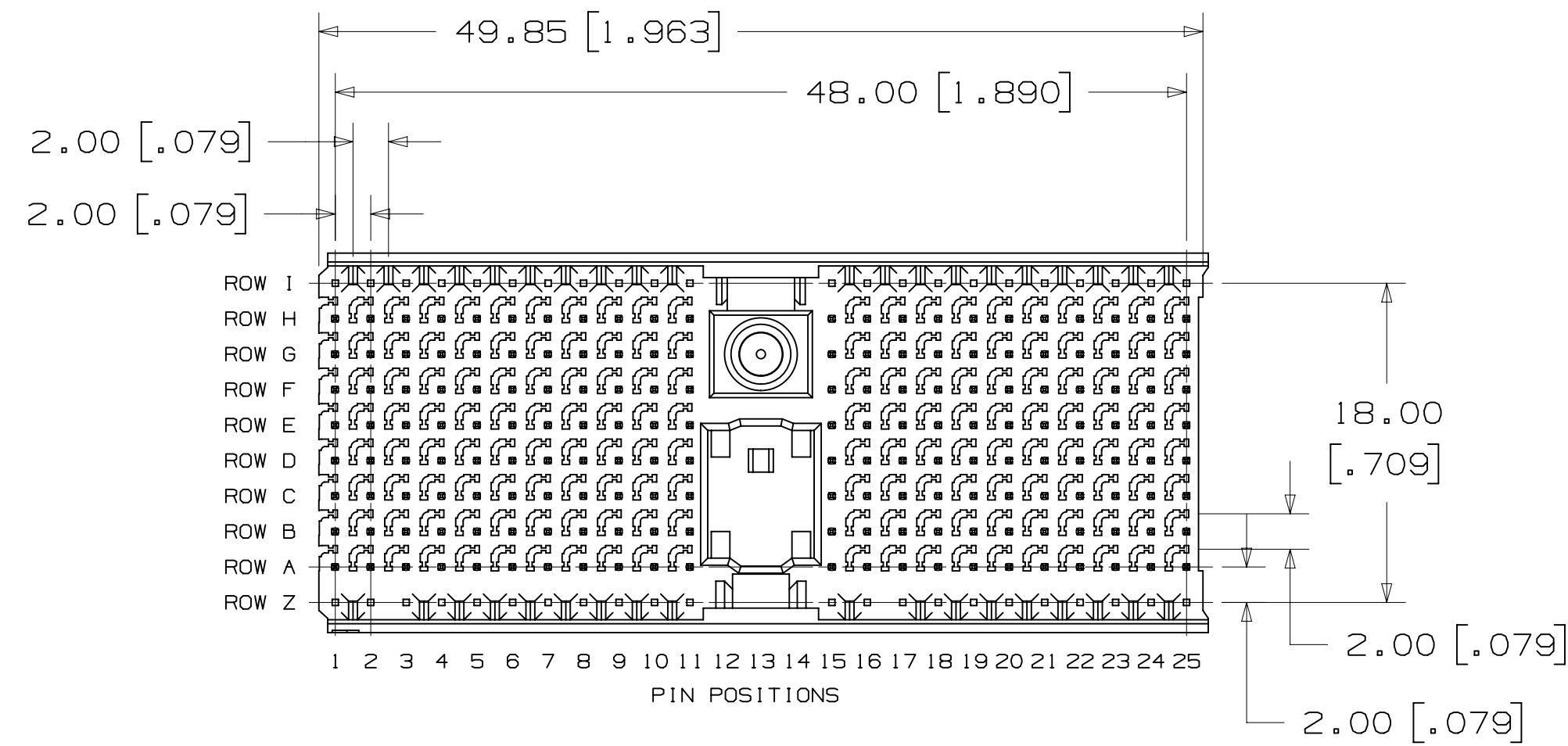
DESIGN REFERENCE	NEXT ASSEMBLY	REV	ECO	ISSUE DATE AND DESCRIPTION	DRFT	CHKD
		A	39815	MAR 28, 2012 PRODUCTION RELEASE	JNC	TS
DIVISION	DIVISION CODE	DATE	DATE	DATE	DATE	DATE
Interconnect Solutions	ISD	C	CASTIGLIONE	MAR 28, 2012	T.	SUNIGA
DO NOT SCALE DRAWING	SCALE 3/1	TOLERANCES EXCEPT AS NOTED				
THIRD ANGLE PROJECTION	INTERPRET PER ASME Y14.5 - 1994	TITLE	HM PRESS-FIT HEADER, 8-ROW, HM SERIES			
MAX SURFACE ROUGHNESS	SURFACES	CAGE NUMBER	SIZE	DRAWING NO.	REV.	
MARKED ONLY	ANGLES	D	78-5100-2517-0	A		

78-5100-2517-0
DRAWING NUMBER

A

SHT 2 OF 4

3M™ HM PRESS-FIT HEADER, 8-ROW, HM SERIES
FOR HARD METRIC APPLICATIONS



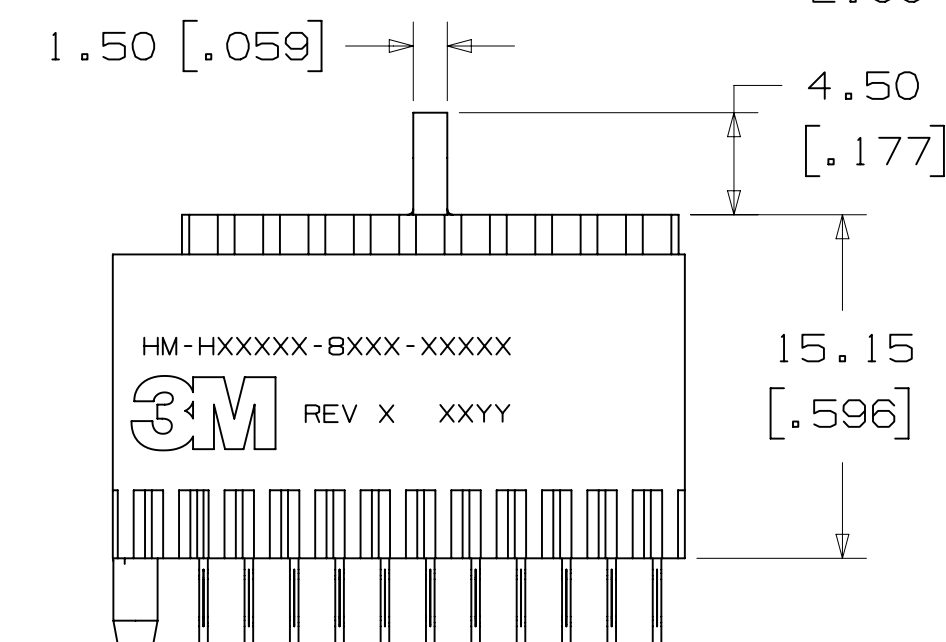
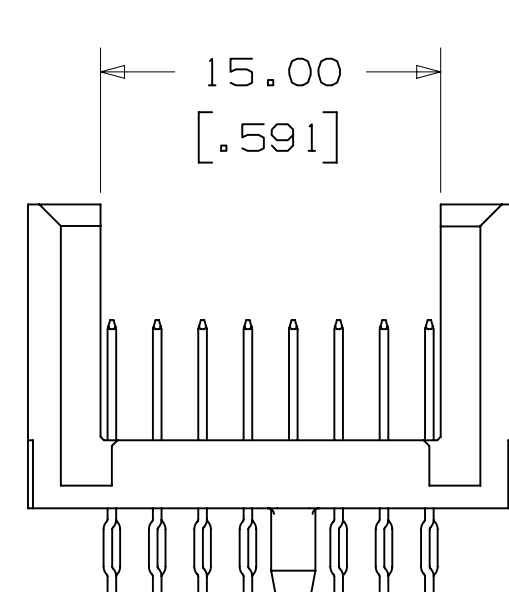
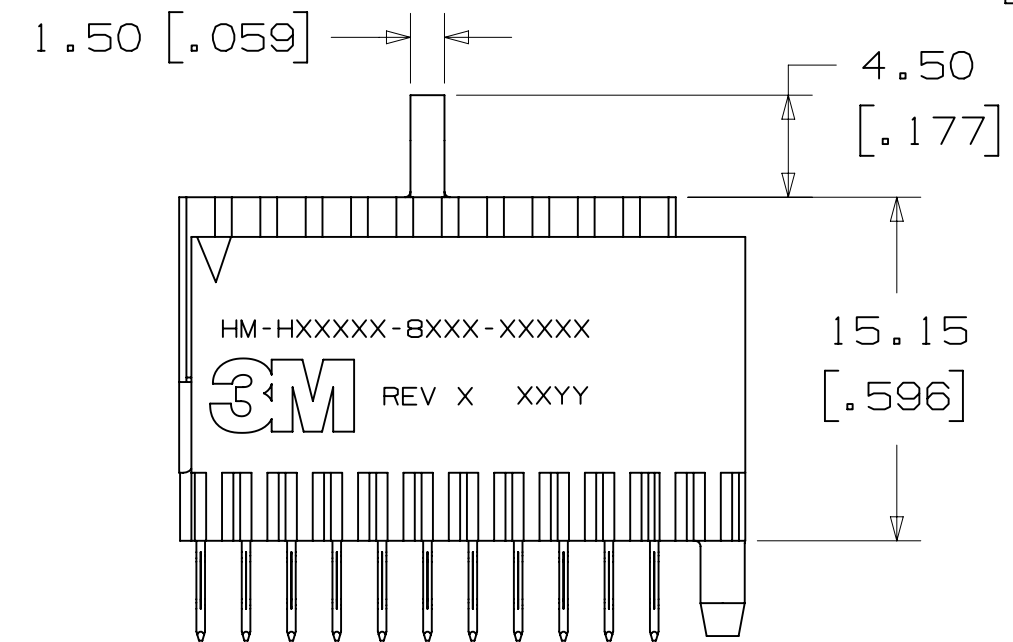
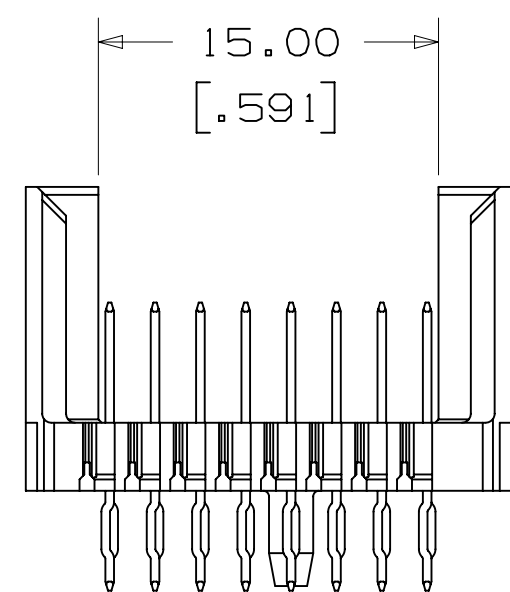
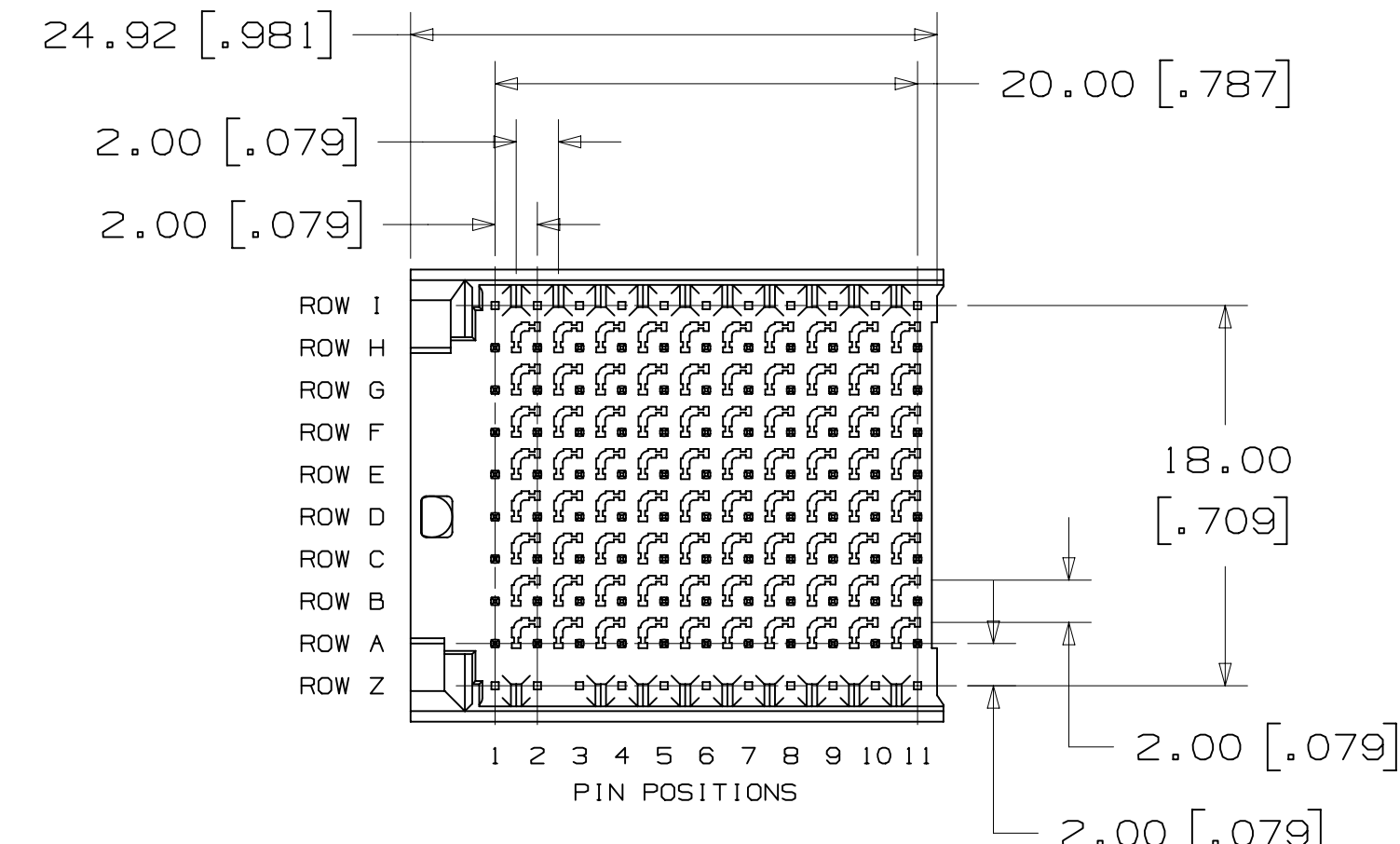
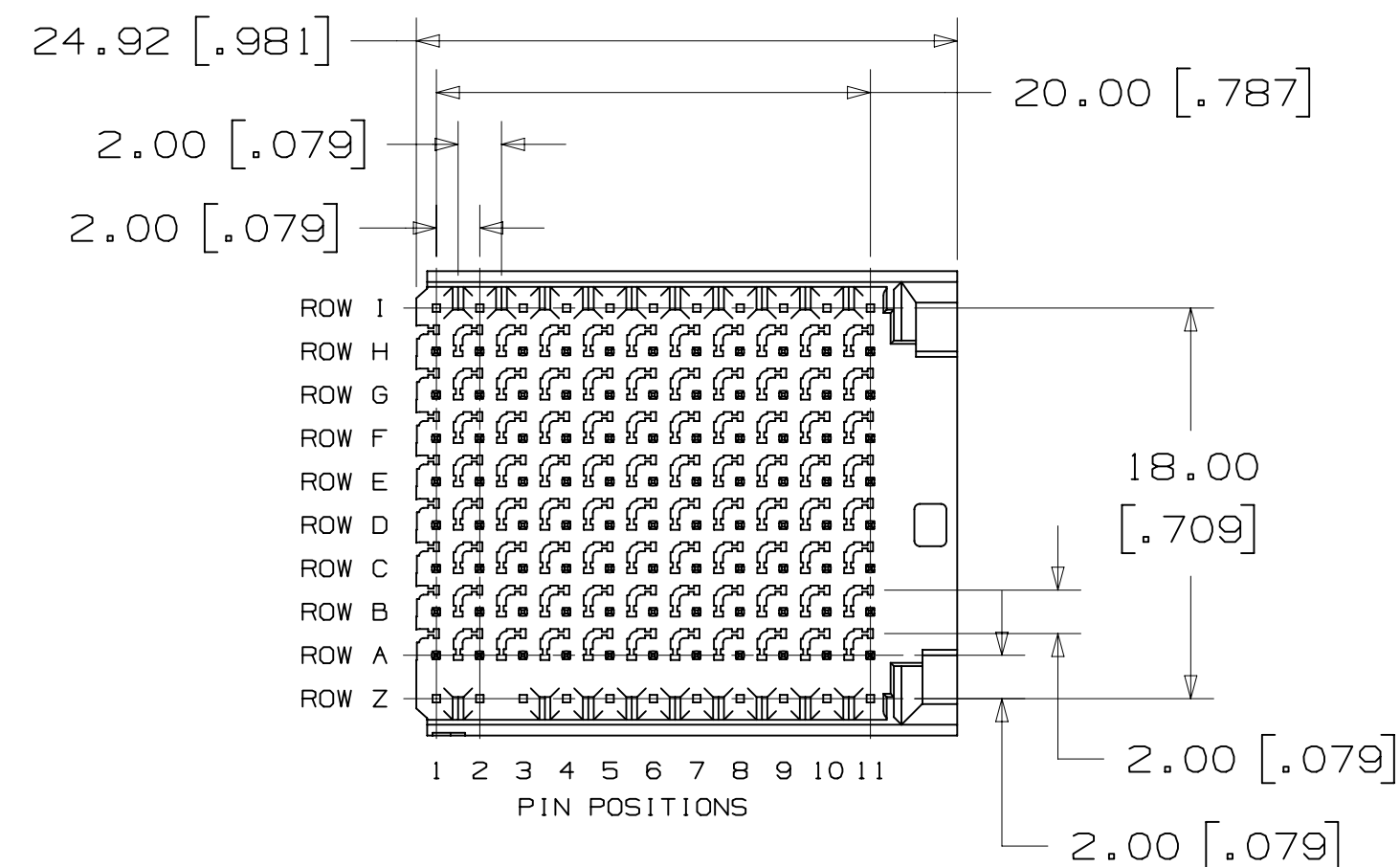
HM-H176DG1 - 8CX1
HM-H220DG2 - 8BX1

POWER TAILS
(4 CONTACTS,
12 LEADS)

HM-H176DPWR1 - 8CXX
HM-H220DPWR2 - 8BXX

ESD PIN TAIL
LENGTH

DIM. "B" TAIL LENGTH
1 = 4.4 [.17] PIN, 2.0 [.08] POWER
AND 2.0 [.08] ESD
2 = 4.4 [.17] PIN, 4.4 [.17] POWER
AND 2.0 [.08] ESD



HM-H088FL1 - 8CX1
HM-H110FL2 - 8BX1

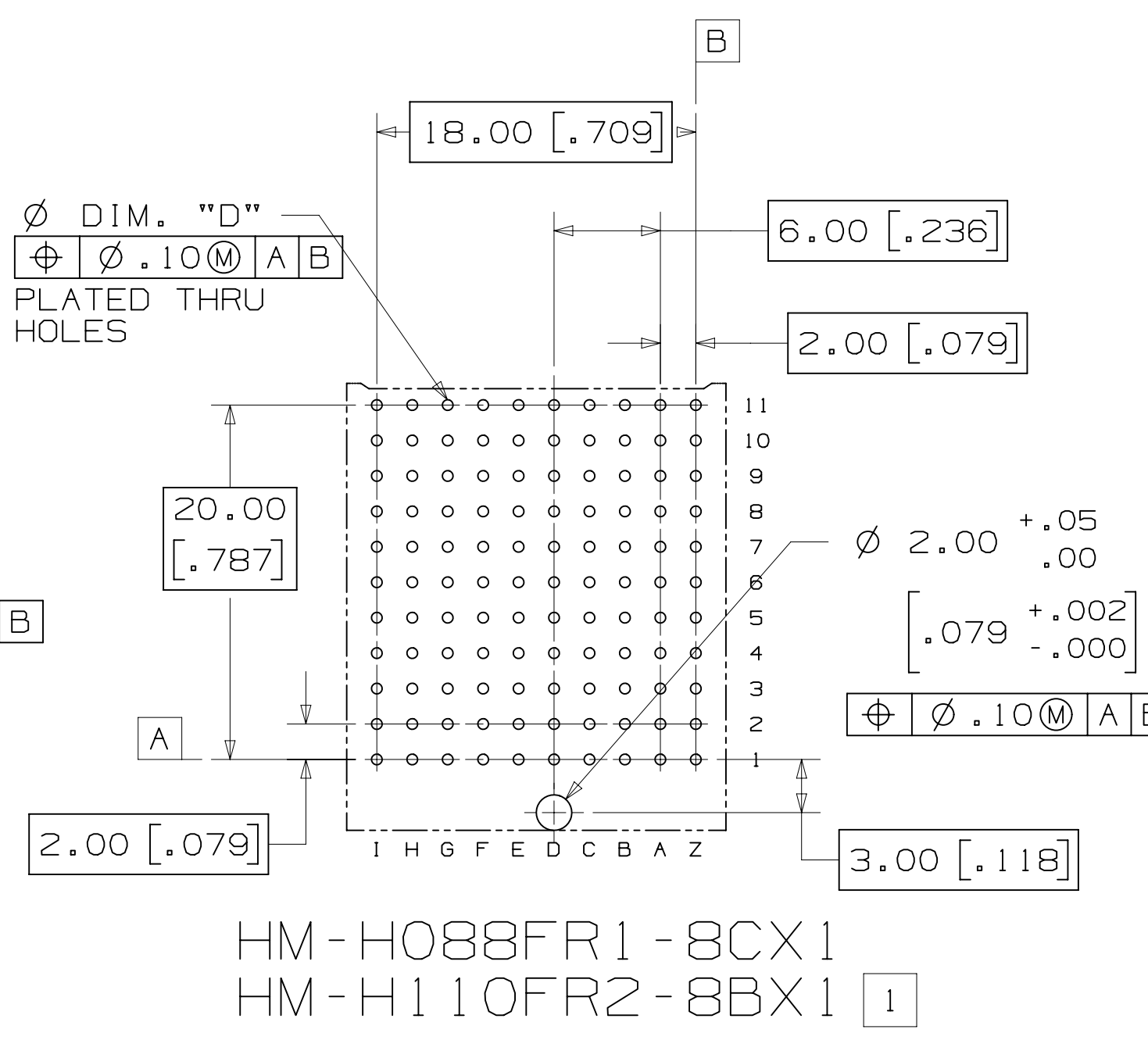
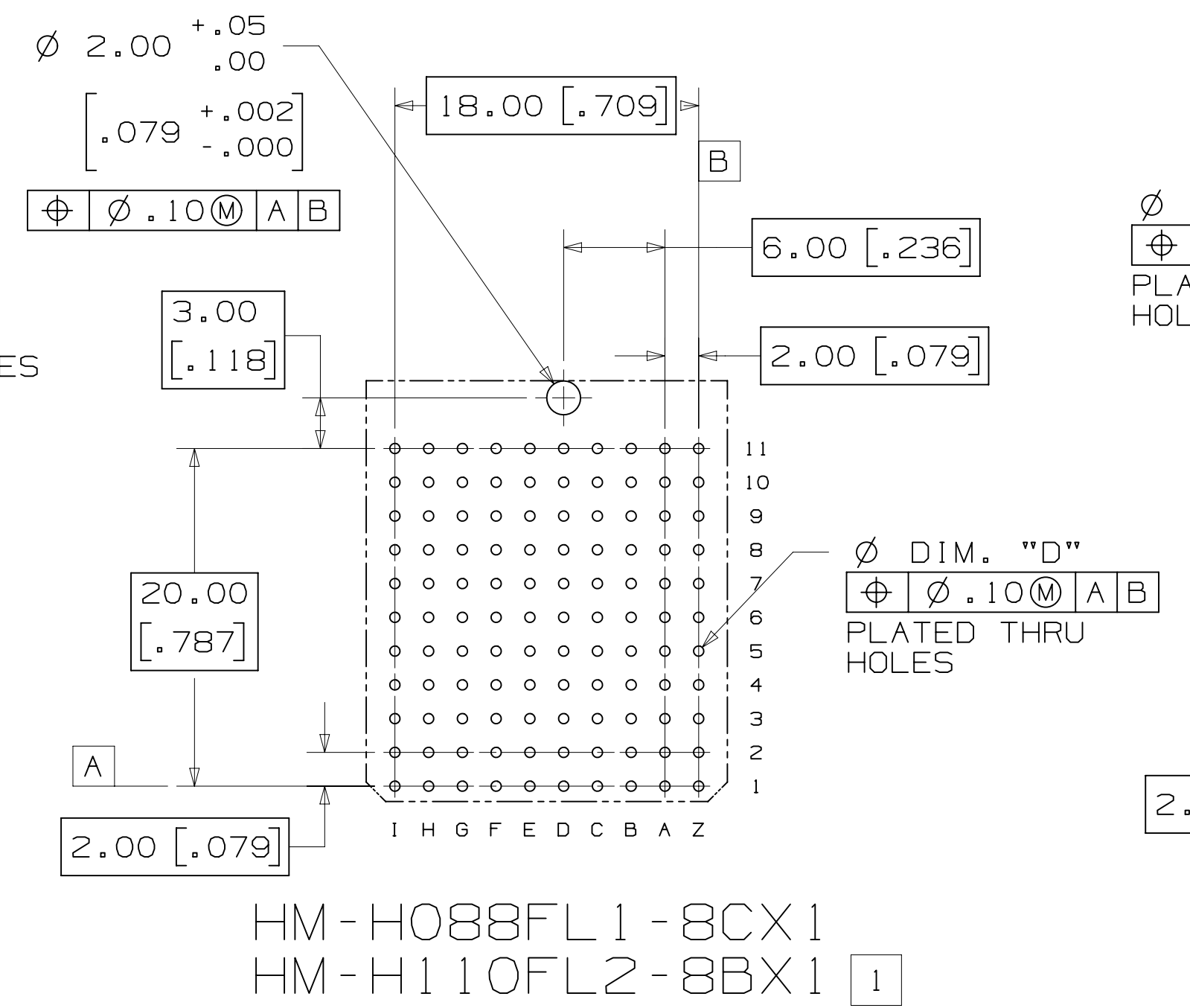
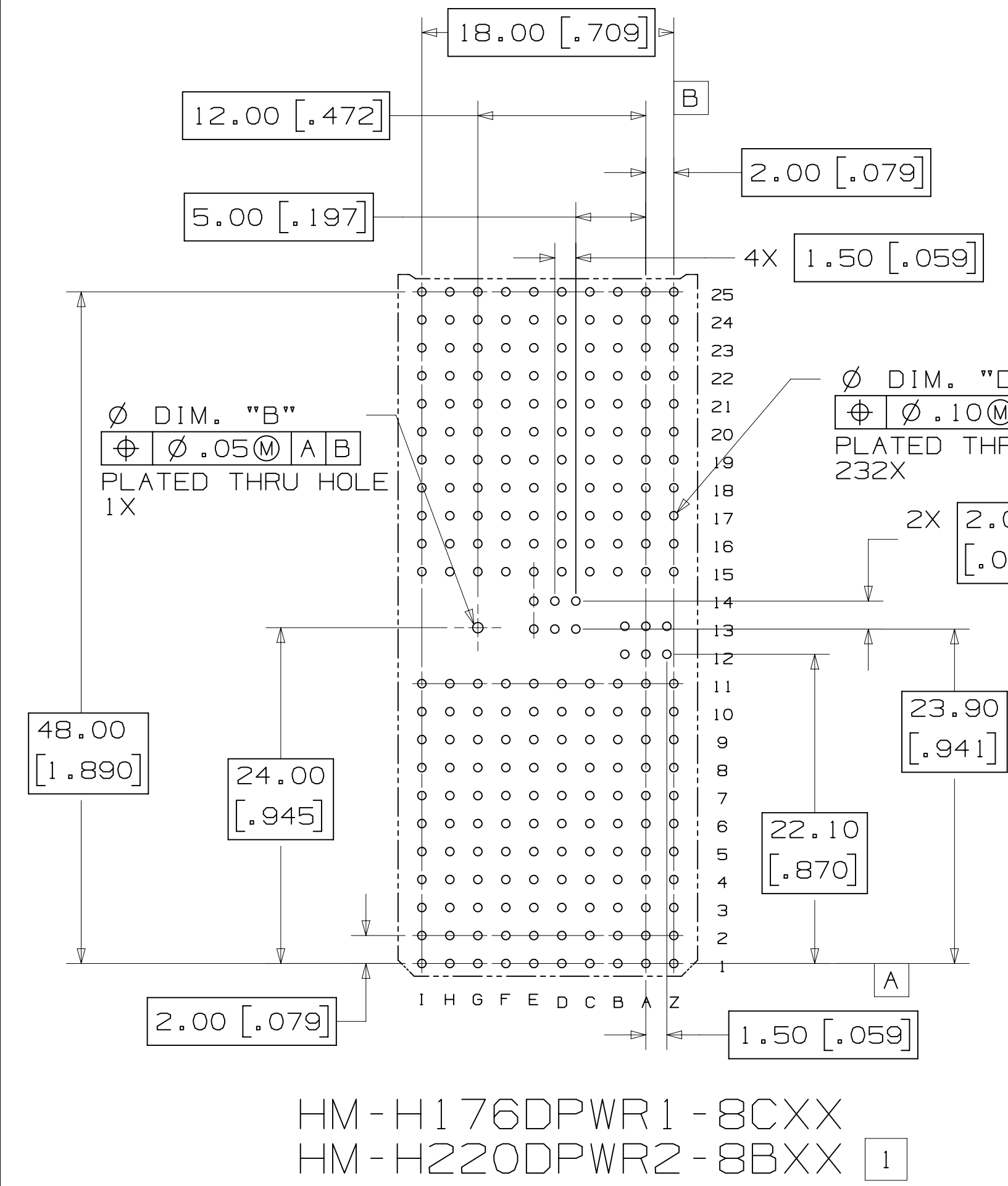
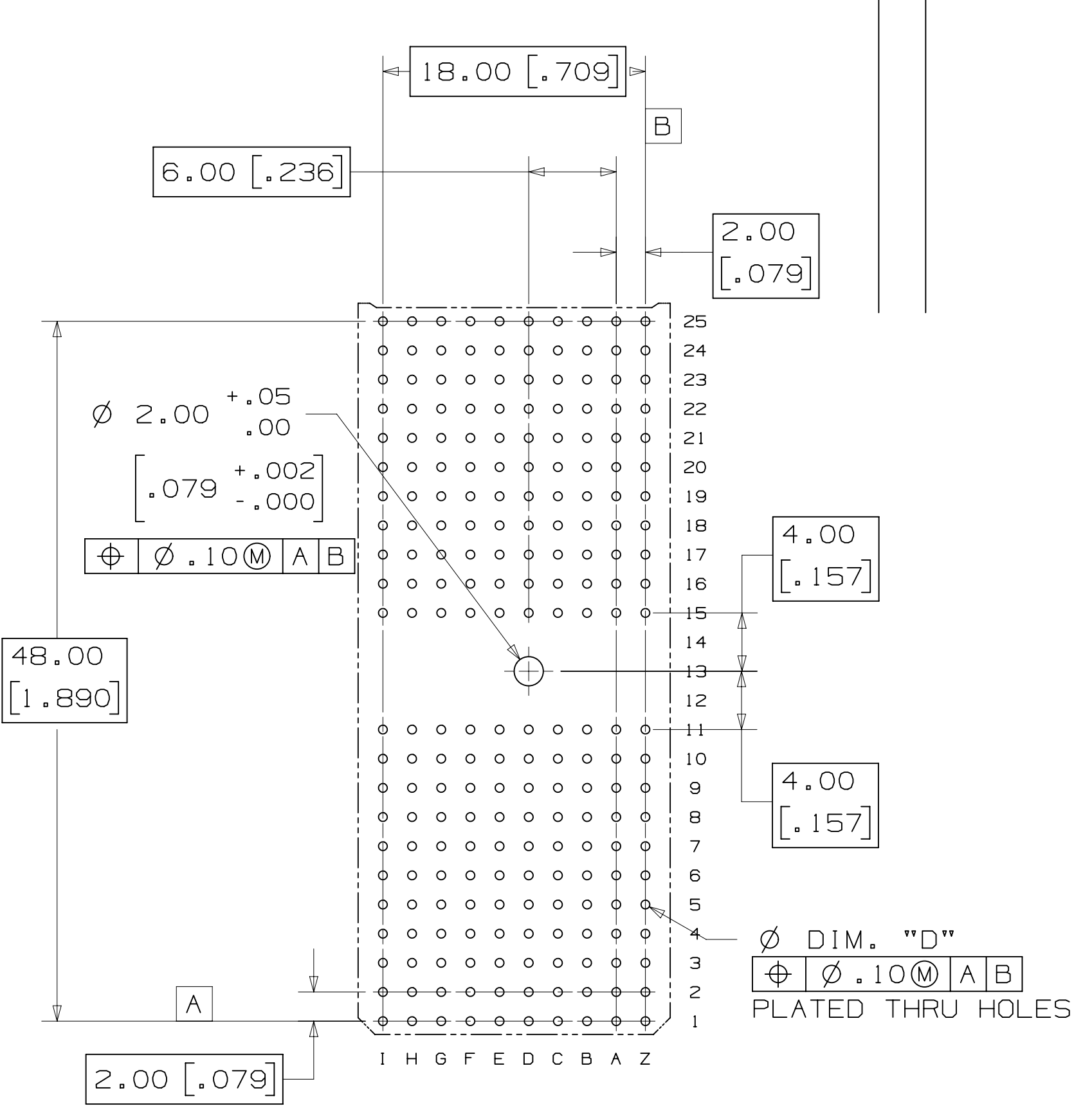
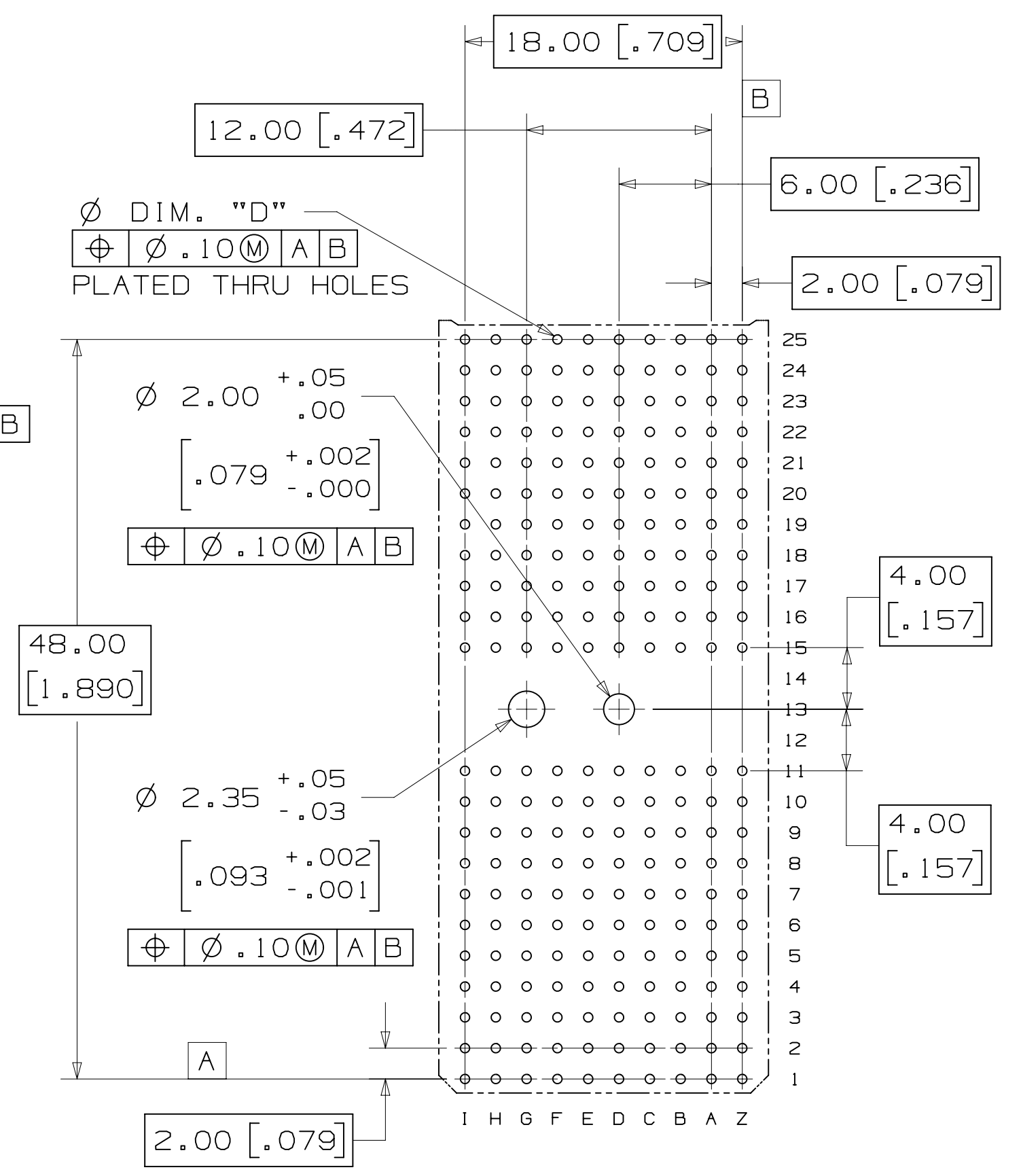
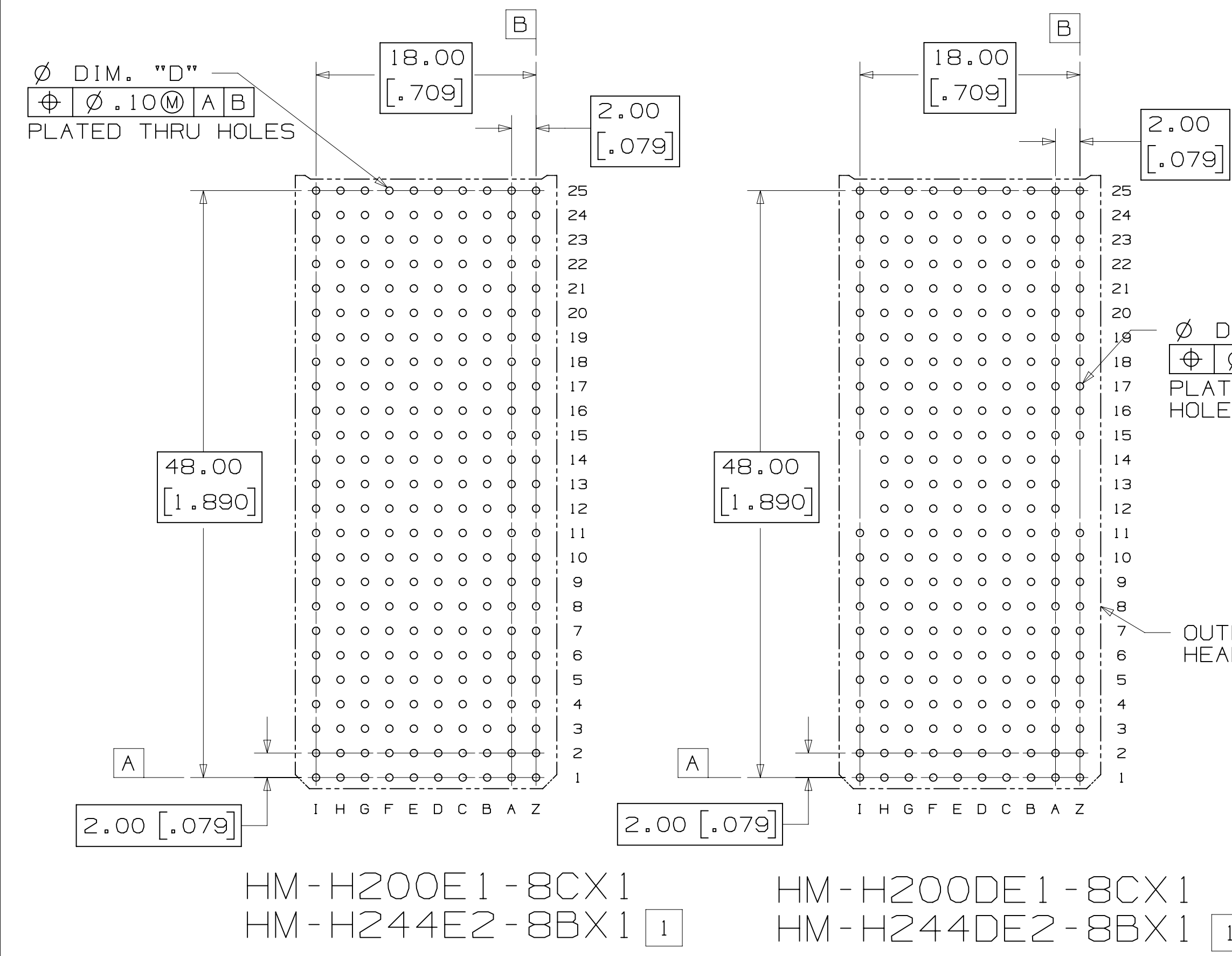
HM-H088FR1 - 8CX1
HM-H110FR2 - 8BXX

DESIGN REFERENCE		NEXT ASSEMBLY		REV	ECO	ISSUE DATE AND DESCRIPTION		DRFT	CHKD
DIVISION		DIVISION CODE		DATE	DATE		DATE		DATE
Interconnect Solutions		ISD		CHKD	DATE	DATE	DATE	DATE	DATE
DO NOT SCALE DRAWING		SCALE 3/1		TOLERANCES EXCEPT AS NOTED					
THIRD ANGLE PROJECTION		INTERPRET PER ASME Y14.5 - 1994		INCHES .00 ± .01, .000 ± .005, .0000 ±		© 3M COPYRIGHT 2012 This document and the information it contains are 3M property and may not be reproduced or further distributed without 3M permission, or used or disclosed other than for 3M authorized purposes. All rights reserved.			
MAX SURFACE ROUGHNESS		SURFACES		MILLIMETERS 0 ± .3, .00 ± .13		TITLE HM PRESS-FIT HEADER, 8-ROW, HM SERIES			
MARKED ONLY		ANGLES		CAGE NUMBER		DRAWING NO.		REV.	
				D 78-5100-2517-0		A		SHT 3 OF 4	

3M™ HM PRESS-FIT HEADER, 8-ROW, HM SERIES
FOR HARD METRIC APPLICATIONS

HOLE	HOLE PLATING TABLE			
	(FINISHED HOLE)	Cu THICKNESS	SnPb THICKNESS	DRILLED HOLE DIA.
DIM. "B"	.690-.790 [.0270-.0310]	.025-.045 [.0010-.0018]	.008-.018 [.0003-.0007]	.810-.860 [.0320-.0340]
DIM. "D"	.550-.650 [.0217-.0256]	.025-.045 [.0010-.0018]	.008-.018 [.0003-.0007]	.686-.727 [.0270-.0286]

1] ROW 1 AND Z HOLES ARE ONLY USED FOR HM-HXXXX2-8BX1 STYLE HEADER.



RECOMMENDED PCB MOUNTING HOLE PATTERN
(VIEWED FROM COMPONENT SIDE)

DESIGN REFERENCE	NEXT ASSEMBLY	REV	ECO	ISSUE DATE AND DESCRIPTION	DRFT	CHKD
		A	39815	MAR 28, 2012	JNC	TS
				PRODUCTION RELEASE		
DESIGNER		DATE		MFG DATE		DATE
CASTIGLIONE		MAR 28, 2012				MAR 28, 2012
CHKD		DATE		APPR		DATE
				T. SUNIGA		MAR 28, 2012
DIVISION		DIVISION CODE		DATE		
Interconnect Solutions		ISD				
DO NOT SCALE DRAWING		SCALE		TOLERANCES EXCEPT AS NOTED		
		3/1		INCHES		
				.00 ± .01		
				.000 ± .005		
				.0000 ±		
THIRD ANGLE PROJECTION				MILLIMETERS		
INTERPRET PER ASME Y14.5 - 1994				0		
				.0 ± .3		
MAX SURFACE ROUGHNESS				.00 ± .13		
SURFACES				.000 ±		
MARKED ONLY				ANGLES		
				CAGE NUMBER		
				D 78-5100-2517-0		
				REV. A		
				SHT 4 OF 4		

78-5100-2517-0
DRAWING NUMBER

REVISION

78-5100-2517-0
DRAWING NUMBER

REVISION