



Chipsmall Limited consists of a professional team with an average of over 10 year of expertise in the distribution of electronic components. Based in Hongkong, we have already established firm and mutual-benefit business relationships with customers from,Europe,America and south Asia,supplying obsolete and hard-to-find components to meet their specific needs.

With the principle of “Quality Parts,Customers Priority,Honest Operation,and Considerate Service”,our business mainly focus on the distribution of electronic components. Line cards we deal with include Microchip,ALPS,ROHM,Xilinx,Pulse,ON,Everlight and Freescale. Main products comprise IC,Modules,Potentiometer,IC Socket,Relay,Connector.Our parts cover such applications as commercial,industrial, and automotives areas.

We are looking forward to setting up business relationship with you and hope to provide you with the best service and solution. Let us make a better world for our industry!



Contact us

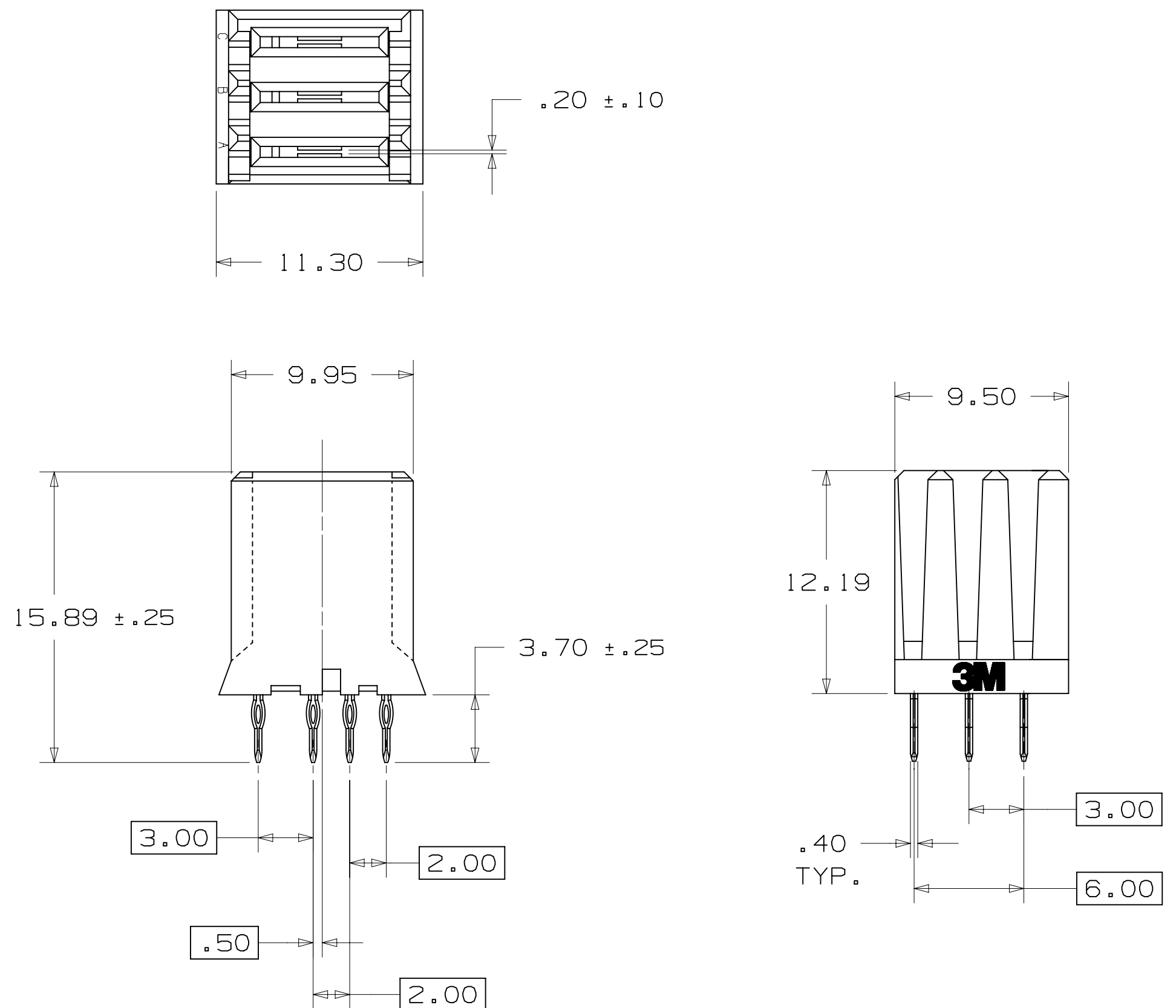
Tel: +86-755-8981 8866 Fax: +86-755-8427 6832

Email & Skype: info@chipsmall.com Web: www.chipsmall.com

Address: A1208, Overseas Decoration Building, #122 Zhenhua RD., Futian, Shenzhen, China

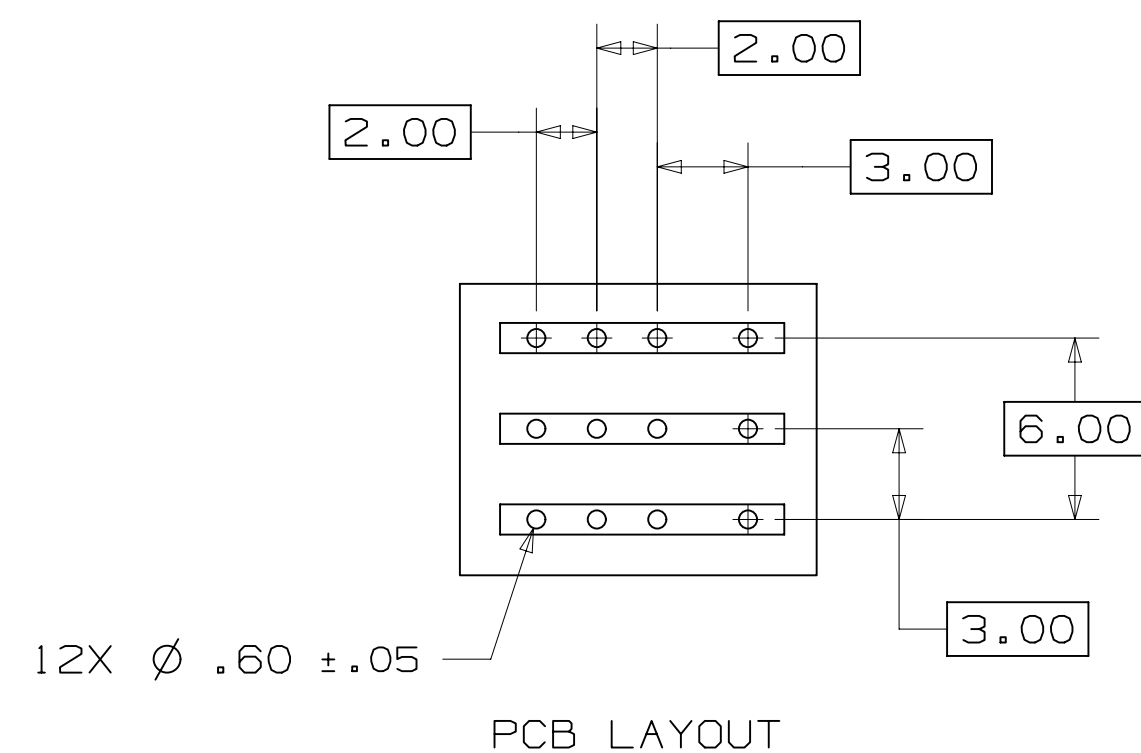


3MTH POWER BACKPLANE FEMALE SOCKET MODULE FOR HARD METRIC APPLICATIONS



3MTM ELECTRONIC SOLUTIONS DIVISION
 INTERCONNECT SOLUTIONS
<http://www.3mconnectors.com>

3M IS A TRADEMARK OF 3M COMPANY.
 FOR TECHNICAL, SALES OR ORDERING
 INFORMATION CALL 800-225-5373



- NOTES
- MATERIAL:
 INSULATOR: GLASS FILLED THERMOPLASTIC (PBT) UL94V-0
 CONTACTS: COPPER ALLOY.
 - PLATING -LR:
 CONTACT AREA: .08µm MIN Au OVER
 .69µm MIN PdNi
 TAIL AREA: 2.54µm MAX MATTE Sn
 UNDERCOAT: 1.27µm MIN Ni.
 - REGULATORY INFORMATION:
 ROHS COMPLIANT. SEE THE REGULATORY INFORMATION APPENDIX (RIA) IN THE "ROHS COMPLIANCE" SECTION OF WWW.3MCONNECTORS.COM FOR COMPLIANCE INFORMATION (RIA E1 & C1 APPLY)
 - ELECTRICAL PERFORMANCE:
 TEMPERATURE RANGE: -55° C TO +125° C
 VOLTAGE: 1000 VAC rms
 CURRENT RATING: ALL LINES DRIVERS
 9.0 AMPS @ 20° C
 7.0 AMPS @ 70° C
 4.5 AMPS @ 100° C
 - IN THE EVENT OF CONFLICT BETWEEN THIS DATA AND THAT CONTAINED IN THE PRODUCT SPECIFICATION, THE PRODUCT SPECIFICATION TAKES PRECEDENT.
 - PART NUMBER: HM-PWR-SCK-01-LR.
 - FOR MATING PRODUCT USE:
 HM-PWR-HDR-XX-XX POWER RIGHT ANGLE HEADER CONNECTOR.
 - PCB THICKNESS: 1.40mm MINIMUM.

D	40633	MAY 11, 2012	JNC	TS
		REVISE NOTE 4 AND REDRAWN		
C	36370	SEP 16, 2011	ML	TS
		REF ECO FOR REV CHANGES		
REV	ECO	ISSUE DATE AND DESCRIPTION	DRFT	CHKD
DRFT	ML	DATE JAN 17, 2011	MFG	DATE
CHKD		DATE	APPVL	DATE JAN 17, 2011
DIVISION		DIVISION CODE		
Interconnect Solutions		ISD		
DO NOT SCALE DRAWING		TOLERANCES EXCEPT AS NOTED		
THIRD ANGLE PROJECTION		INCHES		
INTERPRET PER ASME Y14.5 - 1994		MILLIMETERS		
MAX SURFACE ROUGHNESS		.0 ± .30		
□ ALL SURFACES		.00 ± .20		
□ MARKED ONLY		.000 ± .10		
		ANGLES		
TITLE		HM-PWR-SCK-01-XX, POWER BACKPLANE FEMALE SOCKET MODULE		
CAGE NUMBER	SIZE	DRAWING NO.	REV.	
	C	78-5100-2382-9	D	
MODEL		DET. LISTS <input type="checkbox"/> YES <input checked="" type="checkbox"/> NO SHT 1 OF 1		

78-5100-2382-9
DRAWING NUMBER