



Chipsmall Limited consists of a professional team with an average of over 10 year of expertise in the distribution of electronic components. Based in Hongkong, we have already established firm and mutual-benefit business relationships with customers from,Europe,America and south Asia,supplying obsolete and hard-to-find components to meet their specific needs.

With the principle of "Quality Parts,Customers Priority,Honest Operation,and Considerate Service",our business mainly focus on the distribution of electronic components. Line cards we deal with include Microchip,ALPS,ROHM,Xilinx,Pulse,ON,Everlight and Freescale. Main products comprise IC,Modules,Potentiometer,IC Socket,Relay,Connector.Our parts cover such applications as commercial,industrial, and automotives areas.

We are looking forward to setting up business relationship with you and hope to provide you with the best service and solution. Let us make a better world for our industry!



## Contact us

Tel: +86-755-8981 8866 Fax: +86-755-8427 6832

Email & Skype: info@chipsmall.com Web: www.chipsmall.com

Address: A1208, Overseas Decoration Building, #122 Zhenhua RD., Futian, Shenzhen, China

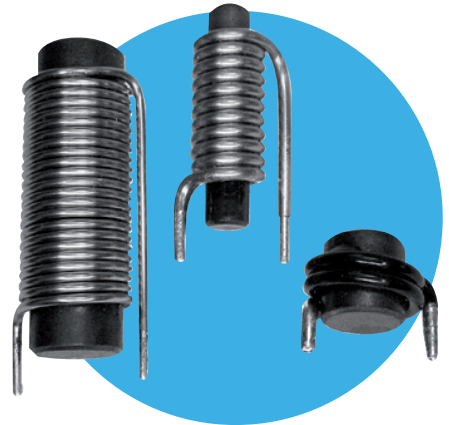


## Vertical Mount Inductors

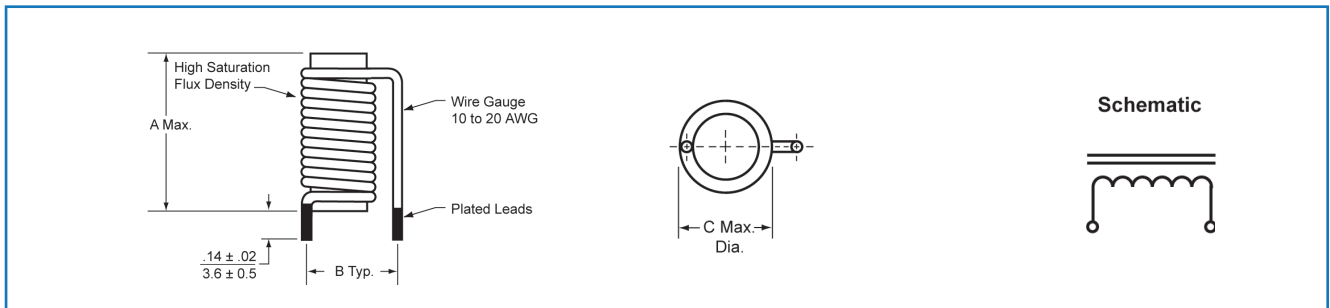
### Model HM11

#### Electrical / Environmental

- Operating Temperature Range -40°C to +105°C
- Temperature Rise, Maximum 45°C
- RoHS Compliant



### Outline Dimensions (Inch / mm) / Schematic



### Specifications / Packaging

Part number	Core Size	Wire Gauge AWG mm <sup>(1)</sup>	Inductance $\mu\text{H}$ @ 10 kHz $\pm 25\%$	DCR Max. m $\Omega$	$I_{\text{SAT}}$ DC Amps Approx.	Max. Current DC Amps		Mechanical Outline Dimensions: Inches (mm)			Carton Box Quantity (Units)
						at 35°C Rise	at 45°C Rise	A	B	C	
HM11-11001LF	10 X 40	10 (2.59)	4.46	2.0	48	23.5	26.5	1.65 (42)	.75 (19.0)	.63 (16.0)	250
HM11-11302LF	10 X 35	13 (1.83)	7.20	4.5	36	13.0	15.0	1.46 (37)	.65 (16.5)	.57 (14.5)	300
HM11-11503LF	10 X 35	15 (1.45)	11.00	8.1	28	10.5	12.0	1.46 (37)	.60 (15.2)	.54 (13.7)	300
HM11-11804LF	10 X 35	18 (1.02)	21.00	21.4	20	7.0	8.0	1.46 (37)	.55 (14.0)	.50 (12.8)	300
HM11-12005LF	10 X 35	20 (0.81)	34.00	43.0	16	5.5	6.5	1.46 (37)	.55 (14.0)	.49 (12.4)	300
HM11-21001LF	10 X 25	10 (2.59)	1.40	1.2	85	25.0	28.0	1.06 (27)	.75 (19.0)	.63 (16.0)	300
HM11-21302LF	10 X 25	13 (1.83)	3.30	3.4	60	14.0	16.0	1.06 (27)	.65 (16.5)	.57 (14.5)	300
HM11-21503LF	10 X 25	15 (1.45)	5.00	5.8	46	11.5	13.5	1.06 (27)	.60 (15.2)	.54 (13.7)	300
HM11-21804LF	10 X 25	18 (1.02)	9.30	15.0	30	8.0	9.0	1.06 (27)	.55 (14.0)	.50 (12.8)	300
HM11-22005LF	10 X 25	20 (0.81)	16.20	30.6	22	5.0	5.5	1.06 (27)	.55 (14.0)	.49 (12.4)	1000
HM11-31001LF	8 X 25	10 (2.59)	1.20	1.2	72	28.0	31.0	1.06 (27)	.65 (16.5)	.55 (14.0)	300
HM11-31302LF	8 X 25	13 (1.83)	2.70	2.7	45	14.5	17.0	1.06 (27)	.55 (14.0)	.49 (12.5)	400
HM11-31503LF	8 X 25	15 (1.45)	4.20	4.9	35	11.5	13.5	1.06 (27)	.55 (14.0)	.46 (11.7)	1000
HM11-31804LF	8 X 25	18 (1.02)	7.20	11.6	26	8.0	9.0	1.06 (27)	.50 (12.7)	.43 (10.8)	1000
HM11-32005LF	8 X 25	20 (0.81)	12.00	22.8	22	5.5	6.5	1.06 (27)	.45 (11.4)	.41 (10.4)	1000
HM11-41301LF	6 X 16	13 (1.83)	0.66	1.4	65	13.0	15.0	.71 (18)	.50 (12.7)	.41 (10.5)	660
HM11-41502LF	6 X 16	15 (1.45)	1.00	2.3	50	10.0	12.0	.71 (18)	.45 (11.4)	.38 (9.7)	660
HM11-41803LF	6 X 16	18 (1.02)	2.20	6.1	32	8.0	9.0	.71 (18)	.40 (10.2)	.35 (8.8)	660
HM11-42004LF	6 X 16	20 (.81)	3.30	10.87	23	7.5	8.5	.71 (18)	.40 (10.2)	.33 (8.4)	1,210
HM11-51301LF	5 X 25	13 (1.83)	2.00	1.9	25	17.0	19.5	1.06 (27)	.45 (11.4)	.37 (9.5)	1000
HM11-51502LF	5 X 25	15 (1.45)	2.60	3.2	20	14.5	16.5	1.06 (27)	.45 (11.4)	.34 (8.7)	1000
HM11-51803LF	5 X 25	18 (1.02)	5.50	8.4	14	9.0	10.0	1.06 (27)	.35 (8.9)	.31 (7.8)	1000
HM11-52004LF	5 X 25	20 (0.81)	8.80	16.5	10	6.5	7.0	1.06 (27)	.35 (8.9)	.29 (7.4)	1000
HM11-61301LF	4 X 16	13 (1.83)	0.37	0.9	53	18.0	20.0	.71 (18)	.40 (10.2)	.33 (8.5)	1,210
HM11-61502LF	4 X 16	15 (1.45)	0.68	1.7	38	15.5	17.5	.71 (18)	.40 (10.2)	.30 (7.7)	1,210
HM11-61803LF	4 X 16	18 (1.02)	1.15	3.7	28	10.5	12.0	.71 (18)	.35 (8.9)	.27 (6.8)	450
HM11-62004LF	4 X 16	20 (0.81)	1.80	6.9	20	8.5	9.5	.71 (18)	.30 (7.6)	.25 (6.4)	450
HM11-71001LF	9 X 9	13.5 (1.72)	0.19 $\pm$ 15%	0.76	-	33.0	37.0	.37 (9.5)	.52 (13.2)	.51 (13)	500

Notes: (1) Nominal bare wire diameter. (2) Electrical specifications at 25°C.

#### General Note

TT Electronics reserves the right to make changes in product specification without notice or liability. All information is subject to TT Electronics' own data and is considered accurate at time of going to print.