



Chipsmall Limited consists of a professional team with an average of over 10 year of expertise in the distribution of electronic components. Based in Hongkong, we have already established firm and mutual-benefit business relationships with customers from,Europe,America and south Asia,supplying obsolete and hard-to-find components to meet their specific needs.

With the principle of “Quality Parts,Customers Priority,Honest Operation,and Considerate Service”,our business mainly focus on the distribution of electronic components. Line cards we deal with include Microchip,ALPS,ROHM,Xilinx,Pulse,ON,Everlight and Freescale. Main products comprise IC,Modules,Potentiometer,IC Socket,Relay,Connector.Our parts cover such applications as commercial,industrial, and automotives areas.

We are looking forward to setting up business relationship with you and hope to provide you with the best service and solution. Let us make a better world for our industry!



## Contact us

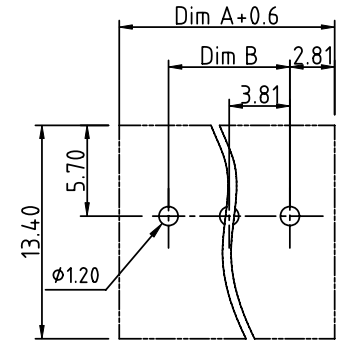
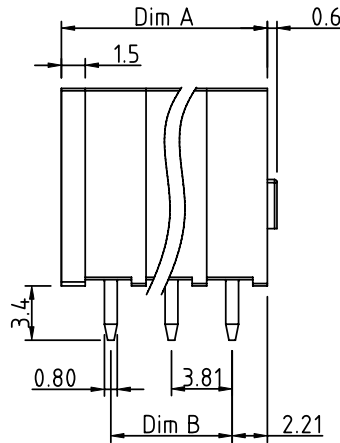
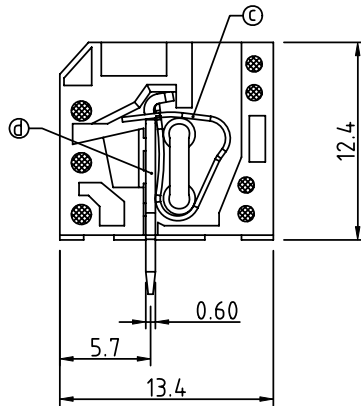
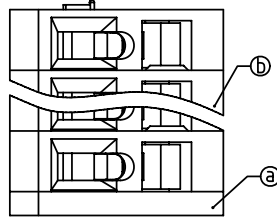
Tel: +86-755-8981 8866 Fax: +86-755-8427 6832

Email & Skype: info@chipsmall.com Web: www.chipsmall.com

Address: A1208, Overseas Decoration Building, #122 Zhenhua RD., Futian, Shenzhen, China



PRODUCT NUMBER	PITCH
HMxx30x000J0G	3.81mm



RECOMMENDED P.C.B LAYOUT  
TOP VIEW

Material:

- Itemⓐ Insulator(Cover): Thermoplastic (UL94V-0)
- Itemⓑ Insulator(housing): Thermoplastic (UL94V-0)
- Itemⓒ Spring clamp: Stainless steel
- Itemⓓ Terminal Body(Solder pin): Brass tin plated

Electrical:

- Voltage rating: 300V
- Current rating: 8A
- Wire range:
- Solid wire(AWG): 14-28
- Stranded wire(AWG): 14-28
- Wire strip length: 5-6mm
- Withstanding Voltage: 1.6KV
- Operating temperature: -40°C to +115°C
- Soldering temperature: 260°C±5°C/5 Sec

N=Number of poles  
Dim A=Nx3.81+1.5  
Dim B=(N-1)x3.81

Poles	Dim A	Dim B
1p	±0.10	
2-6p	±0.15	±0.15
7-12p	±0.20	±0.20
13-18p	±0.30	±0.25
19-24p	±0.40	±0.30

PART NO.: HM xx 30 x 000J0 G

	No. of poles	Color	RoHS compliant
	0	Black (RAL9005)	(lead<4%)
	2	Red (RAL3001/D)	In copper Alloy
01	1 poles	3 Orange(RAL2011/P)	
02	2 poles	4 Yellow(RAL1018/A)	
...	...	5 Green(RAL6018/T)	
24	24 poles	6 Blue (RAL5015/A)	
		8 Grey(RAL7004/P)	
		9 White(RAL1102)	
		C Multiple colors	

mat'l. code		surface ASME Y14.5	tolerance ASME Y14.5	projection	product family TERMINAL BLOCK				
ltr	ecn no	dr	date	 MM	title TERMINAL BLOCK SPRING CLAMP,90D WIRE INLET,DIP SOLDER				
		angles	<table border="1"> <tr><td>0</td><td>X.±0.5</td></tr> <tr><td>1</td><td>X.X±0.3</td></tr> <tr><td>2</td><td>X.XX±0.1</td></tr> </table>			0	X.±0.5	1	X.X±0.3
0	X.±0.5								
1	X.X±0.3								
2	X.XX±0.1								
				scale	dwg no HMxx30x000J0G				
					sheet 1 of 1				
					size A4				
					type CUSTOMER Drawing				
sheet index	revision	A							
	sheet	1							