



Chipsmall Limited consists of a professional team with an average of over 10 year of expertise in the distribution of electronic components. Based in Hongkong, we have already established firm and mutual-benefit business relationships with customers from,Europe,America and south Asia,supplying obsolete and hard-to-find components to meet their specific needs.

With the principle of “Quality Parts,Customers Priority,Honest Operation,and Considerate Service”,our business mainly focus on the distribution of electronic components. Line cards we deal with include Microchip,ALPS,ROHM,Xilinx,Pulse,ON,Everlight and Freescale. Main products comprise IC,Modules,Potentiometer,IC Socket,Relay,Connector.Our parts cover such applications as commercial,industrial, and automotives areas.

We are looking forward to setting up business relationship with you and hope to provide you with the best service and solution. Let us make a better world for our industry!



Contact us

Tel: +86-755-8981 8866 Fax: +86-755-8427 6832

Email & Skype: info@chipsmall.com Web: www.chipsmall.com

Address: A1208, Overseas Decoration Building, #122 Zhenhua RD., Futian, Shenzhen, China



Electrical / Environmental

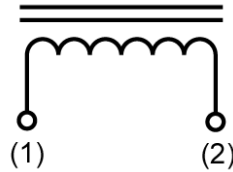
HM13

High Inductance High Frequency Toroidal Inductors

- Operating Temperature Range -40°C to +125°C
- Insulation Resistance, Minimum 100MΩ
- Insulation System Class B, 130°C
- Temperature Rise, Maximum 40°C



Schematic (Figure 1 & 2)

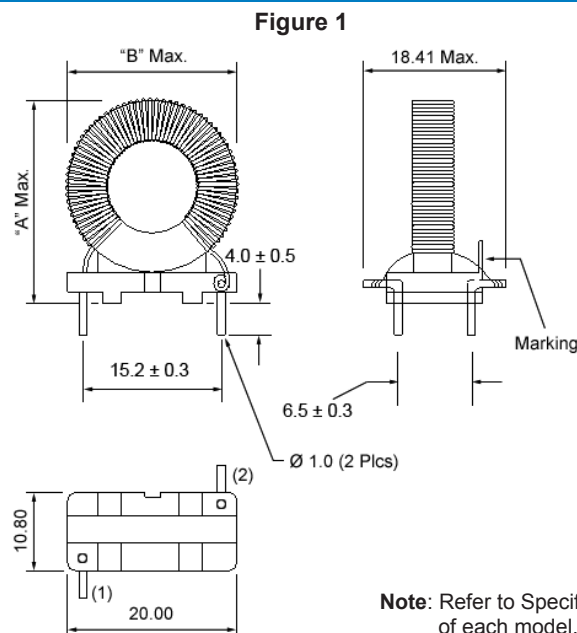


Specifications @ 25°C

Part Number	Inductance ⁽¹⁾ Typical μH	Current I _{DC} Amps Max.	DC Resistance Ω Max.	ET _{op} V-μSec	Energy Storage μJ Min.	Figure	Mechanical Outline Dim. A (mm)	Dim. B (mm)
HM13-05001LF	500	0.60	0.40	150	90	1	29.21	24.13
HM13-10001LF	1000	0.35	1.00	200	60	1	29.21	24.13
HM13-20001LF	2000	0.25	1.40	300	60	1	29.21	24.13
HM13-05002LF	500	1.75	0.35	400	765	2	35.56	30.48
HM13-10002LF	1000	1.00	0.75	500	500	2	35.56	30.48
HM13-20002LF	2000	0.65	1.70	700	470	2	35.56	30.48
HM13-05003LF	500	2.75	0.25	750	1890	2	43.18	36.83
HM13-10003LF	1000	2.00	0.55	900	2000	2	43.18	36.83
HM13-20003LF	2000	1.50	0.80	1200	2250	2	43.18	36.83

- Notes: (1) Inductance is measured at 100kHz, 0.1Vrms (@ DC current).
 (2) It is recommended that the temperature of the component (ambient plus temperature rise) does not exceed 125°C under worst case operating conditions.

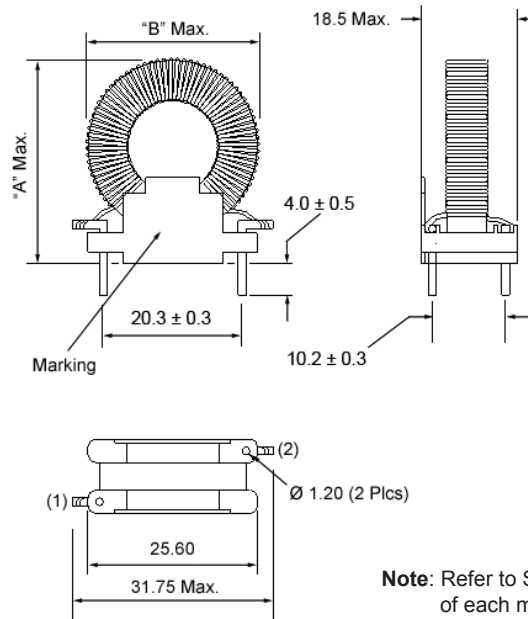
Outline Dimensions (mm)



Note: Refer to Specifications table for 'A' & 'B' dimensions of each model.

Outline Dimensions (mm) (Cont'd)

Figure 2



Note: Refer to Specifications table for 'A' & 'B' dimensions of each model.

Packaging

Standard: Paper Packaging

Case Size	Capacity Per Carton (Units)
1	400
2	268
3	168

Ordering Information

