



Chipsmall Limited consists of a professional team with an average of over 10 year of expertise in the distribution of electronic components. Based in Hongkong, we have already established firm and mutual-benefit business relationships with customers from,Europe,America and south Asia,supplying obsolete and hard-to-find components to meet their specific needs.

With the principle of “Quality Parts,Customers Priority,Honest Operation,and Considerate Service”,our business mainly focus on the distribution of electronic components. Line cards we deal with include Microchip,ALPS,ROHM,Xilinx,Pulse,ON,Everlight and Freescale. Main products comprise IC,Modules,Potentiometer,IC Socket,Relay,Connector.Our parts cover such applications as commercial,industrial, and automotives areas.

We are looking forward to setting up business relationship with you and hope to provide you with the best service and solution. Let us make a better world for our industry!



## Contact us

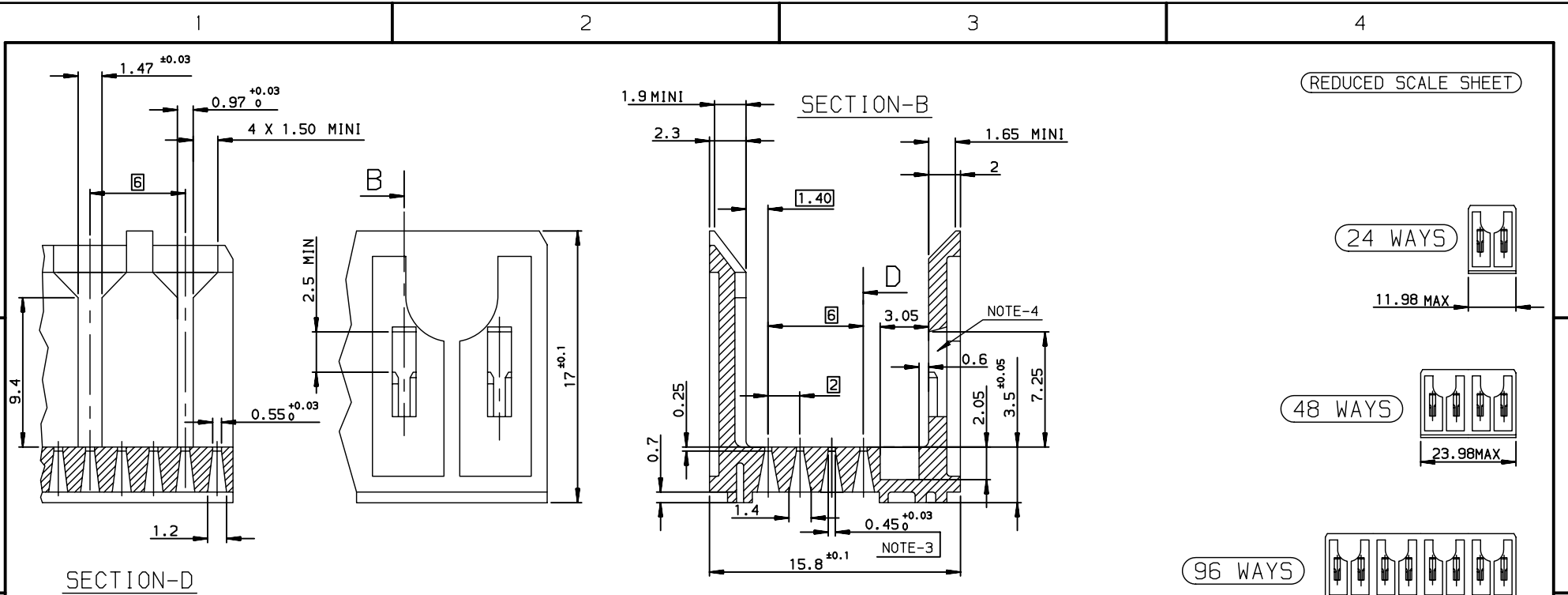
Tel: +86-755-8981 8866 Fax: +86-755-8427 6832

Email & Skype: info@chipsmall.com Web: www.chipsmall.com

Address: A1208, Overseas Decoration Building, #122 Zhenhua RD., Futian, Shenzhen, China



Copyright FCI, FCJ



REDUCED SCALE SHEET

NB OF WAY	PART NUMBERS	COMMENTS
24	HM13211LF OR 70203-111LF	RoHS COMPATIBLE VERSION
48	HM13212LF OR 70203-112LF	RoHS COMPATIBLE VERSION
96	HM13213LF OR 70203-113LF	RoHS COMPATIBLE VERSION
192	HM13214LF OR 70203-114LF	RoHS COMPATIBLE VERSION

NOTE-1: OTHER DIMENSIONS IN ACCORDANCE WITH IEC-48B-(S.296) SPECIFICATION  
 NOTE-2: MATERIAL LCP NATURAL COLOUR  
 NOTE-3: FORCE FIT CAVITIES FOR RETENTION WITH REAR PLUG-UP CONTACT PART  
 NOTE-4: CAVITY FOR LATCHING AND CODING

**NOTE: RoHS INFORMATIONS**  
 - The "LF" product meets European union Directives and other country regulations as described in 65-22-008.  
 - The product is not intended to be exposed to a manufacturing solder process.  
 - Packaging spec: see 65-14-920.

rev	ecn no	dr	date
M	-	TAR	2005/10/01
N	LS06-0114	LGO	2006/08/10
P	LS07-0249	LGO	2007/10/02
-	-	-	-
-	-	-	-
-	-	-	-

www.fciconnect.com		surface ISO 1302 ✓	tolerance std ISO 406 ISO 1101	projection mm
TOLERANCES UNLESS OTHERWISE SPECIFIED				
Dr	PERRICHOT	2002/08/22	ANGULAR	0.X ±0.1
Eng	PERRICHOT	2002/08/22	LINEAR	0.XX ±0.1
Chr	LEGARE	2002/08/22	0.XX' ±2'	0.XXX ±0.1
Appr	LEGARE	2002/08/22	Product family	METRAL
title <b>METRAL SHROUD 4 ROWS STANDARD</b>			size A3	Scale 4
catalog no			ECN LS07-0249	Spec ref -
title WIDE BODY STAND-OFF 3.5mm			dwg no 70203	Rev. P
CUSTOMER			sheet 1 of 1	

REV F - 2006-04-17