



Chipsmall Limited consists of a professional team with an average of over 10 year of expertise in the distribution of electronic components. Based in Hongkong, we have already established firm and mutual-benefit business relationships with customers from,Europe,America and south Asia,supplying obsolete and hard-to-find components to meet their specific needs.

With the principle of “Quality Parts,Customers Priority,Honest Operation,and Considerate Service”,our business mainly focus on the distribution of electronic components. Line cards we deal with include Microchip,ALPS,ROHM,Xilinx,Pulse,ON,Everlight and Freescale. Main products comprise IC,Modules,Potentiometer,IC Socket,Relay,Connector.Our parts cover such applications as commercial,industrial, and automotives areas.

We are looking forward to setting up business relationship with you and hope to provide you with the best service and solution. Let us make a better world for our industry!



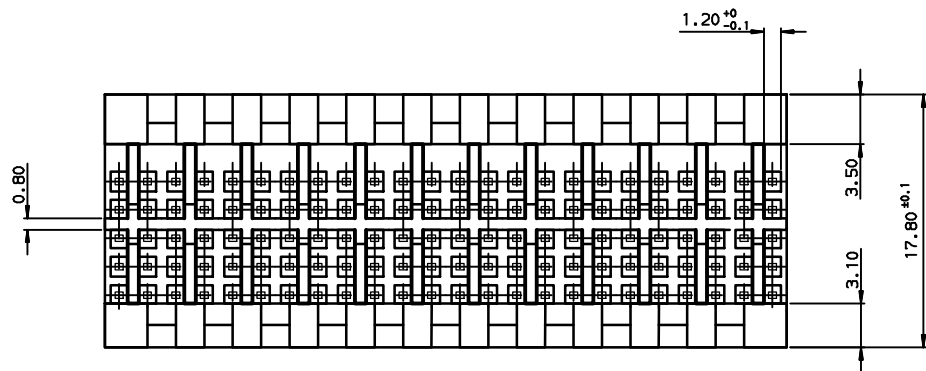
Contact us

Tel: +86-755-8981 8866 Fax: +86-755-8427 6832

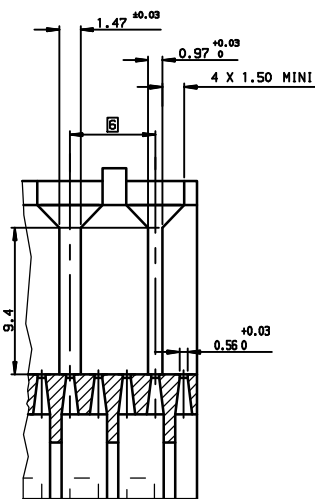
Email & Skype: info@chipsmall.com Web: www.chipsmall.com

Address: A1208, Overseas Decoration Building, #122 Zhenhua RD., Futian, Shenzhen, China

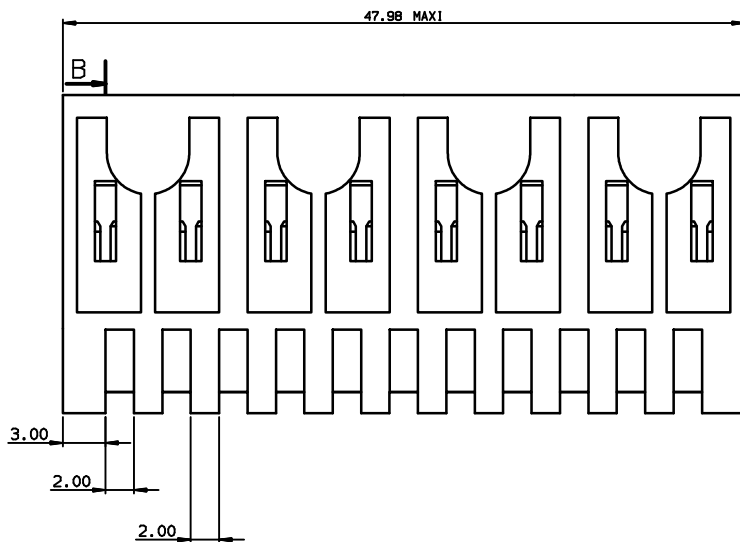




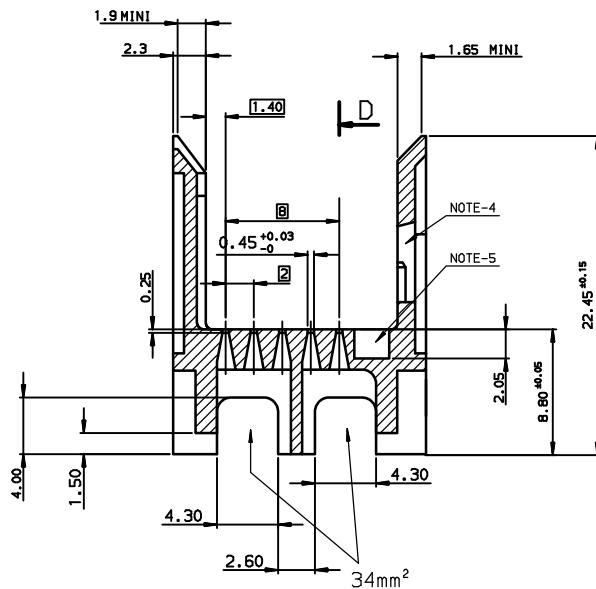
SECTION-D



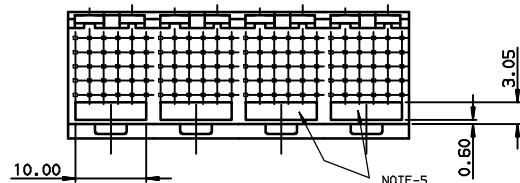
SECTION-B



REDUCED TOP VIEW



AREA IN CONTACT WITH PCB: 220mm²



NOTE: RoHS INFORMATIONS

- The "LF" product meets European union Directives and other country regulations as described in GS-22-008.
- The product is not intended to be exposed to a manufacturing solder process.
- Packaging spec: see GS-14-920.

- NOTE-1: OTHER DIMENSIONS IN ACCORDANCE WITH IEC-48B-(G.296) SPECIFICATION
- NOTE-2: MATERIAL HIGH TEMPERATURE NATURAL COLOUR
- NOTE-3: FORCE FIT CAVITIES FOR RETENTION WITH REAR PLUG-UP CONTACT PART
- NOTE-4: CAVITY FOR LATCHING AND CODING
- NOTE-5: POLARIZING CAVITIES

Part number: HM13238LF

www.fciconnect.com		surface 150 1302	tolerance std 150 406 150 1101	projection	mm
TOLERANCES UNLESS OTHERWISE SPECIFIED					
Dr	CHAILLEUX	2005/10/13	ANGULAR	0.x ±0.1	size A2
Eng	TARON	2005/10/13	LINEAR	0.xx ±0.1	Scale 4
Chr	LEGARE	2005/10/13	0.xx' ±2'	0.xxx ±0.1	ECN L506-0095
Appr	LEGARE	2005/10/13	Product Family	METRAL	Spec ref -
FCI		MILLIPACS-1 SHROUD 5 ROWS 120 WAYS		Rev. B	
title		SPECIFIC STAND-OFF 8.80mm		Part no C-8626-11297	sheet 1 of 1
catalog no				CUSTOMER	