



Chipsmall Limited consists of a professional team with an average of over 10 year of expertise in the distribution of electronic components. Based in Hongkong, we have already established firm and mutual-benefit business relationships with customers from,Europe,America and south Asia,supplying obsolete and hard-to-find components to meet their specific needs.

With the principle of “Quality Parts,Customers Priority,Honest Operation,and Considerate Service”,our business mainly focus on the distribution of electronic components. Line cards we deal with include Microchip,ALPS,ROHM,Xilinx,Pulse,ON,Everlight and Freescale. Main products comprise IC,Modules,Potentiometer,IC Socket,Relay,Connector.Our parts cover such applications as commercial,industrial, and automotives areas.

We are looking forward to setting up business relationship with you and hope to provide you with the best service and solution. Let us make a better world for our industry!



Contact us

Tel: +86-755-8981 8866 Fax: +86-755-8427 6832

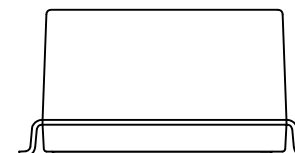
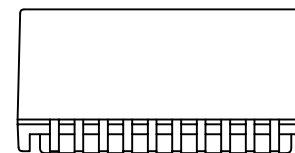
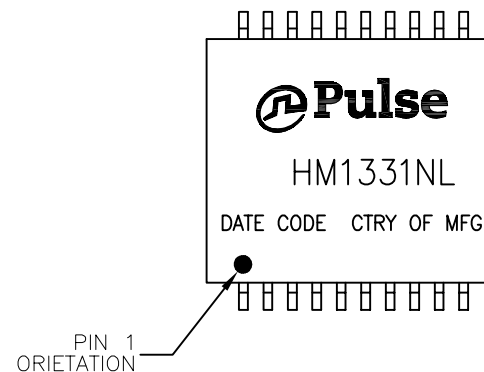
Email & Skype: info@chipsmall.com Web: www.chipsmall.com

Address: A1208, Overseas Decoration Building, #122 Zhenhua RD., Futian, Shenzhen, China



NOTES:

1. ROHS COMPLIANT
2. HEADER: DAP (DIALLYL PHTHALATE) WITH FLAMMABILITY RATING UL 94V-0 OR BETTER.
LEADS: UNDERPLATE: 30-50 uINCHES FOR NICKEL
PLATING: 200-500 uINCHES 100% TIN.
3. STORAGE TEMPERATURE: -50°C TO +125°C
4. COMPLIANCE TO J-STD:
 - A. J-STD-002: SOLDERABILITY AT 245°C REFLOW PROFILE
 - B. J-STD-020: LEVEL 1, NO MOISTURE SENSITIVE
 - C. J-STD-075: R7, 245°C MAXIMUM THROUGH REFLOW SOLDER
5. TO ORDER TAPE & REEL PACKAGING ADD A "T" SUFFIX TO THE PART NUMBER(i.e HM1331NL BECOMES HM1331NLT).



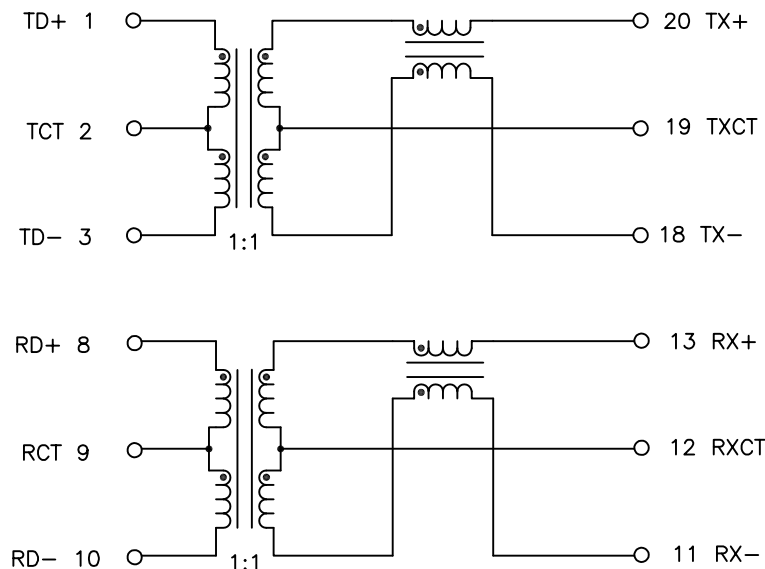
FINAL OUTLINE

© Copyright, 2017. Pulse Electronics Corp. All rights reserved. Pulse confidential & proprietary. (05/08/17)

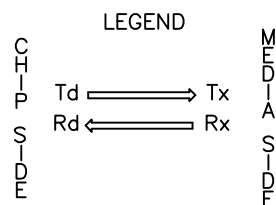
PRODUCT DESCRIPTION	TLA DRAWING	PS DRAWING	SHEET	PART NO.	DATASHEET REV.
MDL,SIN,100D,1:1,4KV,SM,TU	HM1331NL-10	PS-0020.001-C	1 OF 3	HM1331NL	D

ELECTRICAL CHARACTERISTICS AT +25°C UNLESS OTHER SPECIFIED

MEETS IEEE 802.3 SPECIFICATION



SCHEMATIC

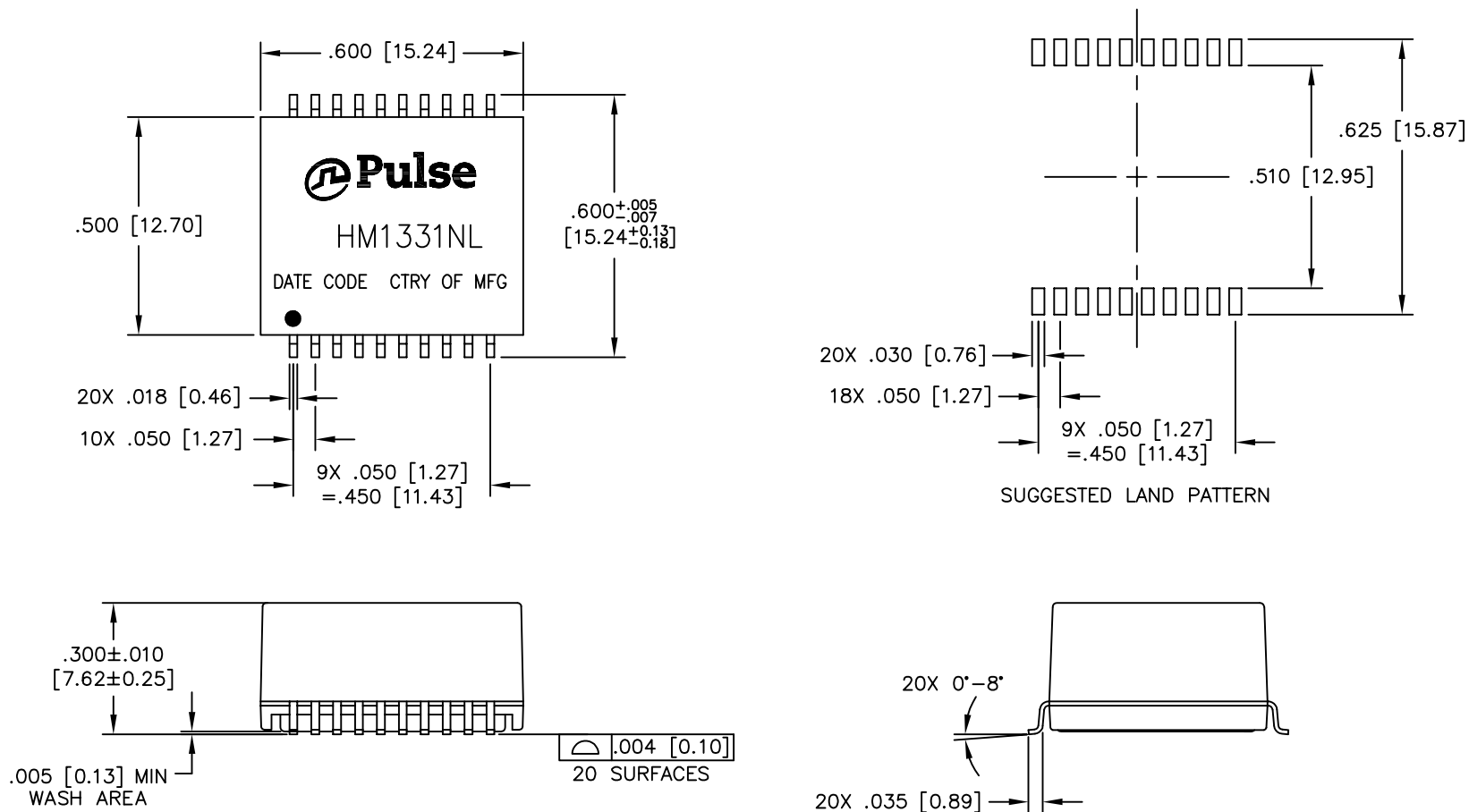


ALL CHANNELS ARE
IN-PHASE BETWEEN
INPUT AND OUTPUT

PARAMETER	SPECIFICATIONS							
OPERATION TEMP	-40°C TO +85°C							
TURNS RATIO	1 : 1 ±2%							
POLARITY	PER SCHEMATIC							
OCL, TRANSMIT CHANNEL -40 TO +85°C	350 uH MIN. AT 100KHz, 0.1VRMS WITH 8mA DC BIAS							
INSERTION LOSS	0.1-30 KHz	60 MHz	80 MHz	100 MHz				
	-1.0 dB MAX	-2.0 dB MAX	-2.5 dB MAX	-3.5 dB MAX				
RETURN LOSS (Z OUT = 100 OHM ±15%)	5 MHz	30 MHz	50 MHz	60 MHz	80 MHz	100 MHz		
	-18 dB MIN	-9 dB MIN	-6 dB MIN	-5 dB MIN	-3 dB MIN	-2 dB MIN		
CROSSTALK (TX-RX)	1 MHz		30 MHz		60 MHz		100 MHz	
	-45 dB MIN		-30 dB MIN		-27 dB MIN		-25 dB MIN	
DIFFERENTIAL TO COMMON MODE REJECTION	30 MHz		60 MHz		100 MHz		200 MHz	
	-36 dB MIN		-32 dB MIN		-30 dB MIN		-25 dB MIN	
INPUT - OUTPUT ISOLATION	4000 VRMS FOR 1 MINUTE							

© Copyright, 2017. Pulse Electronics Corp. All rights reserved. Pulse confidential & proprietary. (05/08/17)

PRODUCT DESCRIPTION	TLA DRAWING	PS DRAWING	SHEET	PART NO.	DATASHEET REV.
MDL,SIN,100D,1:1,4KV,SM,TU	HM1331NL-10	PS-0020.001-C	2 OF 3	HM1331NL	D



DIMENSIONS ARE IN INCHES [MILLIMETERS] WITH THE FOLLOWING TOLERANCES: [MILLIMETERS] ARE FOR REFERENCE ONLY.
 .XX= ± 0.01 [± 0.25]
 .XXX= ± 0.005 [± 0.13]

© Copyright, 2017. Pulse Electronics Corp. All rights reserved. Pulse confidential & proprietary. (05/08/17)

PRODUCT DESCRIPTION	TLA DRAWING	PS DRAWING	SHEET	PART NO.	DATASHEET REV.
MDL,SIN,100D,1:1,4KV,SM,TU	HM1331NL-10	PS-0020.001-C	3 OF 3	HM1331NL	D