



Chipsmall Limited consists of a professional team with an average of over 10 year of expertise in the distribution of electronic components. Based in Hongkong, we have already established firm and mutual-benefit business relationships with customers from,Europe,America and south Asia,supplying obsolete and hard-to-find components to meet their specific needs.

With the principle of “Quality Parts,Customers Priority,Honest Operation,and Considerate Service”,our business mainly focus on the distribution of electronic components. Line cards we deal with include Microchip,ALPS,ROHM,Xilinx,Pulse,ON,Everlight and Freescale. Main products comprise IC,Modules,Potentiometer,IC Socket,Relay,Connector.Our parts cover such applications as commercial,industrial, and automotives areas.

We are looking forward to setting up business relationship with you and hope to provide you with the best service and solution. Let us make a better world for our industry!



Contact us

Tel: +86-755-8981 8866 Fax: +86-755-8427 6832

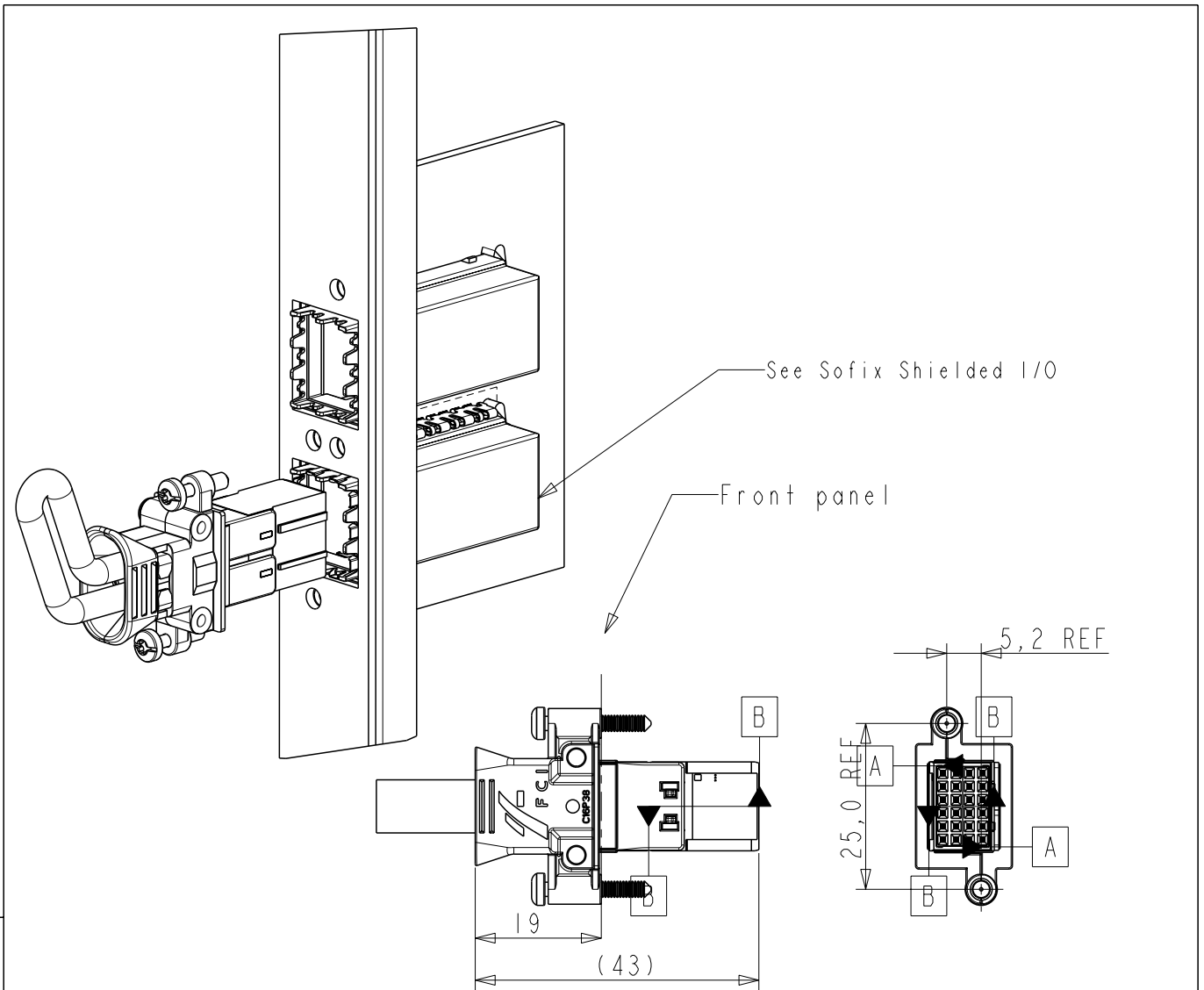
Email & Skype: info@chipsmall.com Web: www.chipsmall.com

Address: A1208, Overseas Decoration Building, #122 Zhenhua RD., Futian, Shenzhen, China





Copyright FCI.



MATERIAL

- 1 TERMINAL BLOCK.... 30% GLASS FILLED POLYESTER
- 2 SHROUD..... 30% GLASS FILLED POLYAMIDE
FLAME RETARDANT ACC. TO UL-94
- 3 COVER..... ZINC ALLOY
- 4 TERMINAL..... TINBRONZE
- 5 FERRULE..... TINBRONZE
- 6 SCREW..... STEEL
- 7 RIVET..... BRASS

PRODUCT SPECIFICATION: GS-12-308
 PACKAGING SPECIFICATION: EUR-14-008
 APPLICATION SPECIFICATION: GS-20-050

8-ROHS INFORMATIONS:

-This product meets European Union Directives and other country regulations as described in GS-22-008.

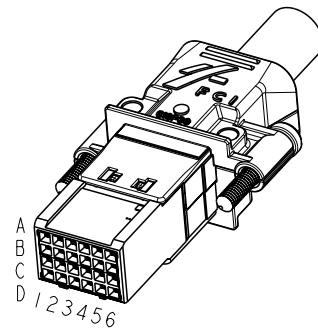
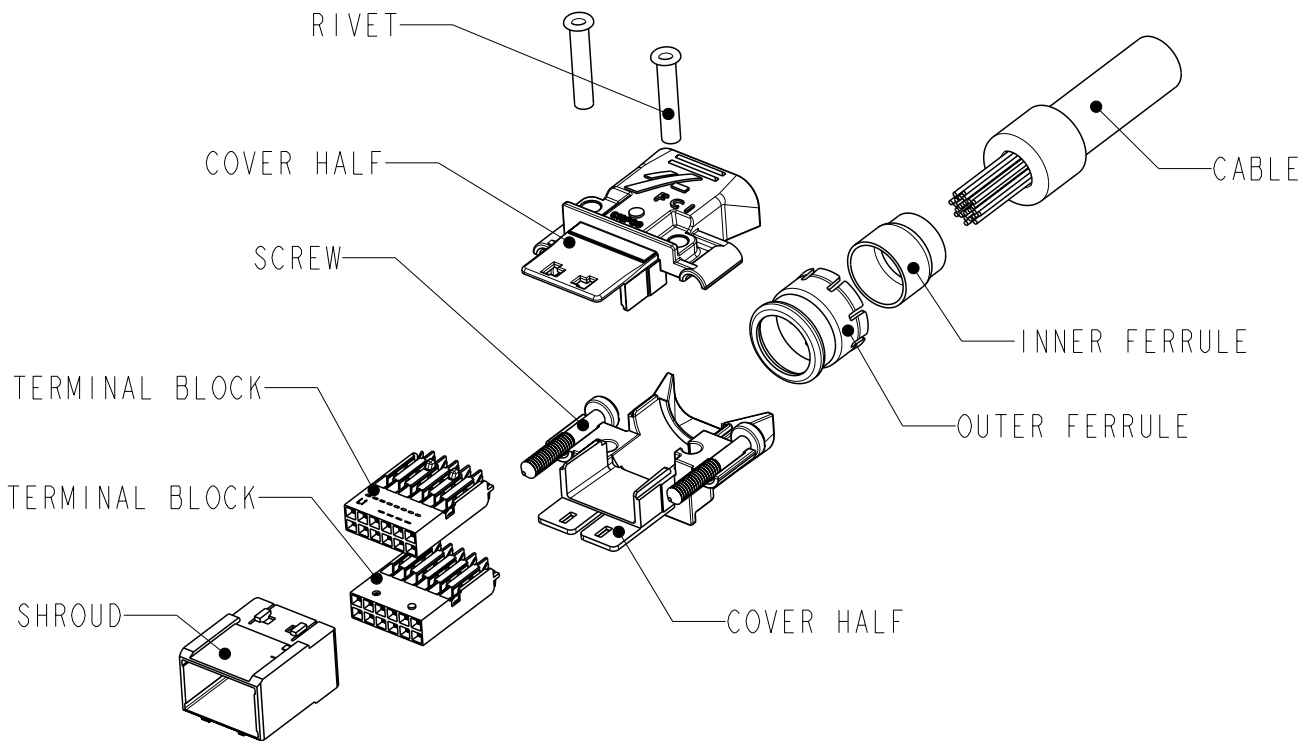
-Packaging spec: see GS-14-920.

rev	ecn no	dr	date
B	B20196	PC	2002/11/29
C	LS4129	JTA	2004/12/15
D	LS05-0015	JTA	2005/01/21
E	LS06-0143	LGO	2006/09/25
F	LS07-0255	JTA	2007/11/12
-	-	-	-
-	-	-	-



Performance level	
HMIC16D-J110EBLF	Customer Special
HMIC16D-J110N9LF	Standard Product

www.fciconnect.com		surface - ✓ ISO 1302	tolerance std ISO 406 ISO 1101	projection 	mm ↔
TOLERANCES UNLESS OTHERWISE SPECIFIED					
Dr	P. Claes	2002/11/29	ANGULAR	0.X	±0.3
Eng	P. Claes	2002/11/29	LINEAR	0.XX	±0.1
Chr	W. Panis	2002/11/29	0° ±2°	0.XXX	±0.05
Appr	W. Panis	2002/11/29	Product family	METRAL SOFIX	Spec ref RELEASED
	title SHIELDED CABLE CONNECTOR, 24 POS - IDC			dwg no	BSA202877001_C
catalog no		SEE TABLE		customer	sheet 1 of 3
REV F - 2006-04-17				Rev.	F



INNER FERRULES (to be ordered separately)	Approved cables	Maximum External Ø Cable
-	4 PAIRS, 26 AWG CONDUCTOR DIA: 0.4 mm	8.85
-	12 PAIRS, 26 AWG CONDUCTOR DIA: 0.4 mm	6.60
-	4 CONDUCTORS, 26 AWG CONDUCTOR DIA: 0.4 mm	5.60
-	4 PAIRS, 26 AWG CONDUCTOR DIA: 0.4 mm	4.9
-	4 PAIRS, 26 AWG CONDUCTOR DIA: 0.4 mm	7.85
-	12X2 PAIRS, 26 AWG CONDUCTOR DIA: 0.4 mm	
-	8 PAIRS, 26 AWG CONDUCTOR DIA: 0.4 mm	7.0



Copyright FCI.

www.fciconnect.com			surface - ✓ ISO 1302	tolerance std ISO 406 ISO 1101	projection 	mm 		
TOLERANCES UNLESS OTHERWISE SPECIFIED								
Dr	P. Claes	2002/11/29	ANGULAR	LINEAR	0.X	±0.3	size A4	Scale 1/1
Eng	P. Claes	2002/11/29			0.XX	±0.1		
Chr	W. Panis	2002/11/29	0° ±°		0.XXX	±0.05	ECN	LS07-0255
Appr	W. Panis	2002/11/29	Product family		METRAL SOFIX	Spec ref		RELEASED
	title SHIELDED CABLE CONNECTOR, 24 POS - IDC				dwg no	BSA202877001_C		Rev. F
catalog no				SEE TABLE		customer	sheet 2 of 3	

REV F - 2006-04-17

PDM: Rev:F

STATUS: Released


Printed: Aug 01, 2010

LEAD-FREE PRODUCTS: (see note 8)

Kit: HMIC16D-J110XXLF	
COMPONENTS	QTY
SHROUD	1
COVER HALF	1
COVER HALF	1
RIVET	2
SCREW	2
TERMINAL BLOCK LEFT	1
TERMINAL BLOCK RIGHT	1
OUTER FERRULE	1


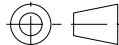
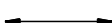



Dimension with oval around are critical dimensions including any attached geometrical tolerance. Other features or stand-alone geometrical tolerances being critical have a note "CRITICAL FEATURE" below the item

A symbol  (x: drawing current revision) will be next to any dimension, view or note which has been modified with the current drawing revision



Copyright FCI.

www.fciconnect.com			surface -  ISO 1302		tolerance std ISO 406 ISO 1101		projection 		mm 		
			TOLERANCES UNLESS OTHERWISE SPECIFIED								
Dr	P. Claes	2002/11/29	ANGULAR	LINEAR	0.X	±0.3	size A4	Scale 1/1			
Eng	P. Claes	2002/11/29			0.XX	±0.1					
Chr	W. Panis	2002/11/29	0°	±°	0.XXX	±0.05	ECN	LS07-0255			
Appr	W. Panis	2002/11/29	Product family			METRAL SOFIX	Spec ref	RELEASED			
		title SHIELDED CABLE CONNECTOR, 24 POS - IDC				dwg no BSA202877001_C			Rev. F		
catalog no				SEE TABLE			customer		sheet 3 of 3		

REV F - 2006-04-17

PDM: Rev:F

STATUS: Released

Printed: Aug 01, 2010