



Chipsmall Limited consists of a professional team with an average of over 10 year of expertise in the distribution of electronic components. Based in Hongkong, we have already established firm and mutual-benefit business relationships with customers from,Europe,America and south Asia,supplying obsolete and hard-to-find components to meet their specific needs.

With the principle of "Quality Parts,Customers Priority,Honest Operation,and Considerate Service",our business mainly focus on the distribution of electronic components. Line cards we deal with include Microchip,ALPS,ROHM,Xilinx,Pulse,ON,Everlight and Freescale. Main products comprise IC,Modules,Potentiometer,IC Socket,Relay,Connector.Our parts cover such applications as commercial,industrial, and automotives areas.

We are looking forward to setting up business relationship with you and hope to provide you with the best service and solution. Let us make a better world for our industry!



Contact us

Tel: +86-755-8981 8866 Fax: +86-755-8427 6832

Email & Skype: info@chipsmall.com Web: www.chipsmall.com

Address: A1208, Overseas Decoration Building, #122 Zhenhua RD., Futian, Shenzhen, China



1

2

3

4

A

A

B

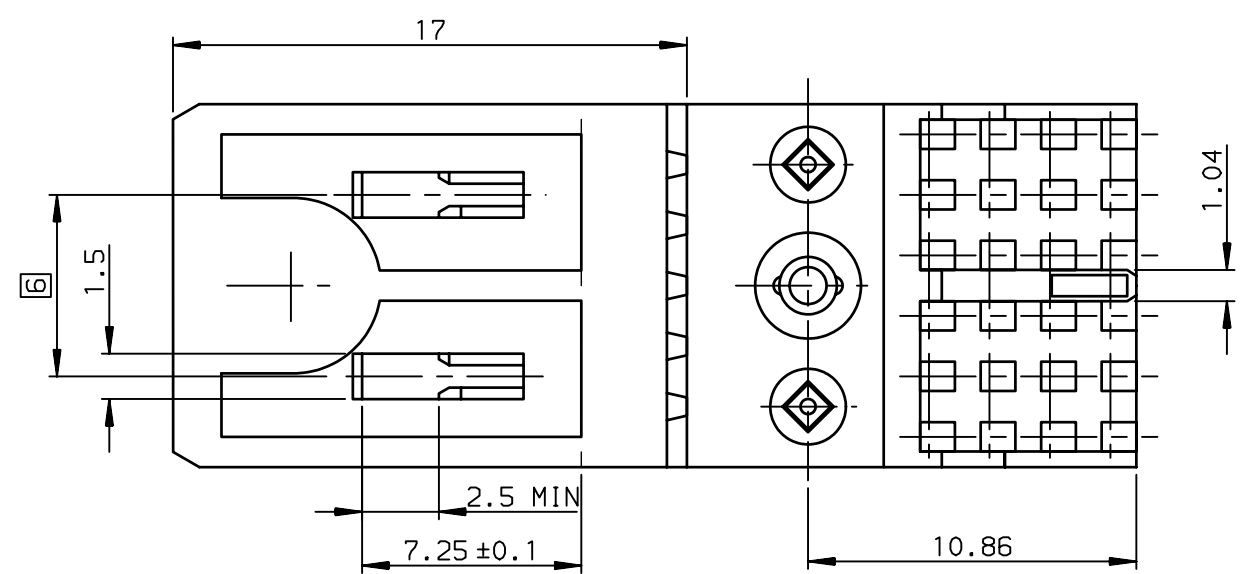
B

C

C

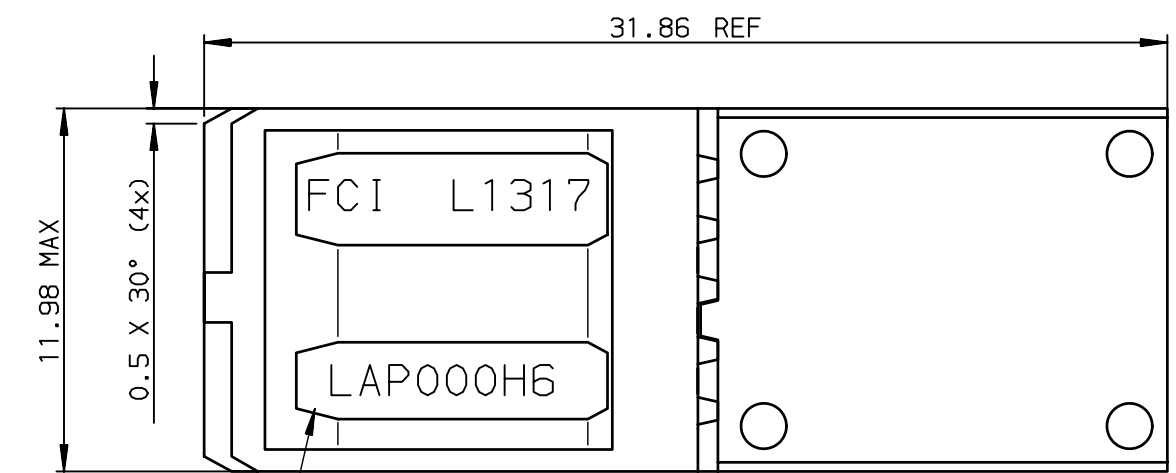
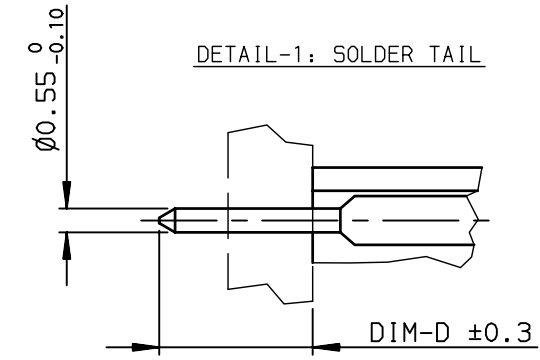
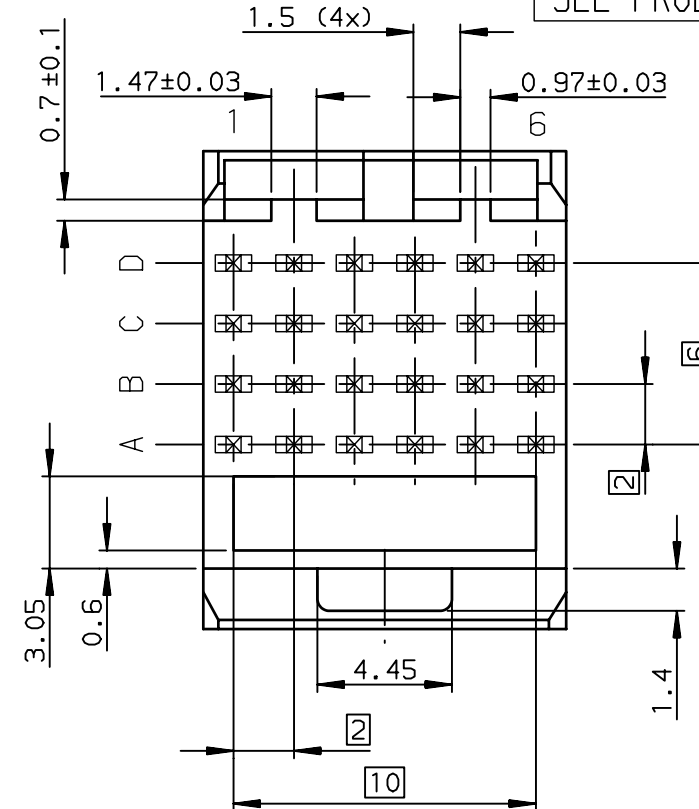
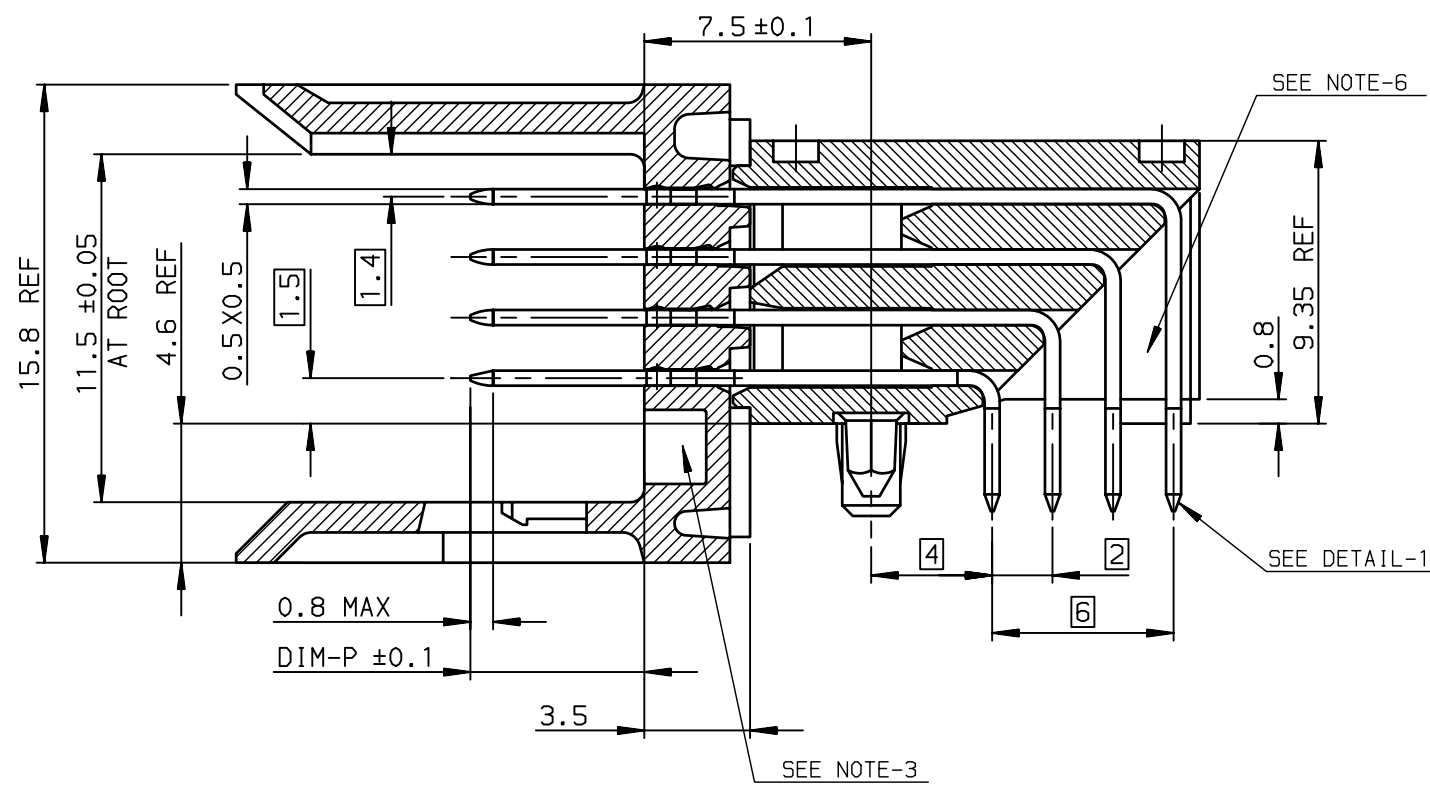
D

D



NOTE-1: NORMINATIVE REF = IEC-61076-4-104
 NOTE-2: ONE CENTER PEG FOR HOLD DOWN FORCE
 NOTE-3: CODING RECESS FOR 8MM EXTENDED KEYS
 NOTE-4: PRODUCT MARKING = PRODUCT NUMBER + BATCH CODE + FCI
 FOR 1 MODULE SIZE, END OF PART NUMBER ONLY
 NOTE-6: CENTRAL WALL WITH END REAR SUPPORT
 NOTE-7: PACKAGING IN TRAY + COVER
 IF SUFFIX "P" IS ADDED IN P/N PACKAGING IS IN TRAYS
 BUT CONNECTOR MARKING IS WITHOUT "P"
 EXAMPLE: HM1XXXXXXXXXH6P, MARKED HM1XXXXXXXXXH6

GENERAL CHARACTERISTICS AND ROHS INFORMATIONS:
 SEE PRODUCT SPECIFICATION GS-12-446



SEE NOTE-4

OTHERS INFORMATIONS, SEE DRW C-8626-0154-2

European Views

www.fciconnect.com		surface ISO 1302	tolerance std ISO 406 ISO 1101	projection mm
TOLERANCES UNLESS OTHERWISE SPECIFIED				
Dr	CHAMPION	1994/04/06	ANGULAR	0.X ± 0.1
Eng	LENOIR	1994/04/06	LINEAR	0.XX ± 0.1
Chr	LEGARE	1994/04/06	0.XX' ± 2'	0.XXX ± 0.1
Appr	LEGARE	1994/04/06	Product family	METRAL
size				A3
Scale				4
ECN				LS07-0184
Spec ref				-

rev	ecn no	dr	date
G	-	CHA	2003/06/26
H	LS05-001	MRA	2005/01/19
J	LS05-0056	LGO	2005/07/06
K	LS06-0097	LGO	2006/07/12
L	LS07-0184	MLE	2007/07/24
-	-	-	-
-	-	-	-

FCI METRAL RA HEADER WB CONVE
 4x6 CTS - STB - PUSH PEG
 catalog no -

dwg no C-8626-0154-1
 Rev. L

CUSTOMER sheet 1 of 2

1

2

3

4



Copyright FCI.

