



Chipsmall Limited consists of a professional team with an average of over 10 year of expertise in the distribution of electronic components. Based in Hongkong, we have already established firm and mutual-benefit business relationships with customers from,Europe,America and south Asia,supplying obsolete and hard-to-find components to meet their specific needs.

With the principle of "Quality Parts,Customers Priority,Honest Operation,and Considerate Service",our business mainly focus on the distribution of electronic components. Line cards we deal with include Microchip,ALPS,ROHM,Xilinx,Pulse,ON,Everlight and Freescale. Main products comprise IC,Modules,Potentiometer,IC Socket,Relay,Connector.Our parts cover such applications as commercial,industrial, and automotives areas.

We are looking forward to setting up business relationship with you and hope to provide you with the best service and solution. Let us make a better world for our industry!



## Contact us

Tel: +86-755-8981 8866 Fax: +86-755-8427 6832

Email & Skype: info@chipsmall.com Web: www.chipsmall.com

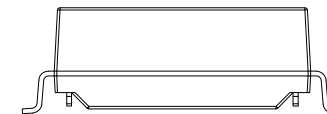
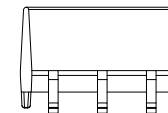
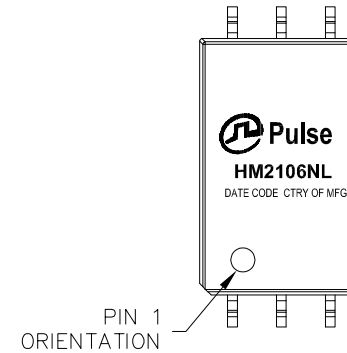
Address: A1208, Overseas Decoration Building, #122 Zhenhua RD., Futian, Shenzhen, China





NOTES:

1. ROHS COMPLIANT
2. STORAGE TEMPERATURE: -50°C TO +125°C
3. COMPLIANCE TO J-STD:
  - A. J-STD-002: SOLDERABILITY AT 245°C REFLOW PROFILE
  - B. J-STD-020: LEVEL 1, NO MOISTURE SENSITIVE
  - C. J-STD-075: R7, 245°C MAXIMUM THROUGH REFLOW SOLDER
4. TO ORDER TAPE & REEL PACKAGING ADD A "T" SUFFIX TO THE PART NUMBER(i.e HXXXXXXXXNL BECOMES HXXXXXXXXNLT).
5. PACKING SPECIFICATION:  
 REEL SIZE: 330mm  
 TAPE WIDTH: 32mm  
 TAPE PITCH: 16mm  
  
 COMPONENTS PER REEL: 600 pcs



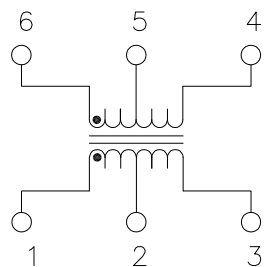
FINAL OUTLINE

© Copyright, 2017. Pulse Electronics Corp. All rights reserved. Pulse confidential & proprietary. (08/29/17)

PRODUCT DESCRIPTION	TLA DRAWING	PS DRAWING	SHEET	PART NO.	DATASHEET REV.
TRANSFORMER,4.3KVDC ISO,SGL,SMT	HM2106NL-P4	PS-00249.003-01	1 OF 5	HM2106NL	G



ELECTRICAL CHARACTERISTICS AT +25°C UNLESS OTHER SPECIFIED  
(FOR REFERENCE ONLY. USED FOR CUSTOMER INFORMATION.)

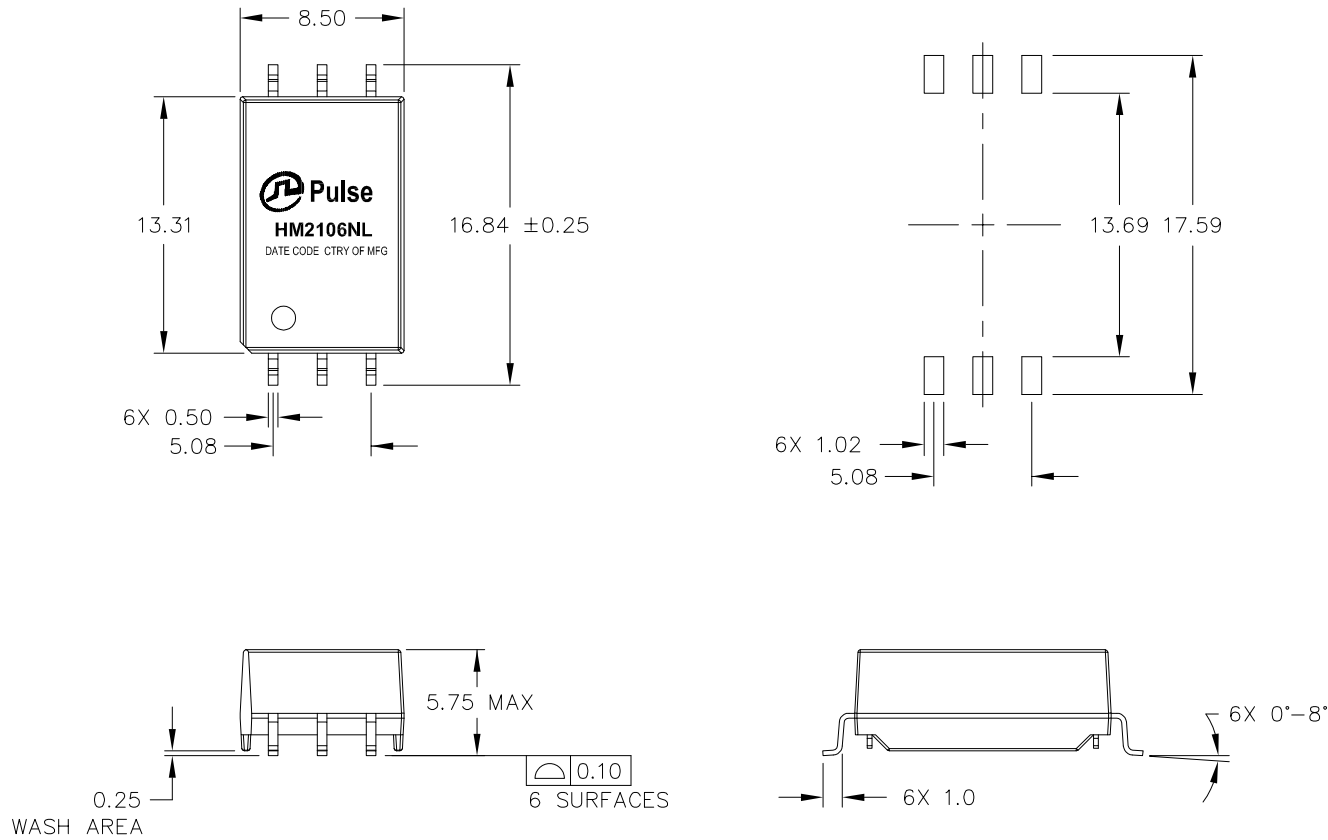


SCHEMATIC

PARAMETER	SPECIFICATIONS
QUALIFICATION	PER AEC-Q200
DESIGN CONSTRUCTION	BASIC INSULATION PER ISO6469/IEC60664
CREEPAGE DISTANCE	> 11mm
OPERATING TEMPERATURE	-40°C TO +125°C
TURNS RATIO	1.00 ± 2%
POLARITY	PER SCHEMATIC
DC RESISTANCE	0.45 OHMS MAX
▽ INDUCTANCE (OCL) AT 100 kHz, 100 mV	135 uH MIN, 370 uH MAX (-40°C ≤ T ≤ -30°C) 150 uH MIN, 370 uH MAX (-30°C < T ≤ 125°C)
LEAKAGE INDUCTANCE	0.50 uH MAX @ 100 kHz
▽ INSERTION LOSS	0.25 dB MAX @ 4 MHz
RETURN LOSS (Z OUT = 100 OHM ±1%)	20 dB MIN @ 4 MHz
▽ INPUT - OUTPUT ISOLATION	4300 VDC FOR 60 SECONDS WITH 1.0 mA MAX OF LEAKAGE CURRENT
INSULATION RESISTANCE	400 MEGAOHMS MINIMUM
WORKING VOLTAGE	1000 VDC FOR 15 YEARS

NOTE: "▽" IS SPECIAL CHARACTERISTIC.

PRODUCT DESCRIPTION	TLA DRAWING	PS DRAWING	SHEET	PART NO.	DATASHEET REV.
TRANSFORMER,4.3KVDC ISO,SGL,SMT	HM2106NL-P4	PS-00249.003-01	2 OF 5	HM2106NL	G

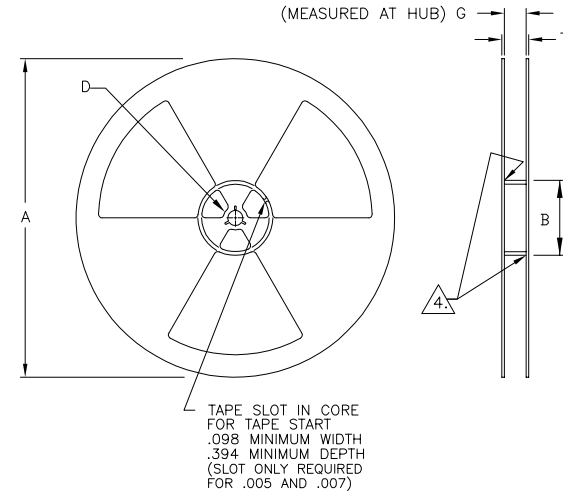
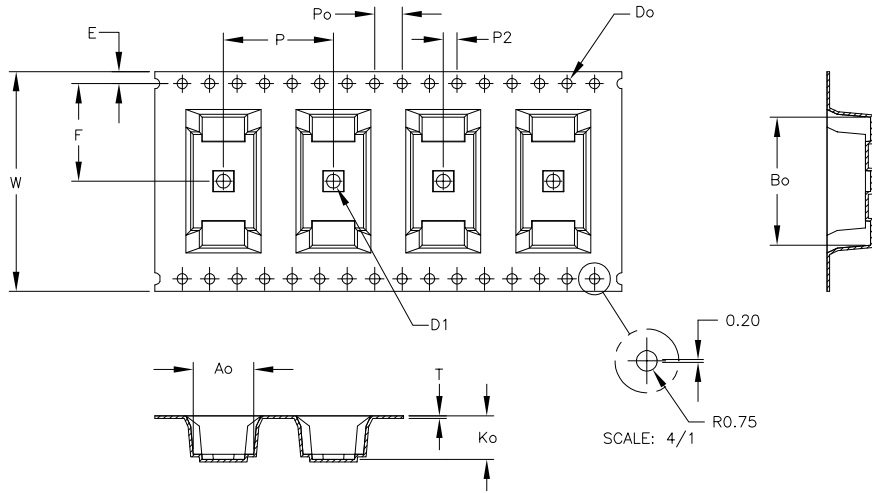


DIMENSIONS ARE IN MILLIMETERS WITH THE FOLLOWING  
TOLERANCES:  
X.X= ±0.25  
X.XX= ±0.13

© Copyright, 2017. Pulse Electronics Corp. All rights reserved. Pulse confidential & proprietary. (08/29/17)

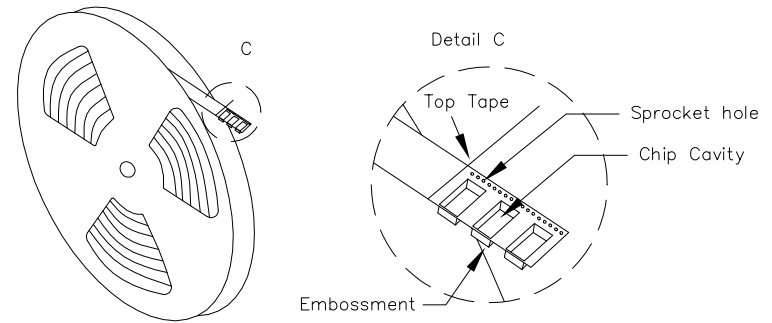
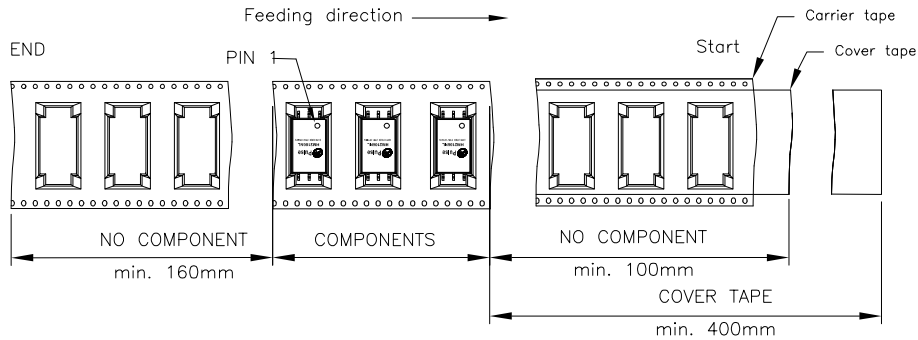
PRODUCT DESCRIPTION	TLA DRAWING	PS DRAWING	SHEET	PART NO.	DATASHEET REV.
TRANSFORMER,4.3KVDC ISO,SGL,SMT	HM2106NL-P4	PS-00249.003-01	3 OF 5	HM2106NL	G

USER DIRECTION OF FEED  
→



ITEM	W	Ao	Bo	Ko	K1	P	F	E	Do	D1	Po	P2	T
DIM	32.00 ±0.30	8.8 ±0.10	18.6 ±0.10	6.35 ±0.10		16.00 ±0.10	14.2 ±0.10	1.75 ±0.10	1.50 +0.10 -0.00	2.0 +0.10 -0.00	4.00 ±0.10	2.00 ±0.10	0.40 ±0.05

	A	B	D	T	G	G
Tolerance		min.	min.	max.	min.	max.
Tape width mm	330.00	100.00	20.20	38.4	32.4	34.4



© Copyright, 2017. Pulse Electronics Corp. All rights reserved. Pulse confidential & proprietary. (08/29/17)

PRODUCT DESCRIPTION	TLA DRAWING	PS DRAWING	SHEET	PART NO.	DATASHEET REV.
TRANSFORMER,4.3KVDC ISO,SGL,SMT	HM2106NL-P4	PS-00249.003-01	4 OF 5	HM2106NL	G



## REVISION HISTORY:

REV	DESCRIPTION
A	NEW DS
B	ADD "PER ISO6469/IEC60664"
C	CHANGE WORK VOLTAGE FORM 1600VDC TO 1000VDC.
D	ADD PACKAGE INFORMATION AND RELAX OCL SPEC.
E	ADD SC WITH "*"
F	CHANGE SC FROM "*" TO "▽"
G	CHANGE DIMENSION FROM 6X 1.00 TO 6X 1.0

© Copyright, 2017. Pulse Electronics Corp. All rights reserved. Pulse confidential & proprietary. (08/29/17)

PRODUCT DESCRIPTION	TLA DRAWING	PS DRAWING	SHEET	PART NO.	DATASHEET REV.
TRANSFORMER,4.3KVDC ISO,SGL,SMT	HM2106NL-P4	PS-00249.003-01	5 OF 5	HM2106NL	G