



Chipsmall Limited consists of a professional team with an average of over 10 year of expertise in the distribution of electronic components. Based in Hongkong, we have already established firm and mutual-benefit business relationships with customers from,Europe,America and south Asia,supplying obsolete and hard-to-find components to meet their specific needs.

With the principle of “Quality Parts,Customers Priority,Honest Operation,and Considerate Service”,our business mainly focus on the distribution of electronic components. Line cards we deal with include Microchip,ALPS,ROHM,Xilinx,Pulse,ON,Everlight and Freescale. Main products comprise IC,Modules,Potentiometer,IC Socket,Relay,Connector.Our parts cover such applications as commercial,industrial, and automotives areas.

We are looking forward to setting up business relationship with you and hope to provide you with the best service and solution. Let us make a better world for our industry!



## Contact us

Tel: +86-755-8981 8866 Fax: +86-755-8427 6832

Email & Skype: info@chipsmall.com Web: www.chipsmall.com

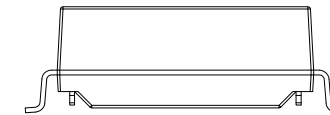
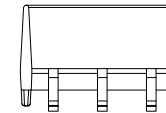
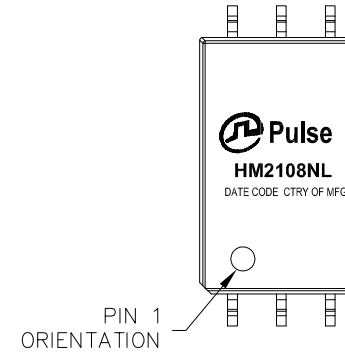
Address: A1208, Overseas Decoration Building, #122 Zhenhua RD., Futian, Shenzhen, China





NOTES:

1. ROHS COMPLIANT
2. STORAGE TEMPERATURE: -50°C TO +125°C
3. COMPLIANCE TO J-STD:
  - A. J-STD-002: SOLDERABILITY AT 245°C REFLOW PROFILE
  - B. J-STD-020: LEVEL 1, NO MOISTURE SENSITIVE
  - C. J-STD-075: R7, 245°C MAXIMUM THROUGH REFLOW SOLDER
4. TO ORDER TAPE & REEL PACKAGING ADD A "T" SUFFIX TO THE PART NUMBER(i.e HXXXXXXXXNL BECOMES HXXXXXXXXNLT).
5. PACKING SPECIFICATION:  
 REEL SIZE: 330mm  
 TAPE WIDTH: 32mm  
 TAPE PITCH: 16mm  
  
 COMPONENTS PER REEL: 600 pcs



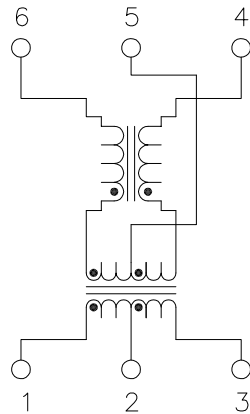
FINAL OUTLINE

© Copyright, 2017. Pulse Electronics Corp. All rights reserved. Pulse confidential & proprietary. (09/01/17)

PRODUCT DESCRIPTION	TLA DRAWING	PS DRAWING	SHEET	PART NO.	DATASHEET REV.
TRANSFORMER/CMC,4.3kVDC ISO,SGL,SMT	HM2108NL-P3	PS-00249.003-01	1 OF 5	HM2108NL	D



ELECTRICAL CHARACTERISTICS AT +25°C UNLESS OTHER SPECIFIED  
(FOR REFERENCE ONLY. USED FOR CUSTOMER INFORMATION.)

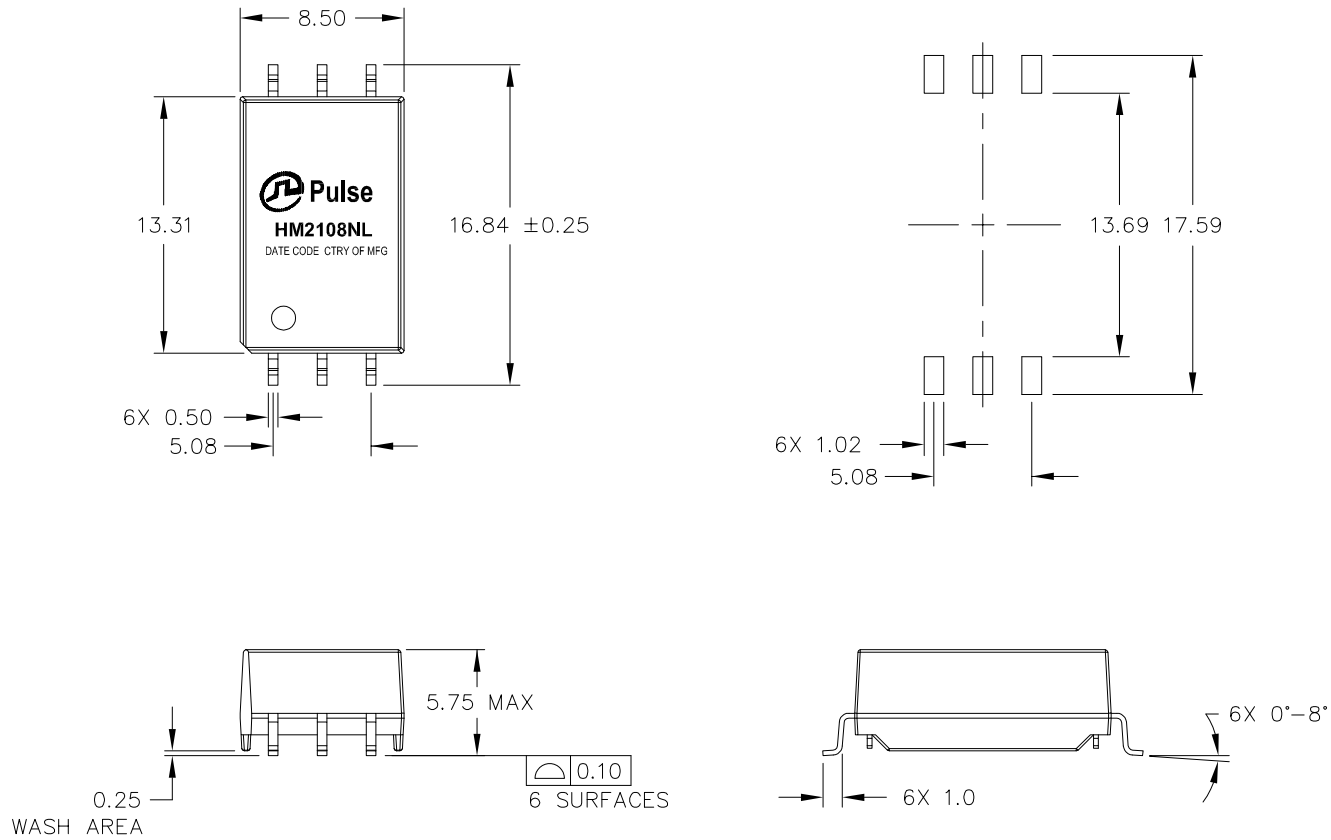


SCHEMATIC

PARAMETER	SPECIFICATIONS	
QUALIFICATION	PER AEC-Q200	
DESIGN CONSTRUCTION	BASIC INSULATION PER ISO6469/IEC60664	
CREEPAGE DISTANCE	> 11mm	
OPERATING TEMPERATURE	-40°C TO +125°C	
TURNS RATIO	1.00 ± 2%	
POLARITY	PER SCHEMATIC	
DC RESISTANCE	TRANSFORMER SIDE	CM CHOKE SIDE
	0.45 OHMS MAX	0.85 OHMS MAX
▽ INDUCTANCE (OCL) AT 100 kHz, 100 mV	135 uH MIN, 370 uH MAX (-40°C ≤ T ≤ -30°C) 150 uH MIN, 370 uH MAX (-30°C < T ≤ 125°C)	
LEAKAGE INDUCTANCE	0.50 uH MAX @ 100 kHz	
▽ INSERTION LOSS	0.35 dB MAX @ 4 MHz	
RETURN LOSS (Z OUT = 100 OHM ±1%)	20 dB MIN @ 4 MHz	
COMMON MODE REJECTION RATIO	1-10 MHz	10-1000 MHz
	-35 dB MIN	-20 dB MIN
▽ INPUT - OUTPUT ISOLATION	4300 VDC FOR 60 SECONDS WITH 1.0 mA MAX OF LEAKAGE CURRENT	
INSULATION RESISTANCE	400 MEGAOHMS MINIMUM	
WORKING VOLTAGE	1000 VDC FOR 15 YEARS	

NOTE: "▽" IS SPECIAL CHARACTERISTIC.

PRODUCT DESCRIPTION	TLA DRAWING	PS DRAWING	SHEET	PART NO.	DATASHEET REV.
TRANSFORMER/CMC,4.3kVDC ISO,SGL,SMT	HM2108NL-P3	PS-00249.003-01	2 OF 5	HM2108NL	D

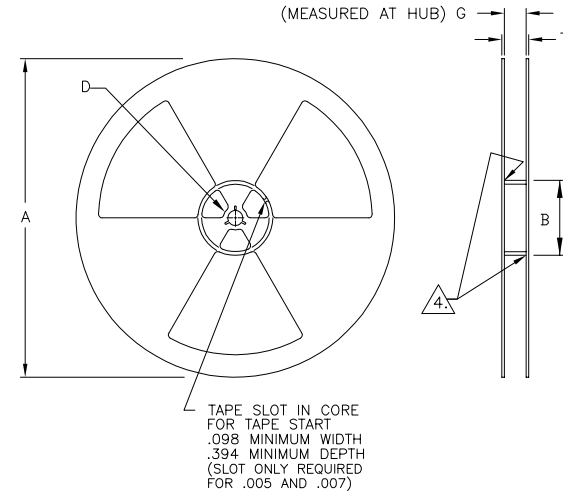
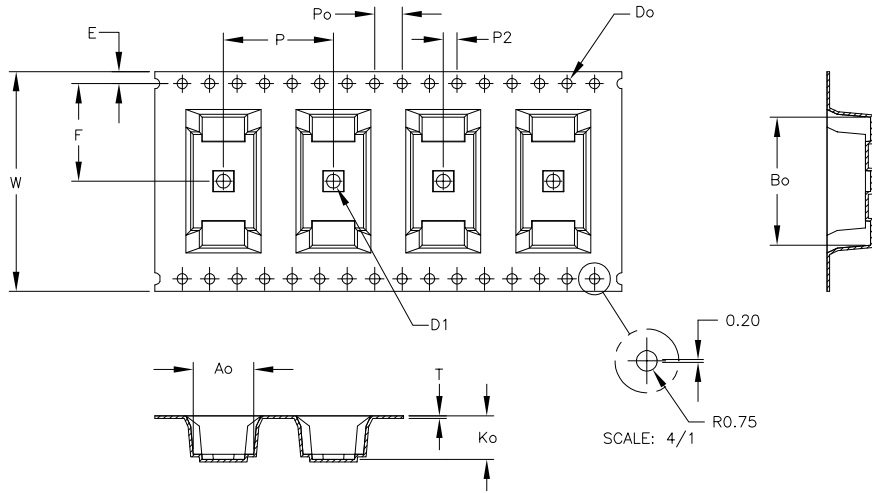


DIMENSIONS ARE IN MILLIMETERS WITH THE FOLLOWING  
TOLERANCES:  
X.X= ±0.25  
X.XX= ±0.13

© Copyright, 2017. Pulse Electronics Corp. All rights reserved. Pulse confidential & proprietary. (09/01/17)

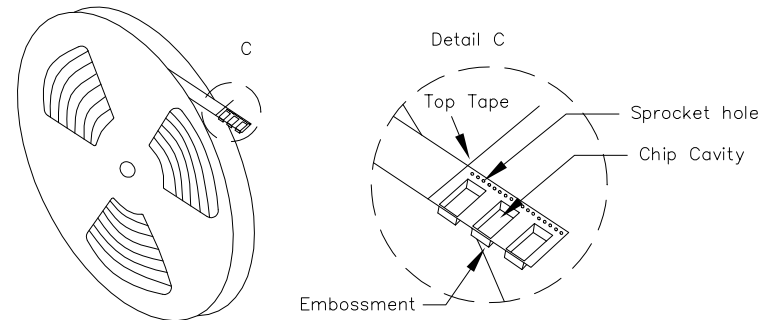
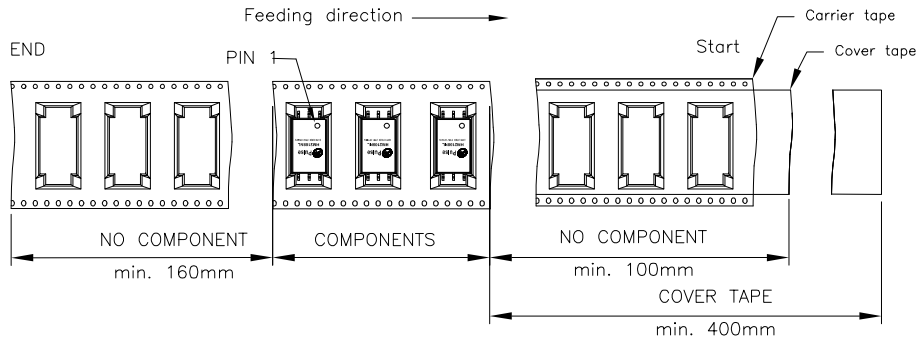
PRODUCT DESCRIPTION	TLA DRAWING	PS DRAWING	SHEET	PART NO.	DATASHEET REV.
TRANSFORMER/CMC,4.3kVDC ISO,SGL,SMT	HM2108NL-P3	PS-00249.003-01	3 OF 5	HM2108NL	D

USER DIRECTION OF FEED  
→



ITEM	W	Ao	Bo	Ko	K1	P	F	E	Do	D1	Po	P2	T
DIM	32.00 ±0.30	8.8 ±0.10	18.6 ±0.10	6.35 ±0.10		16.00 ±0.10	14.2 ±0.10	1.75 ±0.10	1.50 +0.10 -0.00	2.0 +0.10 -0.00	4.00 ±0.10	2.00 ±0.10	0.40 ±0.05

	A	B	D	T	G	G
Tolerance		min.	min.	max.	min.	max.
Tape width mm	330.00	100.00	20.20	38.4	32.4	34.4



© Copyright, 2017. Pulse Electronics Corp. All rights reserved. Pulse confidential & proprietary. (09/01/17)

PRODUCT DESCRIPTION	TLA DRAWING	PS DRAWING	SHEET	PART NO.	DATASHEET REV.
TRANSFORMER/CMC,4.3kVDC ISO,SGL,SMT	HM2108NL-P3	PS-00249.003-01	4 OF 5	HM2108NL	D



## REVISION HISTORY:

REV	DESCRIPTION
A	NEW DS
B	CHANGE QUALIFICATION AND ISOLATION; ADD DESIGN CONSTRUCTION AND CREEPAGE DISTANCE, INSULATION RESISTANCE
C	UPDATE OCL AND ADD PACKING SPECIFICATION
D	ADD SC WITH "▽" AND UPDATE OCL ; AND CHANGE DIMENSION FROM 6X 1.00 TO 6X 1.0

© Copyright, 2017. Pulse Electronics Corp. All rights reserved. Pulse confidential & proprietary. (09/01/17)

PRODUCT DESCRIPTION	TLA DRAWING	PS DRAWING	SHEET	PART NO.	DATASHEET REV.
TRANSFORMER/CMC,4.3kVDC ISO,SGL,SMT	HM2108NL-P3	PS-00249.003-01	5 OF 5	HM2108NL	D