



Chipsmall Limited consists of a professional team with an average of over 10 year of expertise in the distribution of electronic components. Based in Hongkong, we have already established firm and mutual-benefit business relationships with customers from,Europe,America and south Asia,supplying obsolete and hard-to-find components to meet their specific needs.

With the principle of “Quality Parts,Customers Priority,Honest Operation,and Considerate Service”,our business mainly focus on the distribution of electronic components. Line cards we deal with include Microchip,ALPS,ROHM,Xilinx,Pulse,ON,Everlight and Freescale. Main products comprise IC,Modules,Potentiometer,IC Socket,Relay,Connector.Our parts cover such applications as commercial,industrial, and automotives areas.

We are looking forward to setting up business relationship with you and hope to provide you with the best service and solution. Let us make a better world for our industry!



## Contact us

Tel: +86-755-8981 8866 Fax: +86-755-8427 6832

Email & Skype: info@chipsmall.com Web: www.chipsmall.com

Address: A1208, Overseas Decoration Building, #122 Zhenhua RD., Futian, Shenzhen, China

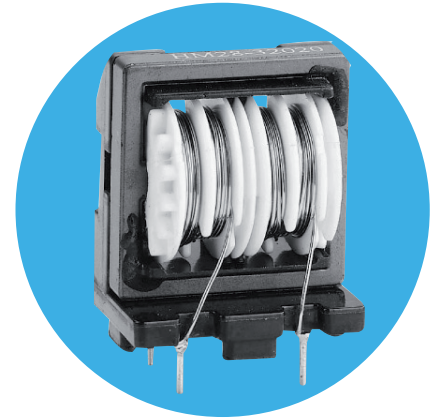


## Buckle Style Core Common-Mode Chokes

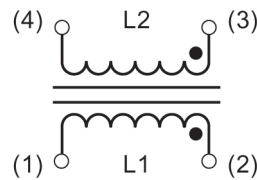
### Model HM28 Series

#### Features

- Insulation Resistance, Minimum 100 mΩ
- Voltage Rating 250VAC
- Temperature Rise, Maximum 40°C
- RoHS Compliant



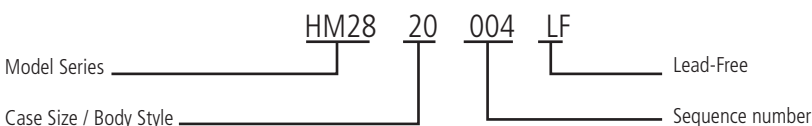
### Schematic



### Specifications @ 25°C / Packaging

Part Number	Current Rating Amps AC	Inductance @ 1.0 kHz mH Min.	DCR Ω Max.	Figure	Carton Box Qty (Units)	Part Number	Current Rating Amps AC	Inductance @ 1.0 kHz mH Min.	DCR Ω Max.	Figure	Carton Box Qty (Units)
HM28-20001LF	0.5	9	1.40	1	400	HM28-25033LF	3.0	5	0.10	4	330
HM28-20002LF	0.6	4.5	0.75	1	400	HM28-32018LF	0.5	36	2.70	5	400
HM28-20003LF	0.7	2.5	0.40	1	400	HM28-32019LF	0.6	24	1.60	5	400
HM28-20004LF	0.9	1.1	0.25	1	400	HM28-32020LF	0.7	9.2	0.75	5	400
HM28-20005LF	1.0	0.45	0.13	1	400	HM28-32021LF	0.9	7.8	0.50	5	400
HM28-24006LF	0.5	9	1.40	2	400	HM28-32022LF	1.0	5.2	0.34	5	400
HM28-24007LF	0.6	4.5	0.75	2	400	HM28-32023LF	1.5	3.6	0.25	5	400
HM28-24008LF	0.7	2.5	0.40	2	400	HM28-32024LF	2.0	3.2	0.20	5	400
HM28-24009LF	0.9	1.1	0.25	2	400	HM28-35034LF	0.5	120	2.60	6	231
HM28-24010LF	1.0	0.45	0.13	2	400	HM28-35035LF	0.6	92	2.00	6	231
HM28-24011LF	0.5	36	2.70	3	300	HM28-35036LF	0.7	66	1.50	6	231
HM28-24012LF	0.6	24	1.60	3	300	HM28-35037LF	0.9	36	0.80	6	231
HM28-24013LF	0.7	9.2	0.75	3	300	HM28-35038LF	1.0	25	0.60	6	231
HM28-24014LF	0.9	7.8	0.50	3	300	HM28-35039LF	1.5	15.5	0.32	6	231
HM28-24015LF	1.0	5.2	0.34	3	300	HM28-35040LF	2.0	10	0.25	6	231
HM28-24016LF	1.5	3.6	0.25	3	300	HM28-35041LF	2.5	8	0.19	6	231
HM28-24017LF	2.0	3.2	0.20	3	300	HM28-35042LF	3.0	5	0.10	6	231
HM28-25025LF	0.5	120	2.60	4	330	HM28-42051LF	1.5	33	0.50	7	144
HM28-25026LF	0.6	92	2.00	4	330	HM28-42052LF	1.8	22	0.40	7	144
HM28-25027LF	0.7	66	1.50	4	330	HM28-42053LF	2.0	18	0.30	7	144
HM28-25028LF	0.9	36	0.80	4	330	HM28-42054LF	2.5	12	0.20	7	144
HM28-25029LF	1.0	25	0.60	4	330	HM28-42055LF	2.7	10	0.15	7	144
HM28-25030LF	1.5	15.5	0.32	4	330	HM28-42056LF	3.0	8.1	0.12	7	144
HM28-25031LF	2.0	10	0.25	4	330	HM28-42057LF	3.5	6	0.10	7	144
HM28-25032LF	2.5	8	0.19	4	330	HM28-42058LF	4.0	4.7	0.08	7	144

### Ordering Information



#### General Note

TT Electronics reserves the right to make changes in product specification without notice or liability. All information is subject to TT Electronics' own data and is considered accurate at time of going to print.

## Electrical Characteristics

Figure 1

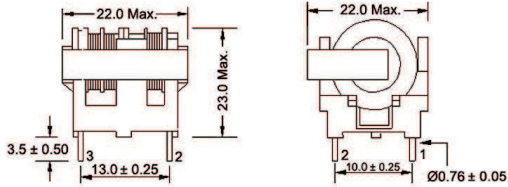


Figure 2

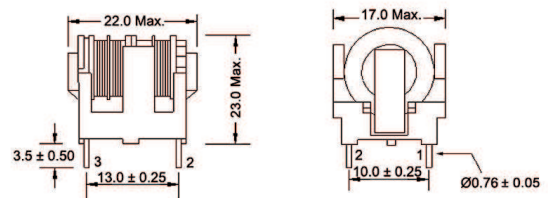


Figure 3

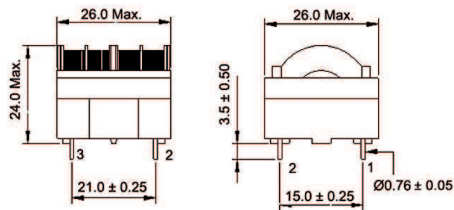


Figure 4

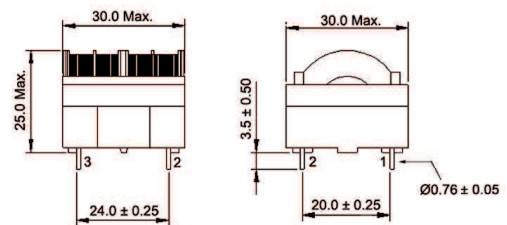


Figure 5

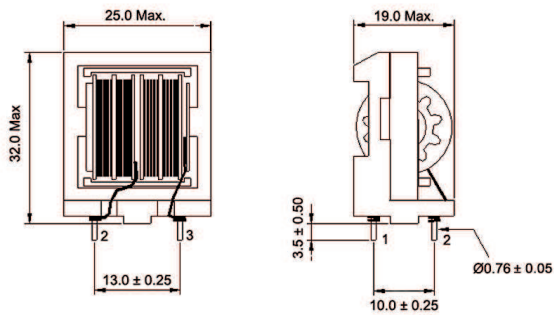


Figure 6

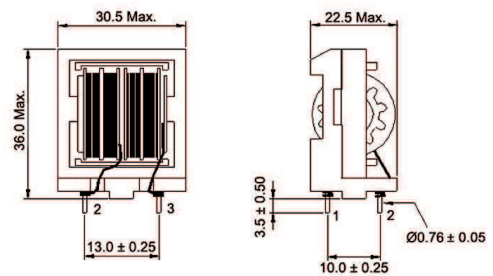
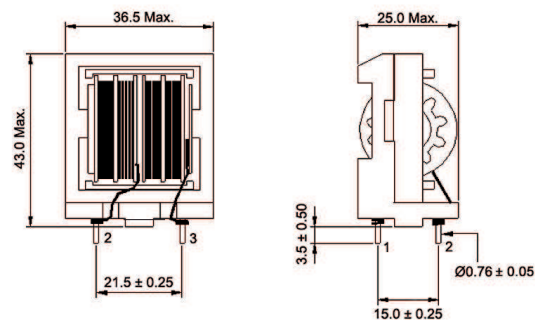


Figure 7



**General Note**

TT Electronics reserves the right to make changes in product specification without notice or liability.  
All information is subject to TT Electronics' own data and is considered accurate at time of going to print.