



Chipsmall Limited consists of a professional team with an average of over 10 year of expertise in the distribution of electronic components. Based in Hongkong, we have already established firm and mutual-benefit business relationships with customers from,Europe,America and south Asia,supplying obsolete and hard-to-find components to meet their specific needs.

With the principle of “Quality Parts,Customers Priority,Honest Operation,and Considerate Service”,our business mainly focus on the distribution of electronic components. Line cards we deal with include Microchip,ALPS,ROHM,Xilinx,Pulse,ON,Everlight and Freescale. Main products comprise IC,Modules,Potentiometer,IC Socket,Relay,Connector.Our parts cover such applications as commercial,industrial, and automotives areas.

We are looking forward to setting up business relationship with you and hope to provide you with the best service and solution. Let us make a better world for our industry!



## Contact us

Tel: +86-755-8981 8866 Fax: +86-755-8427 6832

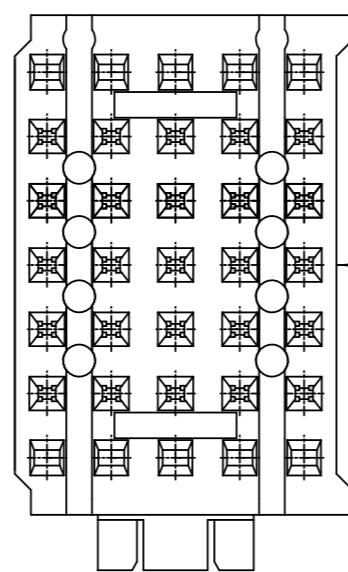
Email & Skype: info@chipsmall.com Web: www.chipsmall.com

Address: A1208, Overseas Decoration Building, #122 Zhenhua RD., Futian, Shenzhen, China

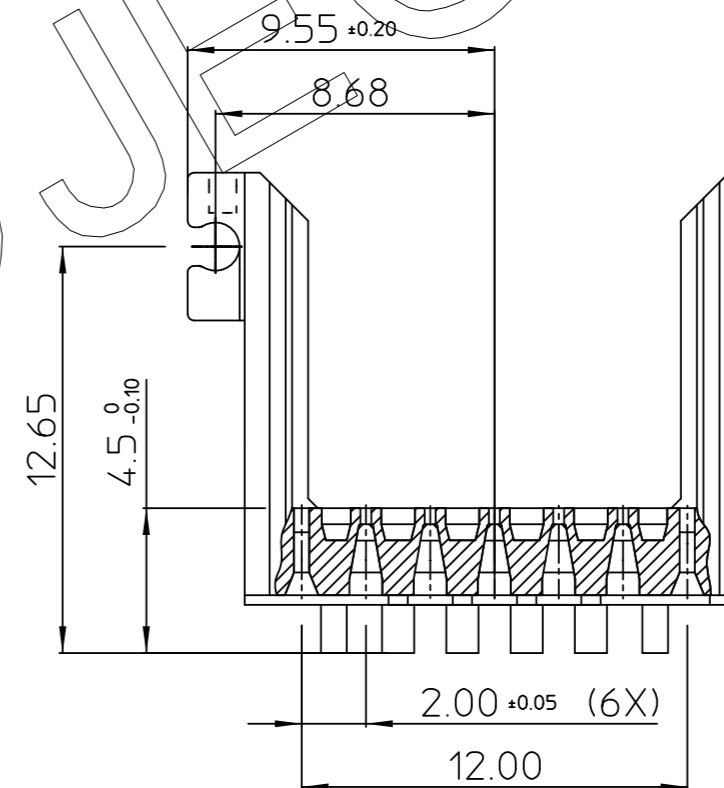
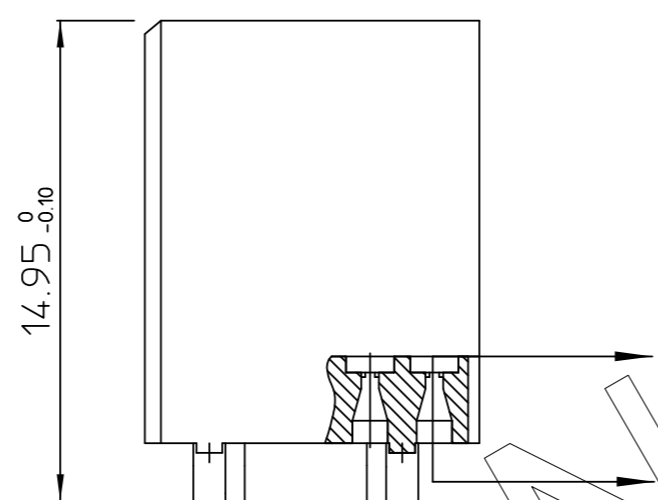


GEN. ST.	01	02	03	04	05	06	07	08	0D	50	60	70	80	90																	
INT. ST.	10	11	12	13	14	18	20	31	32	33	34	38	39	40	42	43	44	45	46	48	56	70	72	73	75	76	81	82	83	84	88

REV.	DATE	DESCRIPTION	BY	C'K'D'
A	13-09-01	CONVERSION REVISION 04	KN	



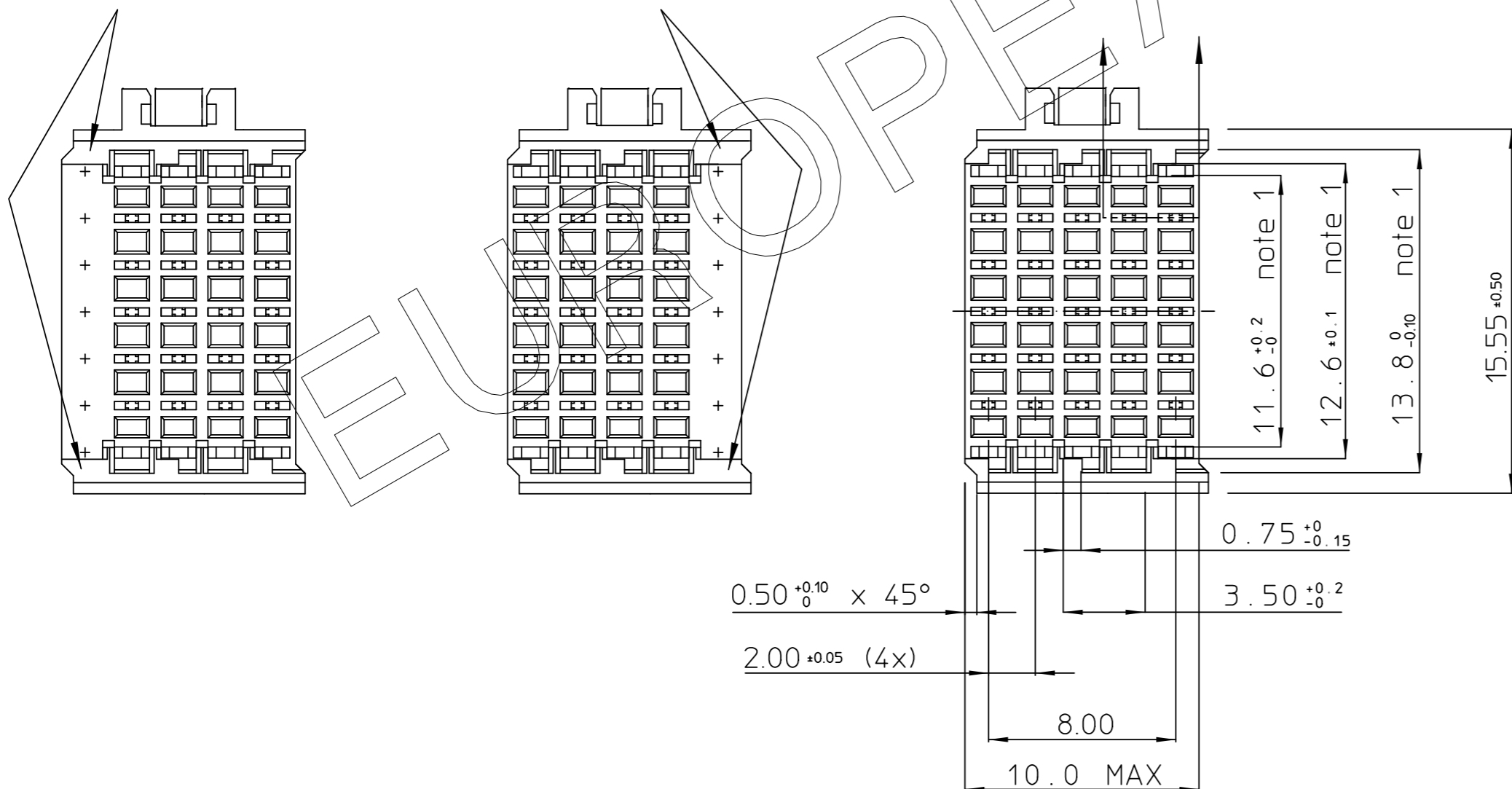
CAT. NR. MARKING



DISCRIMINATION IN POS. 1

DISCRIMINATION IN POS. 5

NO DISCRIMINATION



PART NR.		
HM2H04P115	NO DISCRIMINATION	AVAILABLE
HM2H03P115	DISCRIMINATION IN POS. 5	AVAILABLE
HM2H02P115	DISCRIMINATION IN POS. 1	AVAILABLE

NOTES: 1. MEASURED AT THE BOTTOM  
2. MATERIAL: GLASSREINFORCED POLYESTER UL94 - V0

1DEC ±0,2 1DEC 2DEC ±0,1 2DEC ANGLES ±1° HOEKEN	<b>APPR.</b>	<b>DATE</b>	<b>SIGN.</b>	REAR HEADER WITH LOCKING DEVICE (25 POS)
WE RESERVE THE RIGHT TO CHANGE DIMENSIONS OR REQUIREMENTS WITHOUT PRIOR NOTICE.	DRAFT	05-01-95	W.Panis	<b>CAT. No.</b> HM2H0-P115
ALL DIMENSIONS IN MM	CHECKED			SCALE
	PR. MGR.			<b>FCI</b> FCI MECHELEN N.V. A. SPINOYSTRAAAT 8, 2800 MECHELEN
ALLE AFMETINGEN IN MM	PR. ENG. MGR.			3 / 1
	PR. MGT. MGR.			<b>REFERENCES / REFERENTIES</b>
				BS,C ,201630,034
				A
				DRAWING No. CUSTOMER DRAWING REVISION

THIS IS OUR EXCLUSIVE PROPERTY. IT IS NOT TO BE COPIED, REPRINTED OR DISCLOSED TO A THIRD PARTY, NOR USED FOR MANUFACTURING WITHOUT OUR WRITTEN CONSENT, AND HAS TO BE RETURNED TO US IN CASE OF NO USAGE

DIT IS ONZE EIGENDOM EN MAG NOCH NAGEMAAKT, HERDRUKT, OVERGEMAAKT AAN DERDEN, NOCH VOOR FABRIKATIE GEBRUIKT WORDEN, ZONDER ONZE SCHRIFTELIJKE TOELATING. BIJ NIET GEBRUIK IS TERUGZENDING VERPLICHT.