



Chipsmall Limited consists of a professional team with an average of over 10 year of expertise in the distribution of electronic components. Based in Hongkong, we have already established firm and mutual-benefit business relationships with customers from,Europe,America and south Asia,supplying obsolete and hard-to-find components to meet their specific needs.

With the principle of “Quality Parts,Customers Priority,Honest Operation,and Considerate Service”,our business mainly focus on the distribution of electronic components. Line cards we deal with include Microchip,ALPS,ROHM,Xilinx,Pulse,ON,Everlight and Freescale. Main products comprise IC,Modules,Potentiometer,IC Socket,Relay,Connector.Our parts cover such applications as commercial,industrial, and automotives areas.

We are looking forward to setting up business relationship with you and hope to provide you with the best service and solution. Let us make a better world for our industry!



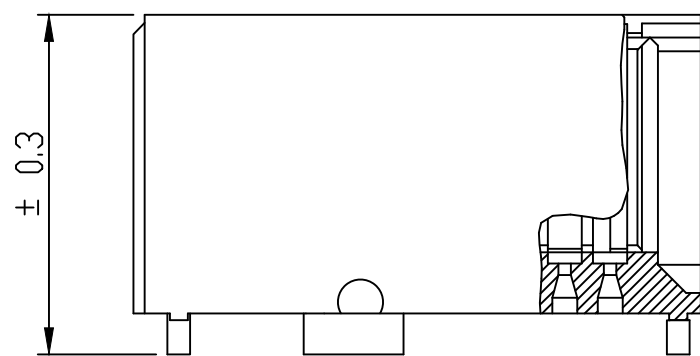
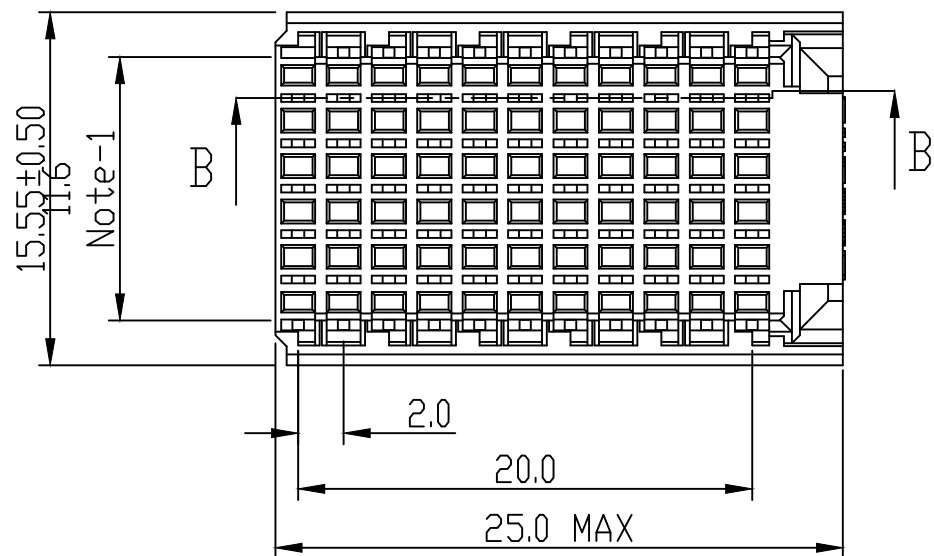
Contact us

Tel: +86-755-8981 8866 Fax: +86-755-8427 6832

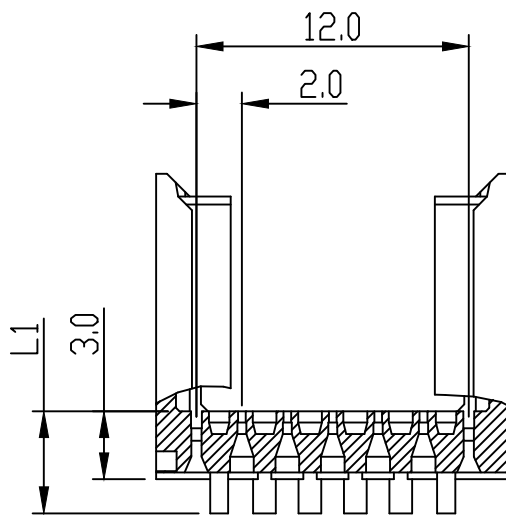
Email & Skype: info@chipsmall.com Web: www.chipsmall.com

Address: A1208, Overseas Decoration Building, #122 Zhenhua RD., Futian, Shenzhen, China

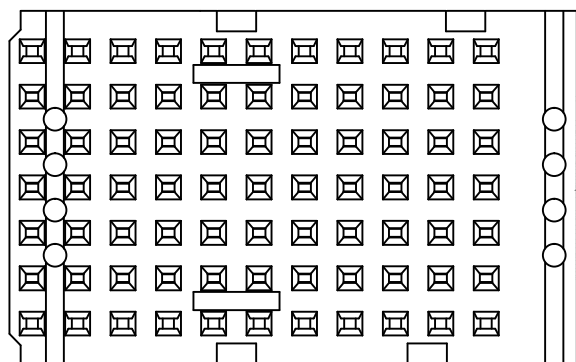




SECTION B-B
SCALE 3:1



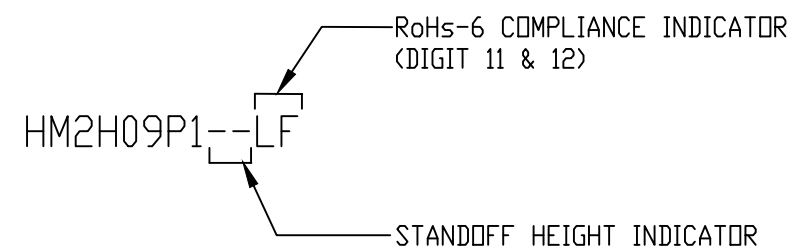
SECTION C-C



ABRIDGED
CAT No
MARKED

NOTES:

1. MEASURED AT THE BOTTOM
2. MATERIAL : GLASS REINFORCED POLYESTER UL94-V0
3. THIS PRODUCT MEETS EUROPEAN UNION DIRECTIVES AND OTHER COUNTRY REGULATIONS AS DESCRIBED IN GS-47-0004
4. PARTS WITH AND WITHOUT SUFFIX LF TO THE PRODUCT PART NUMBER ARE IDENTICAL IN FORM , FIT AND FUNCTION LF SUFFIX IS ADDED TO THE PART NUMBER OF THIS PRODUCT TO HAVE UNIFORM IDENTIFICATION OF ALL RoHs COMPATIBLE PRODUCTS



CAT. NO.	L1	L2	
HM2H09P1LF	3.0	13.45	AVAILABLE
HM2H09P109LF	3.9	14.35	AVAILABLE
HM2H09P111LF	4.1	14.55	AVAILABLE
HM2H09P113LF	4.3	14.75	AVAILABLE
HM2H09P115LF	4.5	14.95	AVAILABLE
HM2H09P117LF	4.7	15.15	AVAILABLE
HM2H09P119LF	4.9	15.35	AVAILABLE
HM2H09P122LF	5.2	15.65	AVAILABLE
HM2H09P130LF	6.0	16.45	AVAILABLE

mat'l. code				surface ISO 1302 ✓		tolerance ISO 406 ISO 1101		projection		product family MILLIPACS					
litr				ecn no		dr		date		tolerances unless otherwise specified		title			
B				105-0241		AB		2005-11-22		angles		MM		MPACS 5+2 ROW SHROUD STR HDR (TYPE-C) (11 POS)	
C				106-0091		AB		2006-06-26		linear		← →			
D				106-0096		VV		2006-07-04		0°±1°		scale -			
E				ELX-I-18259		AKA		2014-07-09		dr		ALEX BABU		2008-12-16	
										enr		ALEX BABU		2008-12-16	
										chr		BIJU K PAUL		2008-12-16	
										appd		BIJU K PAUL		2008-12-16	
sheet index		revision sheet		E		1									



dwg no **BS, C ,201630, 031** sheet 1 of 1 size **A3**
type Product Customer Drawing