



Chipsmall Limited consists of a professional team with an average of over 10 year of expertise in the distribution of electronic components. Based in Hongkong, we have already established firm and mutual-benefit business relationships with customers from,Europe,America and south Asia,supplying obsolete and hard-to-find components to meet their specific needs.

With the principle of "Quality Parts,Customers Priority,Honest Operation,and Considerate Service",our business mainly focus on the distribution of electronic components. Line cards we deal with include Microchip,ALPS,ROHM,Xilinx,Pulse,ON,Everlight and Freescale. Main products comprise IC,Modules,Potentiometer,IC Socket,Relay,Connector.Our parts cover such applications as commercial,industrial, and automotives areas.

We are looking forward to setting up business relationship with you and hope to provide you with the best service and solution. Let us make a better world for our industry!



## Contact us

Tel: +86-755-8981 8866 Fax: +86-755-8427 6832

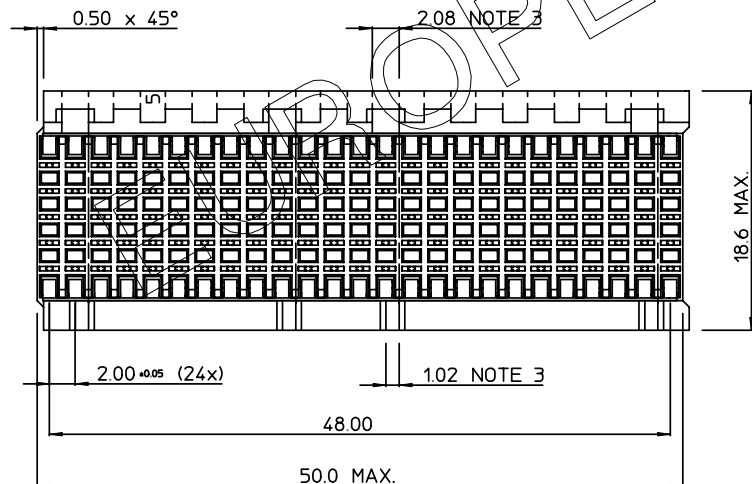
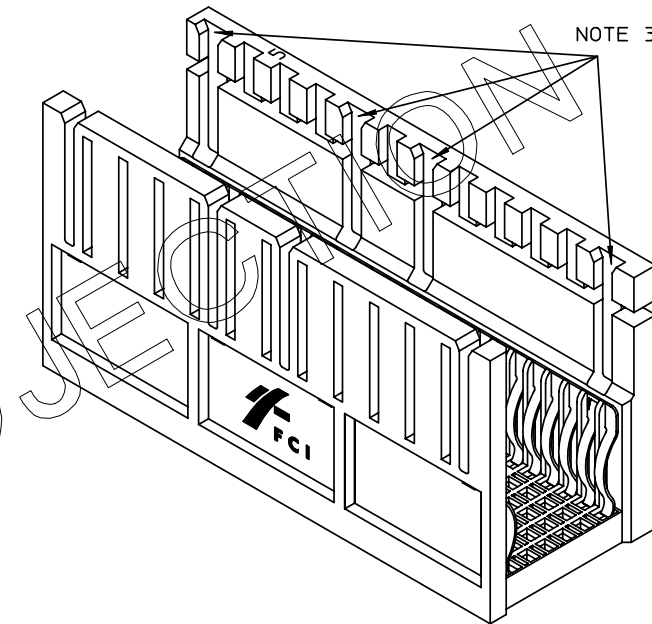
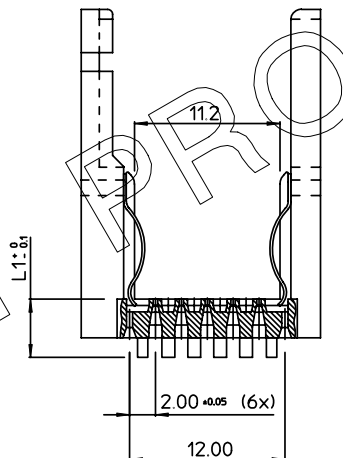
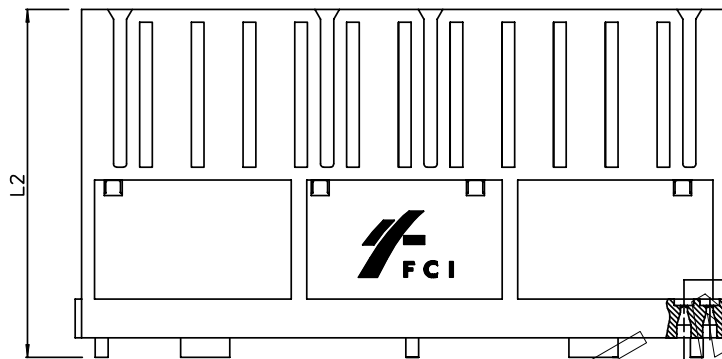
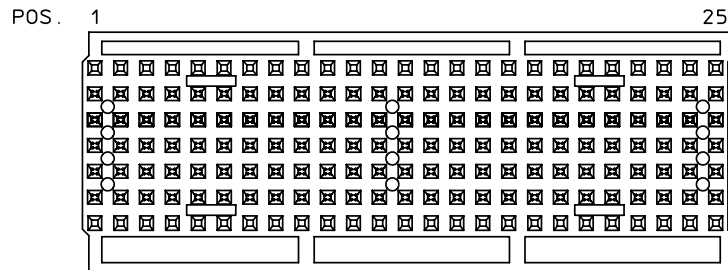
Email & Skype: info@chipsmall.com Web: www.chipsmall.com

Address: A1208, Overseas Decoration Building, #122 Zhenhua RD., Futian, Shenzhen, China



GEN. ST.	01	02	03	04	05	06	07	08	0D	50	60	70	80	90																	
INT. ST.	10	11	12	13	14	18	20	31	32	33	34	38	39	40	42	43	44	45	46	48	56	70	72	73	75	76	81	82	83	84	88

REV.	DATE	DESCRIPTION	BY	C'K'D'
A	2003-01-21	CONVERSION REVISION OE	KN	
B	2006-08-03	106-0119	VIVEK	BKP



PART NR.	L1	L2
HM2H**P16	3.0	25.4
HM2H**P1096	3.9	26.3
HM2H**P1116	4.1	26.5
HM2H**P1156	4.5	26.9
HM2H**P1196	4.9	27.3

NOTES :

- MATERIAL: HOUSING : GLASSREINFORCED POLYESTER UL94-V0  
SPRING CONTACTS : COPPER ALLOY
- PLATING : 2.5 - 6.4 μ SnPb (90/10) OVER 1.2 - 3.8 μ Ni.
- LOCATIONS OF SLOTS TO BE DEFINED BY CUSTOMER. AS EXAMPLE THE SHROUD TYPE HM2H26P1--6 IS DRAWN WITH DISCRIMINATION - POLARISATION SLOTS IN POSITIONS 2, 10, 14 AND 24.

1DEC ± 0,2 2DEC ± 0,1 ANGLES ± 1°	<b>APPR.</b> DRAFT CHECKED	<b>DATE</b> 1995-09-07	<b>SIGN.</b> G.Droesbeke	MRV SHROUD 50 MM / SHIELDED <b>CAT. No.</b> HM2H**P1--6
WE RESERVE THE RIGHT TO CHANGE DIMENSIONS OR REQUIREMENTS WITHOUT PRIOR NOTICE.	PROD. MGR. PR. ENG. MGR. PR. MGT. MGR.			<b>FCI</b> www.fciconnect.com
ALL DIMENSIONS IN MM	<b>REFERENCES</b>			SCALE 2.5/1
				BS,C ,201995,002 DRAWING No. CUSTOMER DRAWING
				B REVISION

THIS IS OUR EXCLUSIVE PROPERTY. IT IS NOT TO BE COPIED, REPRINTED OR DISCLOSED TO A THIRD PARTY, NOR USED FOR MANUFACTURING WITHOUT OUR WRITTEN CONSENT, AND HAS TO BE RETURNED TO US IN CASE OF NO USAGE

DIT IS ONZE EIGENDOM EN MAG NIET NAGEMAAKT, HERDRUKT, OVERGEMAAKT AAN DERDEN, NOCH VOOR FABRIKATIE GEBRUIKT WORDEN, ZONDER ONZE SCHRIFTELIJKE TOELATING. BIJ NIET GEBRUIK IS TERUGZENDING VERPLICHT.